

LISTA DE APLICACIONES - BUYERS GUIDE

182316

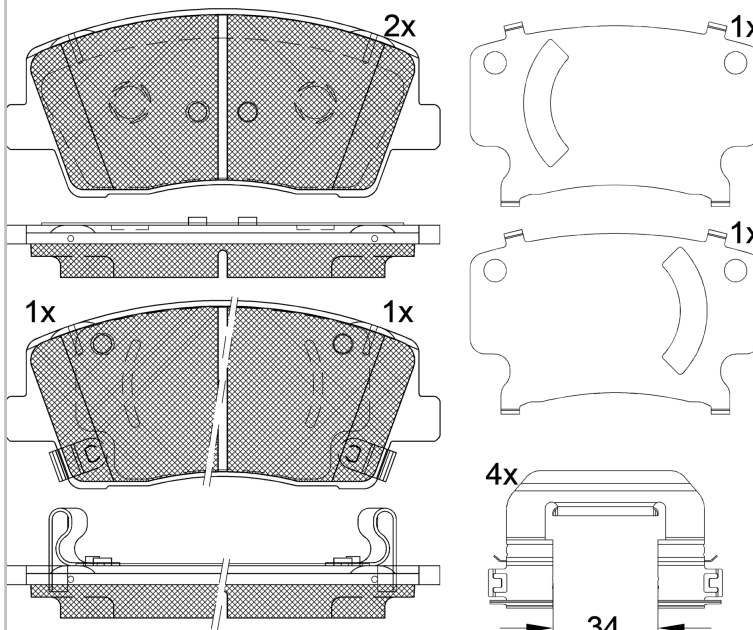


8 424073 183835

Qty: 300

Weight: 1.955

O.E.M.	MAKE
58101-J5A00	KIA
58101-J5A05	KIA



1-Ref. 690507 E

182316

E 9 90R-02A0111/5289



Akebono

140.6x61x18

WVA	FMSI
22841	D2117-9352
22842	
22843	
MAKE	
GENESIS	
KIA	



Trac.	CC	Kw	CV
-------	----	----	----



Front / Rear

GENESIS

G70 (IK) 09.17-

Saloon (Sports car-S Segment)

Engine	Rim	Fuel	Drivetrain	Year	Kw	CV	Period	Icon
2.0 T-GDI (G4KL)	Rim 17	Gasolina	RWD	1998	185	252	09.17-01.20	■
2.0 T-GDi HTRAC (G4KL)		Gasolina	4WD	1998	185	252	09.17-01.20	■
2.2 CRDi	Rim 17	Diesel	RWD	2199	147	200	06.21-	■
2.2 CRDi HTRAC	Rim 17	Diesel	4WD	2199	147	200	06.21-	■
2.2 CRDi		Diesel	RWD	2199	149	202	09.17-	■
2.2 CRDi HTRAC		Diesel	4WD	2199	149	202	09.17-	■

G70 Shooting Brake (IK) 06.21-

Estate (Sports car-S Segment)

2.2 CRDi	Rim 17	Diesel	RWD	2199	147	200	06.21-	■
2.2 CRDi HTRAC	Rim 17	Diesel	4WD	2199	147	200	06.21-	■

KIA

STINGER (CK) 06.17-

Hatchback (Executive car-E Segment)

2.2 CRDi VGT (D4HC)		Diesel	RWD	2199	147	200	06.17-12.23	■
2.2 CRDi VGT 4WD (D4HC)		Diesel	4WD	2199	147	200	06.17-12.23	■
2.2 CRDi VGT		Diesel	RWD	2199	149	202	06.17-	■
2.2 CRDi VGT 4WD		Diesel	4WD	2199	149	202	06.17-	■

STINGER Van (CK) 06.17-

Hatchback Van (Executive car-E Segment)

2.2 CRDi VGT (D4HC)		Diesel	RWD	2199	147	200	07.18-12.23	■
2.2 CRDi VGT 4WD (D4HC)		Diesel	4WD	2199	147	200	06.17-12.23	■