

LISTA DE APLICACIONES - BUYERS GUIDE

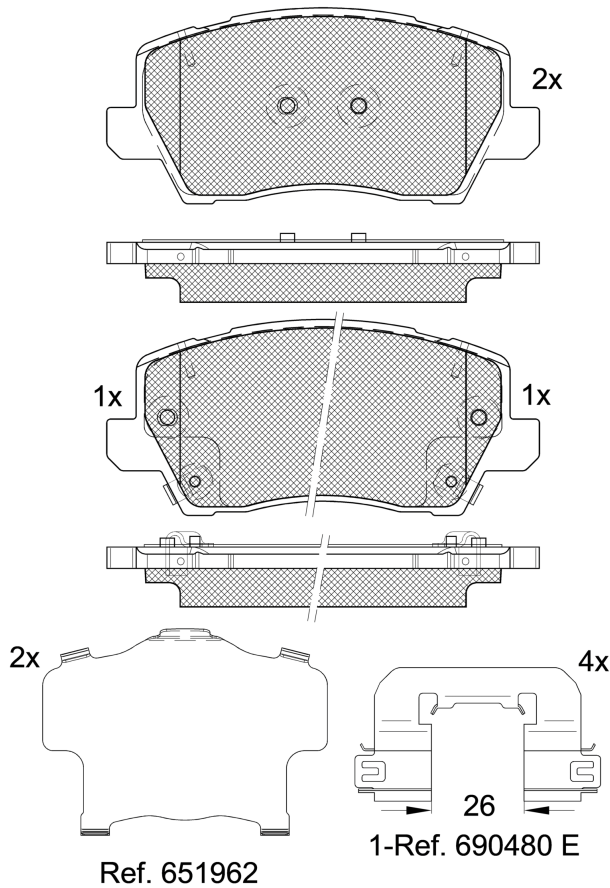
182325



Qty: 300

Weight: 1.515

O.E.M.	MAKE
58101-G6A30	KIA
58101-G6A40	KIA



182325

E 9 90R-02A0111/5285



Akebono

121.6x55.1x17.9

WVA

22904

22905

22906

MAKE

KIA



Trac.	CC	Kw	CV
-------	----	----	----



Front / Rear

KIA

PICANTO III / MORNING / EURO STAR (JA) 03.17-

Hatchback (City car-A Segment)

Model	Rim	Fuel	Trac.	CC	Kw	CV	Date	Availability
1.0		Gasolina	FWD	998	46	63	05.24-	■
1.0 (G3LA)	Rim 14	Gasolina	FWD	998	49	67	03.17-	■
1.0 (G3LD)	Rim 14	Gasolina	FWD	998	49	67	03.17-	■
1.0 (G3LA)	Rim 14	Gasolina	FWD	998	51	69	03.17-	■
1.0	Rim 14	Gasolina	FWD	998	54	73	05.17-	■
1.0	Rim 14	Gasolina	FWD	998	56	76	03.17-	■
1.0 T-GDI (G3LC)	Rim 14	Gasolina	FWD	998	74	100	03.17-	■
1.2 DPI		Gasolina	FWD	1197	58	79	05.24-	■
1.2 MPI (G4LF)		Gasolina	FWD	1197	62	84	07.20-	■
1.2 (G4LA)	Rim 14	Gasolina	FWD	1248	62	84	03.17-	■
1.2	Rim 14	Gasolina	FWD	1248	64	87	03.17-	■
1.0 LPG (G3LA)	Rim 14	Gasol./Gas (LPG)	FWD	998	48	65	11.18-	■
1.0 LPG (G3LD)	Rim 14	Gasol./Gas (LPG)	FWD	998	48	65	11.18-	■
1.0 i	Rim 14	Gasol./Etanol	FWD	998	59	80	03.17-	■

PICANTO III Runner / MORNING / EURO STAR (JA) 03.17-

Hatchback Van (City car-A Segment)

1.0 MPI	Rim 14	Gasolina	FWD	998	49	67	11.18-	■
---------	--------	----------	-----	-----	----	----	--------	---