

LISTA DE APLICACIONES - BUYERS GUIDE

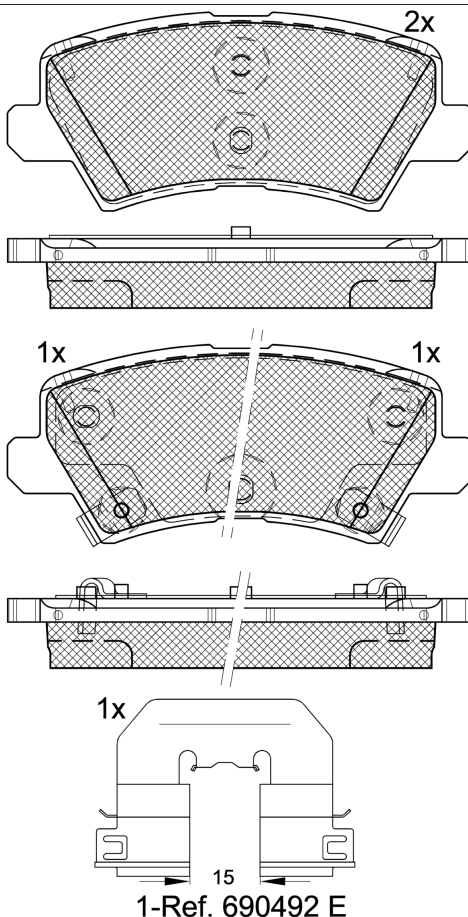
182330



Qty: 300

Weight: 785

O.E.M.	MAKE
58302-G6A00	KIA
58302-G6A01	KIA
58302-G6A10	KIA



182330

E 9 90R-02A0111/5342



Akebono

99.7x42.4x15.5

WVA

22901
22902
22903

MAKE

KIA



Trac.	CC	Kw	CV
-------	----	----	----



Front / Rear

KIA

PICANTO III / MORNING / EURO STAR (JA) 03.17-						Hatchback (City car-A Segment)		
1.0		Gasolina	FWD	998	46	63	05.24-	■
1.0 (G3LA)	disc brak.rear axle	Gasolina	FWD	998	49	67	03.17-	■
1.0 (G3LD)	disc brak.rear axle	Gasolina	FWD	998	49	67	03.17-	■
1.0 (G3LA)	disc brak.rear axle	Gasolina	FWD	998	51	69	03.17-	■
1.0	disc brak.rear axle	Gasolina	FWD	998	56	76	03.17-	■
1.0 T-GDI (G3LC)	disc brak.rear axle	Gasolina	FWD	998	74	100	03.17-	■
1.2 DPI		Gasolina	FWD	1197	58	79	05.24-	■
1.2 MPI (G4LF)		Gasolina	FWD	1197	62	84	07.20-	■
1.2 (G4LA)	disc brak.rear axle	Gasolina	FWD	1248	62	84	03.17-	■
1.2	disc brak.rear axle	Gasolina	FWD	1248	64	87	03.17-	■
1.0 LPG (G3LA)	disc brak.rear axle	Gasol./Gas (LPG)	FWD	998	48	65	11.18-	■
1.0 LPG (G3LD)	disc brak.rear axle	Gasol./Gas (LPG)	FWD	998	48	65	11.18-	■
1.0 i	disc brak.rear axle	Gasol./Etanol	FWD	998	59	80	03.17-	■
PICANTO III Runner / MORNING / EURO STAR (JA) 03.17-						Hatchback Van (City car-A Segment)		
1.0 MPi	disc brak.rear axle	Gasolina	FWD	998	49	67	11.18-	■
PICANTO II/MORNING/EURO STAR (TA) 05.11-						Hatchback (City car-A Segment)		
1.0 (G3LA)		Gasolina	FWD	998	51	69	05.11-03.17	■
1.2 (G4LA)		Gasolina	FWD	1248	63	85	09.11-03.17	■
1.2 (G4LA)		Gasolina	FWD	1248	64	87	09.11-02.17	■