

LISTA DE APLICACIONES - BUYERS GUIDE

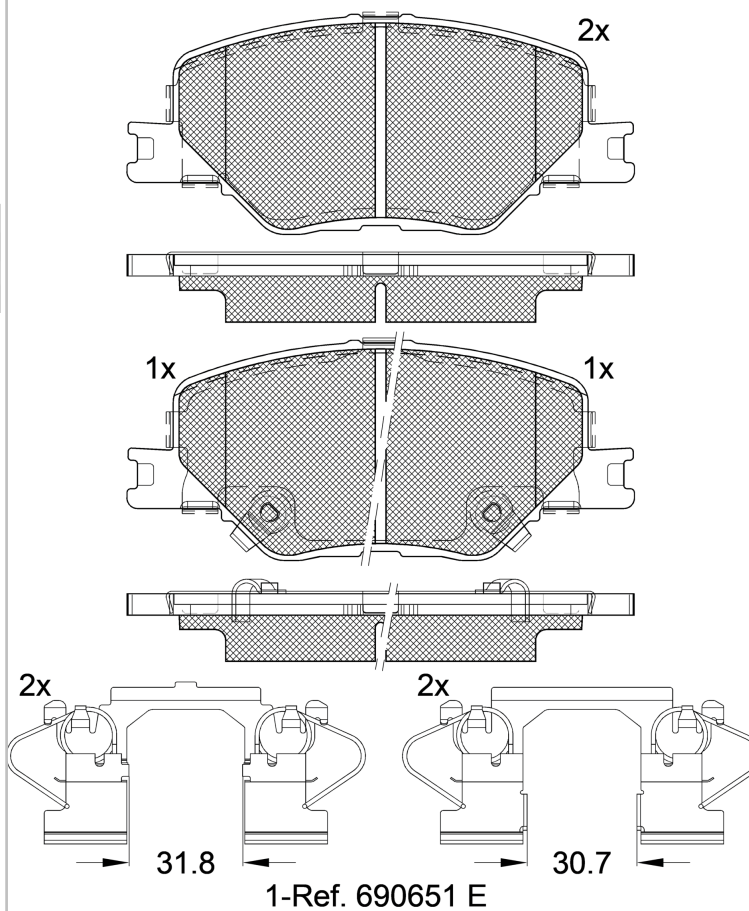
182332



Qty: 300

Weight: 1.920

O.E.M.	MAKE
84 124 408	VAUXHALL
84 720 014	VAUXHALL
8412 4408	BUICK (SGM)



182332

E 9 90R-02A0111/5159



Akebono

142x61.6x19.6

WVA

22840
22838
22839

MAKE

BUICK (SGM)
HOLDEN
OPEL
VAUXHALL



Trac.	CC	Kw	CV



Front / Rear

BUICK (SGM)

REGAL III (EG7) 07.17-					Saloon (Large family car-D Segment)
20t	Gasolina	FWD	1490	125	170 07.17-
28T	Gasolina	FWD	10998	192	261 07.17-
30 H	Gasol./el éc.	FWD	1796	94	128 07.17-

HOLDEN

COMMODORE (ZB) 10.17-					Estate (Executive car-E Segment)
2.0	Gasolina	FWD	1998	191	260 10.17-
3.6 V6	Gasolina	FWD	3640	235	320 10.17-
COMMODORE (ZB) 10.17-					Hatchback (Executive car-E Segment)
2.0	Gasolina	FWD	1998	191	260 10.17-
3.6 V6	Gasolina	FWD	3640	235	320 10.17-
2.0 D	Diesel	FWD	1956	125	170 10.17-
2.0 D	Diesel	FWD	1956	125	170 10.17-

OPEL

INSIGNIA B Country Tourer (Z18) 06.17-					Estate (Executive car-E Segment)
1.5 (47) (B 15 SFT)	Eq.V_ J60, Rim 16	Gasolina	FWD	1490	121 165 06.17-
1.5 (47) (D 15 SFT)	Eq.V_ J60, Rim 16	Gasolina	FWD	1490	121 165 06.17-
1.6 Turbo (47) (D 16 SHT)	Eq.V_ J60, Rim 16	Gasolina	FWD	1598	147 200 06.18-
2.0 CDTi (47) (D 20 DTH)	Eq.V_ J60, Rim 16	Diesel	FWD	1956	125 170 06.17-
2.0 CDTi 4x4 (47) (D 20 DTH)	Eq.V_ J60, Rim 16	Diesel	4WD	1956	125 170 06.17-

LISTA DE APLICACIONES - BUYERS GUIDE

INSIGNIA B Grand Sport (Z18) 03.17-					Hatchback (Executive car-E Segment)			
1.4 Turbo (68) (F 14 SHL)	Eq.V_ J60, Rim 16	Gasolina	FWD	1342	107	145	04.20-	■
1.4 Turbo (68) (F 14 SHT)	Eq.V_ J60, Rim 16	Gasolina	FWD	1342	107	145	04.20-	■
1.5 (68) (B 15 SFL)	Eq.V_ J60, Rim 16	Gasolina	FWD	1490	103	140	03.17-	■
1.5 (68) (D 15 SFL)	Eq.V_ J60, Rim 16	Gasolina	FWD	1490	103	140	03.17-	■
1.5 (68) (B 15 SFT)	Eq.V_ J60, Rim 16	Gasolina	FWD	1490	121	165	03.17-	■
1.5 (68) (D 15 SFT)	Eq.V_ J60, Rim 16	Gasolina	FWD	1490	121	165	03.17-	■
1.6 Turbo (68) (D 16 SHT)	Eq.V_ J60, Rim 16	Gasolina	FWD	1598	147	200	06.18-	■
1.5 CDTi (68) (F 15 DVH)	Eq.V_ J60, Rim 16	Diesel	FWD	1496	90	122	02.20-	■
1.6 CDTi (68) (B 16 DTE)	Eq.V_ J60, Rim 16	Diesel	FWD	1598	81	110	03.17-	■
1.6 CDTi (68) (D 16 DTE)	Eq.V_ J60, Rim 16	Diesel	FWD	1598	81	110	03.17-	■
1.6 CDTi (68) (D 16 DTN)	Eq.V_ J60, Rim 16	Diesel	FWD	1598	81	110	03.17-	■
1.6 CDTi (68) (B 16 DTH)	Eq.V_ J60, Rim 16	Diesel	FWD	1598	100	136	03.17-	■
1.6 CDTi (68) (D 16 DTH)	Eq.V_ J60, Rim 16	Diesel	FWD	1598	100	136	03.17-	■
2.0 CDTi (68) (B 20 DTH)	Eq.V_ J60, Rim 16	Diesel	FWD	1956	125	170	03.17-	■
2.0 CDTi (68) (D 20 DTH)	Eq.V_ J60, Rim 16	Diesel	FWD	1956	125	170	03.17-	■
2.0 CDTi 4x4 (68) (D 20 DTH)	Eq.V_ J60, Rim 16	Diesel	4WD	1956	125	170	03.17-	■
2.0 CDTi (68)	Rim 16	Diesel	FWD	1956	128	174	04.20-	■
2.0 CDTi 4x4 (68)	Rim 16	Diesel	4WD	1956	128	174	04.20-	■

INSIGNIA B Sports Tourer (Z18) 03.17-					Estate (Executive car-E Segment)			
1.5 (35) (B 15 SFL)	Eq.V_ J60, Rim 16	Gasolina	FWD	1490	103	140	03.17-	■
1.5 (35) (D 15 SFL)	Eq.V_ J60, Rim 16	Gasolina	FWD	1490	103	140	03.17-	■
1.5 (35) (B 15 SFT)	Eq.V_ J60, Rim 16	Gasolina	FWD	1490	121	165	03.17-	■
1.5 (35) (D 15 SFT)	Eq.V_ J60, Rim 16	Gasolina	FWD	1490	121	165	03.17-	■
1.6 Turbo (35) (D 16 SHT)	Eq.V_ J60, Rim 16	Gasolina	FWD	1598	147	200	06.18-	■
1.5 CDTi (35) (F 15 DVH)	Eq.V_ J60, Rim 16	Diesel	FWD	1496	90	122	02.20-	■
1.6 CDTi (35) (B 16 DTE)	Eq.V_ J60, Rim 16	Diesel	FWD	1598	81	110	03.17-	■
1.6 CDTi (35) (D 16 DTE)	Eq.V_ J60, Rim 16	Diesel	FWD	1598	81	110	03.17-	■
1.6 CDTi (35) (D 16 DTN)	Eq.V_ J60, Rim 16	Diesel	FWD	1598	81	110	03.17-	■
1.6 CDTi (35) (B 16 DTH)	Eq.V_ J60, Rim 16	Diesel	FWD	1598	100	136	03.17-	■
1.6 CDTi (35) (D 16 DTH)	Eq.V_ J60, Rim 16	Diesel	FWD	1598	100	136	03.17-	■
2.0 CDTi (35) (B 20 DTH)	Eq.V_ J60, Rim 16	Diesel	FWD	1956	125	170	03.17-	■
2.0 CDTi (35) (D 20 DTH)	Eq.V_ J60, Rim 16	Diesel	FWD	1956	125	170	03.17-	■
2.0 CDTi 4x4 (35) (D 20 DTH)	Eq.V_ J60, Rim 16	Diesel	4WD	1956	125	170	03.17-	■

INSIGNIA B Sports Tourer Combi Van (Z18) 03.17-					Estate Van (Executive car-E Segment)			
CDTi ECOTEC (B 16 DTH)	Eq.V_ J60, Rim 16	Diesel	FWD	1598	100	136	03.17-	■
CDTi ECOTEC (D 16 DTH)	Eq.V_ J60, Rim 16	Diesel	FWD	1598	100	136	03.17-	■

VAUXHALL

INSIGNIA Mk II (B) (Z18) 03.17-					Hatchback (Executive car-E Segment)			
1.5 (68) (B 15 SFL)	Eq.V_ J60, Rim 16	Gasolina	FWD	1490	103	140	03.17-	■
1.5 (68) (D 15 SFL)	Eq.V_ J60, Rim 16	Gasolina	FWD	1490	103	140	03.17-	■
1.5 (68) (B 15 SFT)	Eq.V_ J60, Rim 16	Gasolina	FWD	1490	121	165	03.17-	■
1.5 (68) (D 15 SFT)	Eq.V_ J60, Rim 16	Gasolina	FWD	1490	121	165	03.17-	■
1.6 Turbo (68) (D 16 SHT)	Eq.V_ J60, Rim 16	Gasolina	FWD	1598	147	200	06.18-	■
1.6 D (68) (B 16 DTE)	Eq.V_ J60, Rim 16	Diesel	FWD	1598	81	110	03.17-	■
1.6 D (68) (D 16 DTE)	Eq.V_ J60, Rim 16	Diesel	FWD	1598	81	110	03.17-	■
1.6 D (68) (D 16 DTN)	Eq.V_ J60, Rim 16	Diesel	FWD	1598	81	110	03.17-	■
1.6 D (68) (B 16 DTH)	Eq.V_ J60, Rim 16	Diesel	FWD	1598	100	136	03.17-	■
1.6 D (68) (D 16 DTH)	Eq.V_ J60, Rim 16	Diesel	FWD	1598	100	136	03.17-	■

LISTA DE APLICACIONES - BUYERS GUIDE

2.0 D (68) (B 20 DTH)	Eq.V_ J60, Rim 16	Diesel	FWD	1956	125	170	03.17-	■	
2.0 D (68) (D 20 DTH)	Eq.V_ J60, Rim 16	Diesel	FWD	1956	125	170	03.17-	■	
2.0 D 4x4 (68)	Rim 16	Diesel	4WD	1995	128	174	02.20-	■	
INSIGNIA Mk II (B) Country Tourer (Z18) 03.17-					Estate (Executive car-E Segment)				
2.0 D (47) (D 20 DTH)	Eq.V_ J60, Rim 16	Diesel	FWD	1956	125	170	03.17-	■	
2.0 D 4x4 (47) (B 20 DTH)	Eq.V_ J60, Rim 16	Diesel	4WD	1956	125	170	09.17-	■	
2.0 D 4x4 (47) (D 20 DTH)	Eq.V_ J60, Rim 16	Diesel	4WD	1956	125	170	09.17-	■	
INSIGNIA Mk II (B) Sports Tourer (Z18) 03.17-					Estate (Executive car-E Segment)				
1.5 (35) (B 15 SFL)	Eq.V_ J60, Rim 16	Gasolina	FWD	1490	103	140	03.17-	■	
1.5 (35) (D 15 SFL)	Eq.V_ J60, Rim 16	Gasolina	FWD	1490	103	140	03.17-	■	
1.5 (35) (B 15 SFT)	Eq.V_ J60, Rim 16	Gasolina	FWD	1490	121	165	03.17-	■	
1.5 (35) (D 15 SFT)	Eq.V_ J60, Rim 16	Gasolina	FWD	1490	121	165	03.17-	■	
1.6 Turbo (35) (D 16 SHT)	Eq.V_ J60, Rim 16	Gasolina	FWD	1598	147	200	06.18-	■	
1.6 D (35) (B 16 DTE)	Eq.V_ J60, Rim 16	Diesel	FWD	1598	81	110	03.17-	■	
1.6 D (35) (D 16 DTE)	Eq.V_ J60, Rim 16	Diesel	FWD	1598	81	110	03.17-	■	
1.6 D (35) (D 16 DTN)	Eq.V_ J60, Rim 16	Diesel	FWD	1598	81	110	03.17-	■	
1.6 D (35) (B 16 DTH)	Eq.V_ J60, Rim 16	Diesel	FWD	1598	100	136	03.17-	■	
1.6 D (35) (D 16 DTH)	Eq.V_ J60, Rim 16	Diesel	FWD	1598	100	136	03.17-	■	
2.0 D (35) (B 20 DTH)	Eq.V_ J60, Rim 16	Diesel	FWD	1956	125	170	03.17-	■	
2.0 D (35) (D 20 DTH)	Eq.V_ J60, Rim 16	Diesel	FWD	1956	125	170	03.17-	■	