

# LISTA DE APLICACIONES - BUYERS GUIDE

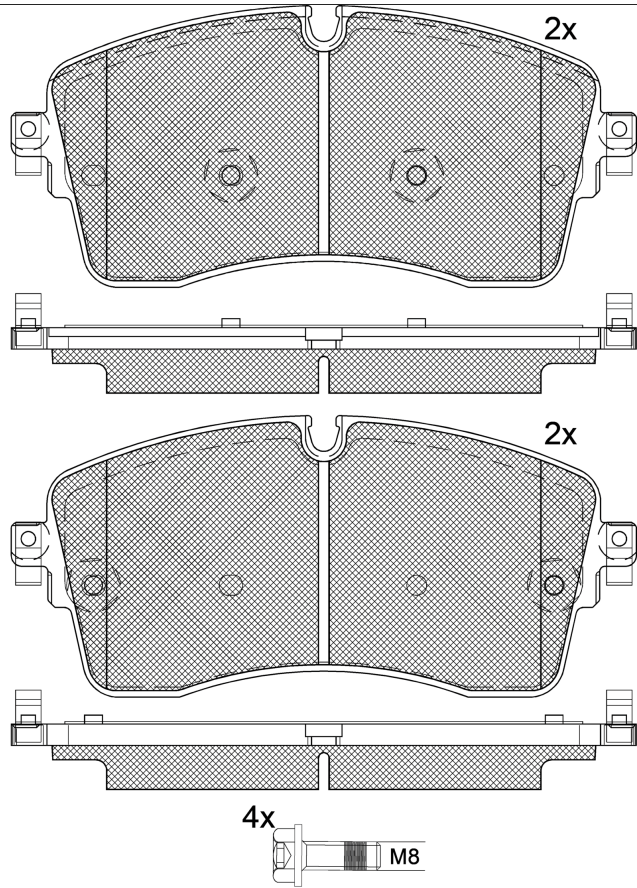
**182335**



Qty: 300

Weight: 3.280

O.E.M.	MAKE
J9C7133	JAGUAR
LR-091568	LAND ROVER
LR-128251	LAND ROVER
LR-134638	LAND ROVER



1-Ref. 690173 E

**182335**

**E 9 90R-02A0111/5290**



Trw

175.1x78.8x19

WVA
22485
22486

MAKE
JAGUAR
LAND ROVER



Trac.	CC	Kw	CV
-------	----	----	----



Front / Rear

## JAGUAR

### E-PACE (X540) 09.17-

### SUV (Compact SUV-J Segment)

Model	Disc	Fuel	Trac.	CC	Kw	CV	Year	Front	Rear
2.0 P200 AWD (PT204)	Rim 18, Eq.V_ For Extreme use, discØ 350	Gasolina	4WD	1997	147	200	08.18-	■	■
2.0 P200 AWD (PT204)	Rim 18, Eq.V_ For Extreme use, discØ 350	Gasolina	4WD	1997	183	249	09.17-	■	■
2.0 AWD (PT204)	Rim 18, Eq.V_ For Extreme use	Gasolina	4WD	1997	221	300	09.17-	■	■
2.0 D150 (204DTD)	Rim 18, Eq.V_ For Extreme use, discØ 350	Diesel	FWD	1999	110	150	09.17-	■	■
2.0 D150 AWD (204DTD)	Rim 18, Eq.V_ For Extreme use, discØ 350	Diesel	4WD	1999	110	150	09.17-	■	■
2.0 D180 AWD (204DTD)	Rim 18, Eq.V_ For Extreme use, discØ 350	Diesel	4WD	1999	132	179	09.17-	■	■
2.0 D240 AWD (204DTA)	Rim 18, Eq.V_ For Extreme use, discØ 350	Diesel	4WD	1999	177	241	09.17-	■	■

## LAND ROVER

### DEFENDER III Sport Wagon (L663) 09.19-

### Closed Off-Road Vehicle (Off-Road SUV-J Segment)

Model	Fuel	Trac.	CC	Kw	CV	Year	Front	Rear
P425 4x4	Gasolina	4WD	5000	313	426	05.24-	■	■
P500 4x4	Gasolina	4WD	5000	368	500	04.23-	■	■
P300e Hybrid 4x4	Gasol./el éc.	4WD	1997	221	300	06.24-	■	■
P300 MHEV 4x4	Gasol./el éc.	4WD	1997	221	300	07.23-	■	■
P635 OCTA MHEV 4x4	Gasol./el éc.	4WD	4395	467	635	05.24-	■	■
D350 MHEV 4x4	Diesel/el éc.	4WD	2997	258	350	05.24-	■	■

# LISTA DE APLICACIONES - BUYERS GUIDE

						<b>Closed Off-Road Van (Off-Road SUV-J Segment)</b>				
<b>DEFENDER III Van (L663) 02.20-</b>										
3.0 D350 MHEV 4x4		Diesel/el éc.	4WD	2997	258	351	05.24-	■		
<b>DISCOVERY V / LR5 (L462) 09.16-</b>						<b>SUV Van (Executive SUV-J Segment)</b>				
3.0 D300 MHEV 4x4	Rim 18, Syst. High Performance	Diesel/el éc.	4WD	2997	221	300	12.20-	■		
<b>DISCOVERY V / LR5 (L462) 09.16-</b>						<b>SUV (Executive SUV-J Segment)</b>				
P360 MHEV 4x4	Rim 18, Syst. High Performance	Gasol./el éc.	4WD	2996	265	360	12.20-	■		
D250 MHEV 4x4	Rim 18, Syst. High Performance	Diesel/el éc.	4WD	2997	183	249	12.20-	■		
D300 MHEV 4x4	Rim 18, Syst. High Performance	Diesel/el éc.	4WD	2997	221	300	12.20-	■		
D350 MHEV 4x4		Diesel/el éc.	4WD	2997	257	349	05.24-	■		
<b>DISCOVERY SPORT (L550) 09.14-</b>						<b>SUV Van (Executive SUV-J Segment)</b>				
Si4 4x4		Gasolina	4WD	1997	177	241	12.17-	■		
Si4 4x4		Gasolina	4WD	1997	213	290	08.17-	■		
Si4 4x4		Gasolina	4WD	1999	177	241	01.17-	■		
eD4 E-Capability		Diesel	FWD	1999	110	150	08.15-	■		
TD4 4x4		Diesel	4WD	1999	110	150	12.14-	■		
TD4 4x4		Diesel	4WD	1999	132	179	06.15-	■		
SD4 4x4		Diesel	4WD	1999	177	241	08.17-	■		
<b>DISCOVERY SPORT (L550) 09.14-</b>						<b>SUV (Executive SUV-J Segment)</b>				
2.0 4x4 (PT204)	discØ 349, Rim 18, Performance brakes	Gasolina	4WD	1997	177	241	12.17-	■		
2.0 Si4 4x4		Gasolina	4WD	1997	177	241	12.17-	■		
2.0 P250 4x4 (PT204)	Rim 18, discØ 349, Syst. High Performance	Gasolina	4WD	1997	183	249	05.19-	■		
2.0 4x4 (PT204)	discØ 349, Rim 18, Performance brakes	Gasolina	4WD	1997	213	290	08.17-	■		
2.0 4x4 (204PT)	discØ 349, Rim 18, Performance brakes	Gasolina	4WD	1999	177	241	11.14-	■		
2.0 P200 FLEX MHEV 4x4 (PT204)		Gasol./et anol/eléc	4WD	1997	147	200	09.20-	■		
2.0 Si4 FLEX 4x4 (PT204)		Gasol./Et anol	4WD	1997	177	241	12.18-	■		
2.0 P200 MHEV 4x4 (PT204)		Gasol./el éc.	4WD	1997	147	200	05.19-	■		
2.0 P250 MHEV 4x4 (PT204)		Gasol./el éc.	4WD	1997	184	250	05.19-	■		
2.0 D150 MHEV 4x4 (204DTD)		Diesel/el éc.	4WD	1999	110	150	05.19-	■		
2.0 D180 MHEV 4x4 (204DTD)		Diesel/el éc.	4WD	1999	132	179	05.19-	■		
2.0 D240 MHEV 4x4 (204DTA)		Diesel/el éc.	4WD	1999	177	241	05.19-	■		
2.0 D (204DTD)	discØ 349, Rim 18, Performance brakes	Diesel	FWD	1999	110	150	08.15-	■		
2.0 D 4x4 (204DTD)	discØ 349, Rim 18, Performance brakes	Diesel	4WD	1999	110	150	12.14-	■		
2.0 D 4x4 (204DTD)	discØ 349, Rim 18, Performance brakes	Diesel	4WD	1999	132	180	06.15-	■		
2.0 D 4x4 (204DTA)	discØ 349, Rim 18, Performance brakes	Diesel	4WD	1999	177	241	08.17-	■		
2.2 D 4x4 (224DT)	discØ 349, Rim 18, Performance brakes	Diesel	4WD	2179	110	150	09.14-	■		
2.2 D 4x4 (224DT)	discØ 349, Rim 18, Performance brakes	Diesel	4WD	2179	140	190	09.14-	■		

# LISTA DE APLICACIONES - BUYERS GUIDE

<b>RANGE ROVER IV (L405) 08.12-</b>					<b>SUV (Luxury Crossover SUV-J Segment)</b>			
3.0 SCV6 4x4 (306PS)		Gasolina	4WD	2995	250	340	10.13-09.21	■
3.0 SCV6 4x4 (306PS)		Gasolina	4WD	2995	280	380	06.15-09.21	■
3.0P400 4x4 (PT306)	Rim 18, Syst. High Performance	Gasolina	4WD	2996	294	400	07.20-09.21	■
P360 MHEV 4x4 (PT306)	Rim 18, Syst. High Performance	Gasol./el éc.	4WD	2996	265	360	12.19-09.21	■
3.0 P400 MHEV 4x4 (PT306)		Gasol./el éc.	4WD	2996	294	400	05.19-09.21	■
D250 MHEV 4x4 (AJ20D6)	Rim 18, Syst. High Performance	Diesel/el éc.	4WD	2997	183	249	07.20-09.21	■
D300 MHEV 4x4 (AJ20D6)	Rim 18, discØ 349	Diesel/el éc.	4WD	2997	221	300	07.20-09.21	■
D350 MHEV 4x4 (AJ20D6)	Rim 18, discØ 349	Diesel/el éc.	4WD	2997	258	351	07.20-09.21	■
D350 MHEV 4x4		Diesel/el éc.	4WD	2997	258	351	11.20-	■
3.0 SDV6 4x4 (306DT)		Diesel	4WD	2993	202	275	10.18-09.21	■
D300 4x4 (AJ20D6)	Rim 18, Syst. High Performance	Diesel	4WD	2997	221	300	07.20-	■
D350 4x4 (AJ20D6)	Rim 18, Syst. High Performance	Diesel	4WD	2997	258	351	07.20-	■
<b>RANGE ROVER EVOQUE (L538) 11.15-</b>					<b>Convertible (Compact SUV-J Segment)</b>			
2.0 4x4 (PT204)	Rim 18, Performance brakes	Gasolina	4WD	1997	177	241	08.17-12.19	■
2.0 4x4 (204PT)		Gasolina	4WD	1999	177	241	11.15-12.19	■
2.0 D 4x4 (204DTA)	Rim 18, Performance brakes	Diesel	4WD	1999	177	241	08.17-12.19	■
<b>RANGE ROVER EVOQUE (L538) 06.11-12.19</b>					<b>SUV Van (Compact SUV-J Segment)</b>			
Si4 4x4	Rim 18, Performance brakes	Gasolina	4WD	1999	177	241	09.13-12.19	■
<b>RANGE ROVER EVOQUE (L538) 06.11-</b>					<b>SUV (Compact SUV-J Segment)</b>			
2.0 4x4 (PT204)	Rim 18, Performance brakes	Gasolina	4WD	1997	177	241	08.17-12.19	■
2.0 4x4 (PT204)	Rim 18, Performance brakes	Gasolina	4WD	1997	213	290	08.17-12.19	■
2.0 4x4 (204PT)		Gasolina	4WD	1999	176	240	09.11-12.19	■
2.0 4x4 (204PT)		Gasolina	4WD	1999	177	241	06.11-12.19	■
2.0 D 4x4 (204DTA)	Rim 18, Performance brakes	Diesel	4WD	1999	177	241	08.17-12.19	■
<b>RANGE ROVER EVOQUE II (L551) 12.18-</b>					<b>SUV (Compact SUV-J Segment)</b>			
2.0 P200 4x4 (PT204)	-ch LH006606, discØ 349, Performance brakes	Gasolina	4WD	1997	147	200	12.18-	■
2.0 P250 4x4 (PT204)	-ch LH006606, discØ 349, Performance brakes	Gasolina	4WD	1997	184	250	12.18-	■
2.0 P300 4x4 (PT204)	discØ 349, Rim 18, Syst. High Performance	Gasolina	4WD	1997	221	300	07.20-	■
2.0 P200 FLEX MHEV 4x4 (PT204)	discØ 349, Rim 18, Syst. High Performance	Gasol./et anol/eléc	4WD	1997	147	200	09.20-	■
2.0 P200 FLEX 4x4		Gasol./Et anol	4WD	1997	147	200	12.18-	■
1.5 P160 MHEV (AJ20P3)	Rim 18, discØ 349, Syst. High Performance	Gasol./el éc.	FWD	1498	118	160	09.20-	■
1.5 P300e Hybrid 4x4 (AJ20P3)		Gasol./el éc.	4WD	1498	147	200	02.20-	■
1.5 P300e Hybrid 4x4 (AJ20P3)		Gasol./el éc.	4WD	1498	227	309	02.20-	■
2.0 P200 MHEV 4x4 (PT204)	-ch LH006606, discØ 349, Performance brakes	Gasol./el éc.	4WD	1997	147	200	12.18-	■
2.0 P250 MHEV 4x4 (PT204)	-ch LH006606, discØ 349, Performance brakes	Gasol./el éc.	4WD	1997	183	249	12.18-	■
2.0 P300 MHEV 4x4 (PT204)	-ch LH006606, discØ 349, Performance brakes	Gasol./el éc.	4WD	1997	221	300	12.18-	■
2.0 D165 MHEV 4x4 (AJ20D4)	Rim 18, discØ 349, Syst. High Performance	Diesel/el éc.	4WD	1997	120	163	07.20-	■
2.0 D200 MHEV 4x4 (AJ20D4)	Rim 18, discØ 349, Syst. High Performance	Diesel/el éc.	4WD	1997	150	204	07.20-	■

## LISTA DE APLICACIONES - BUYERS GUIDE

2.0 D150 MHEV 4x4 (204DTD)	-ch LH006606, discØ 349, Performance brakes	Diesel/el éc.	4WD	1999	110	150	12.18-	■	
2.0 D180 MHEV 4x4 (204DTD)	-ch LH006606, discØ 349, Performance brakes	Diesel/el éc.	4WD	1999	132	180	12.18-	■	
2.0 D240 MHEV 4x4 (204DTA)	-ch LH006606, discØ 349, Performance brakes	Diesel/el éc.	4WD	1999	177	241	12.18-	■	
2.0 D165 (AJ20D4)	Rim 18, discØ 349, Syst. High Performance	Diesel	FWD	1997	120	163	07.20-	■	
2.0 D165 4x4 (AJ20D4)	discØ 349, Rim 18, Syst. High Performance	Diesel	4WD	1997	120	163	07.20-	■	
2.0 D200 4x4 (AJ20D4)	discØ 349, Rim 18, Syst. High Performance	Diesel	4WD	1997	150	204	07.20-	■	
2.0 D150 (204DTD)	-ch LH006606, discØ 349, Performance brakes	Diesel	FWD	1999	110	150	12.18-	■	
2.0 D150 4x4 (204DTD)	-ch LH006606, discØ 349, Performance brakes	Diesel	4WD	1999	110	150	12.18-	■	
2.0 D180 4x4 (204DTD)	-ch LH006606, discØ 349, Performance brakes	Diesel	4WD	1999	132	180	12.18-	■	
<b>RANGE ROVER SPORT II (L494) 04.13-</b>					<b>SUV (Luxury Crossover SUV-J Segment)</b>				
3.0 P360 MHEV 4x4 (PT306)	Rim 18, Syst. High Performance	Gasol./el éc.	4WD	2996	265	360	06.19-03.22	■	
3.0 SDV6 4x4 (306DT)		Diesel	4WD	2993	183	249	04.13-03.22	■	
3.0 TDV6 4x4 (306DT)		Diesel	4WD	2993	190	258	04.13-03.22	■	
3.0 SDV6 4x4 (306DT)		Diesel	4WD	2993	225	306	09.14-03.22	■	
3.0 D250 4x4 (AJ20D6)	Rim 18, Syst. High Performance	Diesel	4WD	2997	183	249	07.20-03.22	■	
3.0 D300 4x4 (AJ20D6)	Rim 18, Syst. High Performance	Diesel	4WD	2997	221	300	07.20-03.22	■	
3.0 D350 4x4 (AJ20D6)	Rim 18, Syst. High Performance	Diesel	4WD	2997	258	351	07.20-03.22	■	