

LISTA DE APLICACIONES - BUYERS GUIDE

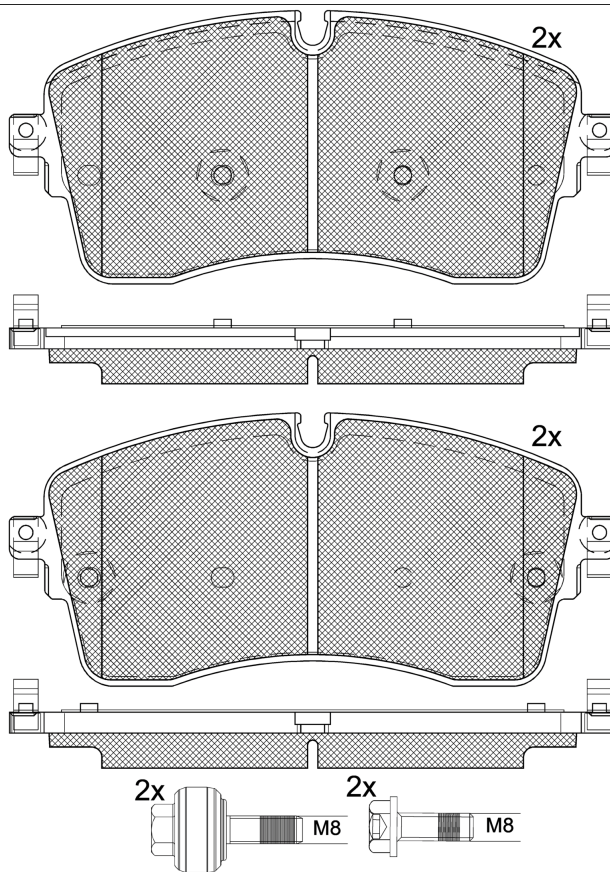
182335-200



Qty: 300

Weight: 3.245

O.E.M.	MAKE
HJ32-2K021-EA	LAND ROVER
JDE 39759	JAGUAR
JPLA-2K021-CA	LAND ROVER
LR-091308	LAND ROVER
LR-110409	LAND ROVER
LR128251	LAND ROVER
LR-134644	LAND ROVER
LR-139155	LAND ROVER
LR-162044	LAND ROVER
LR-162045	LAND ROVER
LR-164029	LAND ROVER



1-Ref. 690532 E

182335-200

E 9 90R-02A0111/5338



Trw

175.1x78.8x16.8

WVA	FMSI
22485	D2133-9370
22486	

MAKE
JAGUAR
LAND ROVER
LAND ROVER (CHERY)



Trac.	CC	Kw	CV
-------	----	----	----



Front / Rear

JAGUAR

E-PACE (X540) 09.17-

SUV (Compact SUV-J Segment)

2.0 P200 AWD (PT204)	Rim 18, discØ 350	Gasolina	4WD	1997	147	200	08.18-	■
2.0 P200 AWD (PT204)	Rim 18, discØ 350	Gasolina	4WD	1997	183	249	09.17-	■
2.0 AWD (PT204)	Rim 18	Gasolina	4WD	1997	221	300	09.17-	■
2.0 D150 (204DTD)	Rim 18, discØ 350	Diesel	FWD	1999	110	150	09.17-	■
2.0 D150 AWD (204DTD)	Rim 18, discØ 350	Diesel	4WD	1999	110	150	09.17-	■
2.0 D180 AWD (204DTD)	Rim 18	Diesel	4WD	1999	132	179	09.17-	■
2.0 D240 AWD (204DTA)	Rim 18, discØ 350	Diesel	4WD	1999	177	241	09.17-	■

LAND ROVER

DEFENDER III Sport Wagon (L663) 09.19-

Closed Off-Road Vehicle (Off-Road SUV-J Segment)

P300 Si4 4x4 (PT204)	Rim 18, discØ 349	Gasolina	4WD	1997	221	300	09.19-	■
P425 4x4		Gasolina	4WD	5000	313	426	05.24-	■
P500 4x4		Gasolina	4WD	5000	368	500	04.23-	■
P525 4x4	Rim 18, discØ 349	Gasolina	4WD	5000	386	525	05.21-	■
P300e Hybrid 4x4		Gasol./el éc.	4WD	1997	221	300	06.24-	■
P300 MHEV 4x4		Gasol./el éc.	4WD	1997	221	300	07.23-	■
P400e Hybrid 4x4 (PT204)	Rim 18, discØ 349	Gasol./el éc.	4WD	1997	221	300	09.20-	■
P400e Hybrid 4x4 (PT204)	Rim 18, discØ 349	Gasol./el éc.	4WD	1997	297	404	09.20-	■
P300 MHEV 4x4 (AJ20P6)	discØ 349, Rim 18	Gasol./el éc.	4WD	2996	221	300	05.22-	■
P400 I6 MHEV 4x4 (PT306)	Rim 18, discØ 349	Gasol./el éc.	4WD	2996	294	400	09.19-	■

LISTA DE APLICACIONES - BUYERS GUIDE

P635 OCTA MHEV 4x4		Gasol./el éc.	4WD	4395	467	635	05.24-	■	
2.0 D200 MHEV 4x4 (AJ20D4)		Diesel/el éc.	4WD	1997	147	200	09.20-	■	
D200 MHEV 4x4 (AJ20D6)	Rim 18, discØ 349	Diesel/el éc.	4WD	2997	147	200	09.20-	■	
D250 MHEV 4x4 (AJ20D6)	Rim 18, discØ 349	Diesel/el éc.	4WD	2997	183	249	09.20-	■	
D300 MHEV 4x4 (AJ20D6)	Rim 18, discØ 349	Diesel/el éc.	4WD	2997	221	300	09.20-	■	
D350 MHEV 4x4		Diesel/el éc.	4WD	2997	258	350	05.24-	■	
D200 SD4 4x4 (204DT)	Rim 18, discØ 349	Diesel	4WD	1999	147	200	09.19-	■	
D240 SD4 4x4 (204DT)	Rim 18, discØ 349	Diesel	4WD	1999	177	241	09.19-	■	
DEFENDER III Van (L663) 02.20-							Closed Off-Road Van (Off-Road SUV-J Segment)		
2.0 P300 Si4 4x4 (PT204)	Rim 18, discØ 349	Gasolina	4WD	1997	221	300	02.20-	■	
2.0 P400e Hybrid 4x4 (PT204)	Rim 18, discØ 349	Gasol./el éc.	4WD	1997	221	300	09.20-	■	
2.0 P400e Hybrid 4x4 (PT204)	Rim 18, discØ 349	Gasol./el éc.	4WD	1997	297	404	09.20-	■	
3.0 P400 I6 MHEV 4x4 (PT306)	Rim 18, discØ 349	Gasol./el éc.	4WD	2996	294	400	02.20-	■	
2.0 D200 MHEV 4x4 (AJ20D4)		Diesel/el éc.	4WD	1997	147	200	09.20-	■	
3.0 D200 MHEV 4x4 (AJ20D6)	Rim 18, discØ 349	Diesel/el éc.	4WD	2997	147	200	09.20-	■	
3.0 D250 MHEV 4x4 (AJ20D6)	discØ 349, Rim 18	Diesel/el éc.	4WD	2997	183	249	09.20-	■	
3.0 D300 MHEV 4x4 (AJ20D6)	discØ 349, Rim 18	Diesel/el éc.	4WD	2997	221	300	09.20-	■	
3.0 D350 MHEV 4x4		Diesel/el éc.	4WD	2997	258	351	05.24-	■	
2.0 D200 SD4 4x4 (204DT)	Rim 18, discØ 349	Diesel	4WD	1999	147	200	02.20-	■	
2.0 D240 SD4 4x4 (204DT)	Rim 18, discØ 349	Diesel	4WD	1999	177	241	02.20-	■	
DISCOVERY V / LR5 (L462) 09.16-							SUV Van (Executive SUV-J Segment)		
2.0 Si4 4x4	Rim 18, ch- JA000001	Gasolina	4WD	1997	221	300	09.17-	■	
3.0 SCV6 4x4	Rim 18, ch- JA000001	Gasolina	4WD	2995	250	340	09.16-	■	
3.0 D300 MHEV 4x4	Rim 18, ch- JA000001	Diesel/el éc.	4WD	2997	221	300	12.20-	■	
2.0 Td4 4x4	Rim 18, ch- JA000001	Diesel	4WD	1999	132	179	09.16-12.18	■	
2.0 SD4 4x4	Rim 18, ch- JA000001	Diesel	4WD	1999	177	241	09.16-	■	
3.0 Td6 4x4	Rim 18, ch- JA000001	Diesel	4WD	2993	190	258	09.16-	■	
3.0 SDV6 4x4	Rim 18, ch- JA000001	Diesel	4WD	2993	225	306	09.18-	■	
DISCOVERY V / LR5 (L462) 09.16-							SUV (Executive SUV-J Segment)		
2.0 Si4 4x4 (PT204)	Rim 18, ch- JA000001	Gasolina	4WD	1997	221	300	09.17-	■	
3.0 SCV6 4x4 (306PS)	Rim 18, ch- JA000001	Gasolina	4WD	2995	250	340	09.16-	■	
P360 MHEV 4x4	Rim 18, ch- JA000001	Gasol./el éc.	4WD	2996	265	360	12.20-	■	
D250 MHEV 4x4	Rim 18, ch- JA000001	Diesel/el éc.	4WD	2997	183	249	12.20-	■	
D300 MHEV 4x4	Rim 18, ch- JA000001	Diesel/el éc.	4WD	2997	221	300	12.20-	■	
D350 MHEV 4x4		Diesel/el éc.	4WD	2997	257	349	05.24-	■	
2.0 Td4 4x4 (204DTD)	Rim 18, ch- JA000001	Diesel	4WD	1999	132	180	09.16-	■	
2.0 SD4 4x4 (204DTA)	Rim 18, ch- JA000001	Diesel	4WD	1999	177	241	09.16-	■	
3.0 D 4x4 (306DT)	Rim 18, ch- JA000001	Diesel	4WD	2993	155	211	09.16-	■	
3.0 D 4x4 (306DT)	Rim 18, ch- JA000001	Diesel	4WD	2993	183	249	09.16-	■	
3.0 Td6 4x4 (306DT)	Rim 18, ch- JA000001	Diesel	4WD	2993	190	258	09.16-	■	
3.0 SDV6 4x4 (306DT)	ch- JA000001	Diesel	4WD	2993	225	306	09.18-	■	

LISTA DE APLICACIONES - BUYERS GUIDE

DISCOVERY SPORT (L550) 09.14-						SUV Van (Executive SUV-J Segment)			
Si4 4x4	Rim 18, discØ 349, -ch LH999999, Syst. Standard Performance	Gasolina	4WD	1997	177	241	12.17-	■	
Si4 4x4	Rim 18, discØ 349, -ch LH999999, Syst. Standard Performance	Gasolina	4WD	1997	213	290	08.17-	■	
Si4 4x4	Rim 18, discØ 349, -ch LH999999, Syst. Standard Performance	Gasolina	4WD	1999	177	241	01.17-	■	
eD4 E-Capability	Rim 18, discØ 349, -ch LH999999, Syst. Standard Performance	Diesel	FWD	1999	110	150	08.15-	■	
TD4 4x4	Rim 18, discØ 349, -ch LH999999, Syst. Standard Performance	Diesel	4WD	1999	110	150	12.14-	■	
TD4 4x4	Rim 18, discØ 349, -ch LH999999, Syst. Standard Performance	Diesel	4WD	1999	132	179	06.15-	■	
SD4 4x4	Rim 18, discØ 349, -ch LH999999, Syst. Standard Performance	Diesel	4WD	1999	177	241	08.17-	■	
DISCOVERY SPORT (L550) 09.14-						SUV (Executive SUV-J Segment)			
2.0 P200 4x4 (PT204)	Rim 18, discØ 349, -ch LH999999, Syst. Standard Performance	Gasolina	4WD	1997	147	200	07.20-	■	
2.0 4x4 (PT204)	discØ 349, Rim 18	Gasolina	4WD	1997	177	241	12.17-	■	
2.0 Si4 4x4		Gasolina	4WD	1997	177	241	12.17-	■	
2.0 P250 4x4 (PT204)	Rim 18, discØ 349, -ch LH999999, Syst. Standard Performance	Gasolina	4WD	1997	183	249	05.19-	■	
2.0 4x4 (PT204)	discØ 349, Rim 18	Gasolina	4WD	1997	213	290	08.17-	■	
2.0 4x4 (204PT)	discØ 349, Rim 18	Gasolina	4WD	1999	177	241	11.14-	■	
2.0 P200 FLEX MHEV 4x4 (PT204)		Gasol./etanol/eléc	4WD	1997	147	200	09.20-	■	
2.0 Si4 FLEX 4x4 (PT204)	Rim 18, discØ 349, -ch LH999999, Syst. Standard Performance	Gasol./Etanol	4WD	1997	177	241	12.18-	■	
1.5 P300e Hybrid 4x4 (AJ20P3)		Gasol./eléc.	4WD	1498	147	200	02.20-	■	
1.5 P300e Hybrid 4x4 (AJ20P3)		Gasol./eléc.	4WD	1498	227	309	02.20-	■	
2.0 P200 MHEV 4x4 (PT204)		Gasol./eléc.	4WD	1997	147	200	05.19-	■	
2.0 P250 MHEV 4x4 (PT204)		Gasol./eléc.	4WD	1997	184	250	05.19-	■	
2.0 P290 MHEV 4x4 (PT204)	Rim 18, discØ 349, -ch LH999999, Syst. Standard Performance	Gasol./eléc.	4WD	1997	213	290	07.20-	■	
2.0 D165 MHEV 4x4 (AJ20D4)	Rim 18, discØ 349, -ch LH999999, Syst. Standard Performance	Diesel/eléc.	4WD	1997	120	163	07.20-	■	
2.0 D200 MHEV 4x4 (AJ20D4)	Rim 18, discØ 349, -ch LH999999, Syst. Standard Performance	Diesel/eléc.	4WD	1997	150	204	07.20-	■	
2.0 D150 MHEV 4x4 (204DTD)		Diesel/eléc.	4WD	1999	110	150	05.19-	■	
2.0 D180 MHEV 4x4 (204DTD)		Diesel/eléc.	4WD	1999	132	179	05.19-	■	
2.0 D240 MHEV 4x4 (204DTA)		Diesel/eléc.	4WD	1999	177	241	05.19-	■	
2.0 D (204DTD)	discØ 349, Rim 18	Diesel	FWD	1999	110	150	08.15-	■	
2.0 D 4x4 (204DTD)	discØ 349, Rim 18	Diesel	4WD	1999	110	150	12.14-	■	
2.0 D165 (204DTD)	Rim 18, discØ 349, -ch LH999999, Syst. Standard Performance	Diesel	FWD	1999	120	163	07.20-	■	
2.0 D 4x4 (204DTD)	discØ 349, Rim 18	Diesel	4WD	1999	132	180	06.15-	■	
2.0 D 4x4 (204DTA)	discØ 349, Rim 18	Diesel	4WD	1999	177	241	08.17-	■	

LISTA DE APLICACIONES - BUYERS GUIDE

2.2 D 4x4 (224DT)	discØ 349, Rim 18	Diesel	4WD	2179	110	150	09.14-	■
2.2 D 4x4 (224DT)	discØ 349, Rim 18	Diesel	4WD	2179	140	190	09.14-	■
RANGE ROVER IV (L405) 08.12-					SUV (Luxury Crossover SUV-J Segment)			
3.0 SCV6 4x4 (306PS)		Gasolina	4WD	2995	250	340	10.13-09.21	■
3.0 SCV6 4x4 (306PS)		Gasolina	4WD	2995	280	380	06.15-09.21	■
3.0P400 4x4 (PT306)	Rim 18, Syst. High Performance	Gasolina	4WD	2996	294	400	07.20-09.21	■
2.0 P400e Hybrid 4x4 (PT204)	ch- JA000001	Gasol./el éc.	4WD	1997	221	300	10.17-	■
2.0 P400e Hybrid 4x4 (PT204)	ch- JA000001	Gasol./el éc.	4WD	1997	297	404	10.17-09.21	■
P360 MHEV 4x4 (PT306)	Rim 18, Syst. High Performance	Gasol./el éc.	4WD	2996	265	360	12.19-09.21	■
3.0 P400 MHEV 4x4 (PT306)		Gasol./el éc.	4WD	2996	294	400	05.19-09.21	■
D250 MHEV 4x4 (AJ20D6)	Syst. High Performance, Rim 18	Diesel/el éc.	4WD	2997	183	249	07.20-09.21	■
D300 MHEV 4x4 (AJ20D6)	Rim 18, discØ 349, Syst. High Performance	Diesel/el éc.	4WD	2997	221	300	07.20-09.21	■
D350 MHEV 4x4 (AJ20D6)	Rim 18, discØ 349, Syst. High Performance	Diesel/el éc.	4WD	2997	258	351	07.20-09.21	■
D350 MHEV 4x4		Diesel/el éc.	4WD	2997	258	351	11.20-	■
3.0 TDV6 4x4 (306DT)	ch- JA000001	Diesel	4WD	2993	155	211	10.13-01.16	■
3.0 SDV6 4x4 (306DT)	ch- JA000001	Diesel	4WD	2993	183	249	08.12-01.16	■
3.0 TDV6 4x4 (306DT)	ch- JA000001	Diesel	4WD	2993	190	258	08.12-09.21	■
3.0 SDV6 4x4 (306DT)		Diesel	4WD	2993	202	275	10.18-09.21	■
3.0 SDV6 4x4 (306DT)	Rim 18	Diesel	4WD	2993	215	292	10.12-09.21	■
D300 4x4 (AJ20D6)	Rim 18, Syst. High Performance	Diesel	4WD	2997	221	300	07.20-	■
D350 4x4 (AJ20D6)	Rim 18, Syst. High Performance	Diesel	4WD	2997	258	351	07.20-	■
RANGE ROVER EVOQUE (L538) 11.15-					Convertible (Compact SUV-J Segment)			
2.0 4x4 (PT204)	Rim 18	Gasolina	4WD	1997	177	241	08.17-12.19	■
2.0 4x4 (204PT)		Gasolina	4WD	1999	177	241	11.15-12.19	■
2.0 D 4x4 (204DTA)	Rim 18	Diesel	4WD	1999	177	241	08.17-12.19	■
RANGE ROVER EVOQUE (L538) 06.11-12.19					SUV Van (Compact SUV-J Segment)			
Si4 4x4	Rim 18	Gasolina	4WD	1999	177	241	09.13-12.19	■
RANGE ROVER EVOQUE (L538) 06.11-					SUV (Compact SUV-J Segment)			
2.0 4x4 (PT204)	Rim 18	Gasolina	4WD	1997	177	241	08.17-12.19	■
2.0 4x4 (PT204)	Rim 18	Gasolina	4WD	1997	213	290	08.17-12.19	■
2.0 4x4 (204PT)		Gasolina	4WD	1999	176	240	09.11-12.19	■
2.0 4x4 (204PT)		Gasolina	4WD	1999	177	241	06.11-12.19	■
2.0 D 4x4 (204DTA)	Rim 18	Diesel	4WD	1999	177	241	08.17-12.19	■
RANGE ROVER EVOQUE II (L551) 12.18-					SUV (Compact SUV-J Segment)			
2.0 P200 4x4 (PT204)	discØ 349	Gasolina	4WD	1997	147	200	12.18-	■
2.0 P250 4x4 (PT204)	discØ 349	Gasolina	4WD	1997	184	250	12.18-	■
2.0 P300 4x4 (PT204)	discØ 349, Rim 18	Gasolina	4WD	1997	221	300	07.20-	■
2.0 P200 FLEX MHEV 4x4 (PT204)	discØ 349, Rim 18	Gasol./et anol/eléc	4WD	1997	147	200	09.20-	■
2.0 P200 FLEX 4x4		Gasol./Et anol	4WD	1997	147	200	12.18-	■
1.5 P160 MHEV (AJ20P3)	Rim 18, discØ 349, -ch LH999999, Syst. Standard Performance	Gasol./el éc.	FWD	1498	118	160	09.20-	■
1.5 P300e Hybrid 4x4 (AJ20P3)		Gasol./el éc.	4WD	1498	147	200	02.20-	■

LISTA DE APLICACIONES - BUYERS GUIDE

1.5 P300e Hybrid 4x4 (AJ20P3)		Gasol./el éc.	4WD	1498	227	309	02.20-	■	
2.0 P200 MHEV 4x4 (PT204)	discØ 349	Gasol./el éc.	4WD	1997	147	200	12.18-	■	
2.0 P250 MHEV 4x4 (PT204)	discØ 349	Gasol./el éc.	4WD	1997	183	249	12.18-	■	
2.0 P300 MHEV 4x4 (PT204)	discØ 349	Gasol./el éc.	4WD	1997	221	300	12.18-	■	
2.0 D165 MHEV 4x4 (AJ20D4)	Rim 18, discØ 349, -ch LH999999, Syst. Standard Performance	Diesel/el éc.	4WD	1997	120	163	07.20-	■	
2.0 D200 MHEV 4x4 (AJ20D4)	Rim 18, discØ 349, -ch LH999999, Syst. Standard Performance	Diesel/el éc.	4WD	1997	150	204	07.20-	■	
2.0 D150 MHEV 4x4 (204DTD)	discØ 349	Diesel/el éc.	4WD	1999	110	150	12.18-	■	
2.0 D180 MHEV 4x4 (204DTD)	discØ 349	Diesel/el éc.	4WD	1999	132	180	12.18-	■	
2.0 D240 MHEV 4x4 (204DTA)	discØ 349	Diesel/el éc.	4WD	1999	177	241	12.18-	■	
2.0 D165 (AJ20D4)	Rim 18, discØ 349, -ch LH999999, Syst. Standard Performance	Diesel	FWD	1997	120	163	07.20-	■	
2.0 D165 4x4 (AJ20D4)	discØ 349, Rim 18	Diesel	4WD	1997	120	163	07.20-	■	
2.0 D200 4x4 (AJ20D4)	discØ 349, Rim 18	Diesel	4WD	1997	150	204	07.20-	■	
2.0 D150 (204DTD)	discØ 349	Diesel	FWD	1999	110	150	12.18-	■	
2.0 D150 4x4 (204DTD)	discØ 349	Diesel	4WD	1999	110	150	12.18-	■	
2.0 D180 4x4 (204DTD)	discØ 349	Diesel	4WD	1999	132	180	12.18-	■	
RANGE ROVER SPORT II (L494) 04.13-					SUV (Luxury Crossover SUV-J Segment)				
2.0 Si4 4x4 (PT204)	ch- JA000001, Rim 18, Performance brakes	Gasolina	4WD	1997	221	300	10.17-03.22	■	
5.0 SCV8 4x4 (508PS)	Rim 18, Performance brakes	Gasolina	4WD	4999	386	525	11.17-03.22	■	
2.0 P400e PHEV 4x4 (PT204)	ch- JA000001, Rim 18, Performance brakes	Gasol./el éc.	4WD	1997	221	300	10.17-	■	
2.0 P400e PHEV 4x4 (PT204)	ch- JA000001, Rim 18, Performance brakes	Gasol./el éc.	4WD	1997	297	404	10.17-03.22	■	
3.0 P360 MHEV 4x4 (PT306)	Rim 18, Syst. Standard Performance, Syst. HIGH PERFORMANCE	Gasol./el éc.	4WD	2996	265	360	06.19-03.22	■	
3.0 P400 MHEV 4x4 (AJ20P6)	Rim 18, Syst. HIGH PERFORMANCE, Syst. STANDARD PERFORMANCE	Gasol./el éc.	4WD	2996	294	400	02.19-03.22	■	
3.0 D250 MHEV 4x4 (AJ20D6)	Rim 18, discØ 349, Syst. High Performance	Diesel/el éc.	4WD	2997	183	249	07.20-03.22	■	
3.0 D300 MHEV 4x4 (AJ20D6)	Rim 18, discØ 349, Syst. Standard Performance, Syst. HIGH PERFORMANCE	Diesel/el éc.	4WD	2997	221	300	07.20-03.22	■	
3.0 D350 MHEV 4x4 (AJ20D6)	Rim 18, discØ 349, Syst. High Performance	Diesel/el éc.	4WD	2997	258	351	07.20-03.22	■	
2.0 SD4 4x4 (204DTA)	ch- JA000001, Performance brakes, Rim 18	Diesel	4WD	1999	177	241	08.16-03.22	■	
3.0 SDV6 4x4 (306DT)		Diesel	4WD	2993	183	249	04.13-03.22	■	
3.0 TDV6 4x4 (306DT)		Diesel	4WD	2993	190	258	04.13-03.22	■	
3.0 SDV6 4x4 (306DT)		Diesel	4WD	2993	225	306	09.14-03.22	■	
3.0 D250 4x4 (AJ20D6)	Rim 18, Syst. Standard Performance, Syst. HIGH PERFORMANCE	Diesel	4WD	2997	183	249	07.20-03.22	■	
3.0 D300 4x4 (AJ20D6)	Rim 18, Syst. Standard Performance, Syst. HIGH PERFORMANCE	Diesel	4WD	2997	221	300	07.20-03.22	■	
3.0 D350 4x4 (AJ20D6)	Rim 18, Syst. Standard Performance, Syst. HIGH PERFORMANCE	Diesel	4WD	2997	258	351	07.20-03.22	■	

LAND ROVER (CHERY)

LISTA DE APLICACIONES - BUYERS GUIDE

DISCOVERY SPORT (L550) 02.20-					Closed Off-Road Vehicle (Executive SUV-J Segment)			
P300e Plug-in Hybrid AWD (PT153)	Gasol./el éc.	4WD	1498	147	200	11.20-	■	
P300e Plug-in Hybrid A las 4 ruedas (PT153, TZ-180-X-S-C01)	Gasol./el éc.	4WD	1498	227	309	11.20-	■	
Mild Hybrid AWD (PT204)	Gasol./el éc.	4WD	1997	147	200	02.20-	■	
P250 S Mild Hybrid A las 4 ruedas (PT204)	Gasol./el éc.	4WD	1997	183	249	02.20-	■	
RANGE ROVER EVOQUE (L551) 07.19-					SUV (Compact SUV-J Segment)			
Mild Hybrid A las 4 ruedas (PT204)	Gasol./el éc.	4WD	1997	183	249	07.19-	■	