

LISTA DE APLICACIONES - BUYERS GUIDE

182336

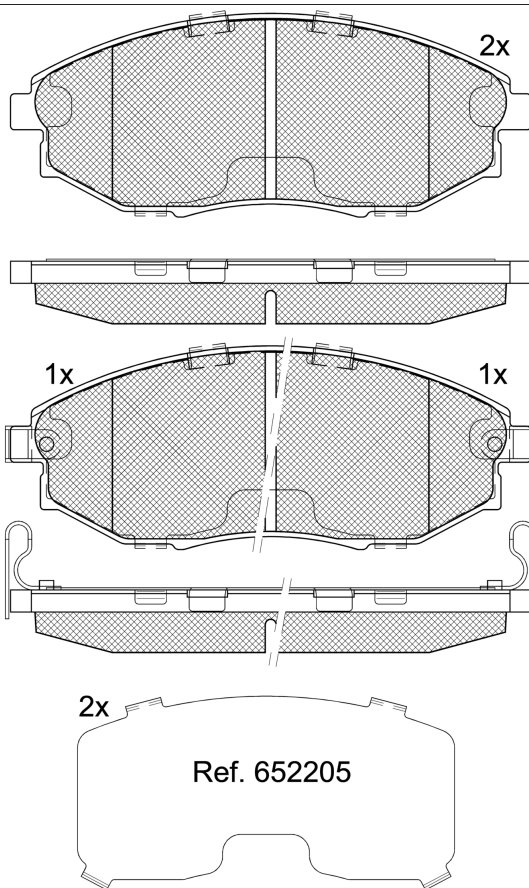


8 424073 185617

Qty: 300

Weight: 1.845

O.E.M.	MAKE
55200-86Z00	SUZUKI
9647 5027	DAEWOO
9695 2179	DAEWOO



182336

E 9 90R-02A0111/2677



Sumitomo

143.9x56.35x18.3

143.9x56.36x18.3

WVA	FMSI
24864	D1031-7936
24865	
24866	

MAKE
CHEVROLET
CHEVROLET (SGM)
DAEWOO
HOLDEN
SUZUKI



Trac.	CC	Kw	CV
-------	----	----	----



Front / Rear

CHEVROLET

EPICA (U.S.A.) 09.03-12.10

Saloon (Executive car-E Segment)

Model	Code	Fuel	Trac.	CC	Kw	CV	Period	Icon
2.0 (LBM)	-ch 112278	Gasolina	FWD	1993	105	144	06.06-12.11	■
2.0 (LF3(121CUL6))	-ch 112278	Gasolina	FWD	1993	105	144	06.06-12.11	■
2.0 (L88)	-ch 112278	Gasolina	FWD	1998	94	128	01.05-12.06	■
2.0	-ch 112278	Gasolina	FWD	1998	96	131	08.06-12.11	■
2.0 (L88)	-ch 112278	Gasolina	FWD	1998	98	133	01.05-12.06	■
2.5 (LBK)	-ch 112278	Gasolina	FWD	2492	115	156	06.06-12.11	■
2.5 (LF4(152CUL6))	-ch 112278	Gasolina	FWD	2492	115	156	06.06-12.11	■
2.0 LPG (LBM)		Gasol./G as (LPG)	FWD	1993	105	144	04.07-12.10	■
2.0 LPG (LBM)		Gasol./G as (LPG)	FWD	1993	105	144	04.07-12.10	■
2.0 LPG (LF3(121CUL6))		Gasol./G as (LPG)	FWD	1993	105	144	04.07-12.10	■
2.0 D (LLW)		Diesel	FWD	1991	110	150	01.07-12.11	■

CHEVROLET (SGM)

EPICA (SEV, CEV) 04.05-12.15

Saloon (Executive car-E Segment)

1.8 (2H0)		Gasolina	FWD	1797	105	143	10.09-12.15	■
2.0 (L34)		Gasolina	FWD	1998	95	129	04.05-09.09	■
2.0 (T20SED)		Gasolina	FWD	1998	95	129	04.05-09.09	■

DAEWOO

TOSCA 02.06-

Saloon (Executive car-E Segment)

2.0 XT (X 20 D1)		Gasolina	FWD	1993	105	143	02.06-	■
2.5 Executive (X 25 D1)		Gasolina	FWD	2492	115	156	02.06-	■

LISTA DE APLICACIONES - BUYERS GUIDE

2.0 LPG	-ch 112278	Gasol./Gas (LPG)	FWD	1993	101	137	02.06-	■
2.0 TDCi		Diesel	FWD	1991	110	150	02.06-	■
HOLDEN								
EPICA (EP) 03.07-					Saloon (Executive car-E Segment)			
2.0 i	-ch 112278	Gasolina	FWD	1993	105	143	03.07-06.08	■
2.5 i	-ch 112278	Gasolina	FWD	2492	115	154	03.07-12.11	■
TD	-ch 112278	Diesel	RWD	1991	110	150	07.08-12.11	■
SUZUKI								
VERONA (U.S.A.) 09.03-12.06					Saloon (Executive car-E Segment)			
2.5 24V S,LX,EX	01/04-	Gasolina	FWD	2495	114	155	09.03-	■