

# LISTA DE APLICACIONES - BUYERS GUIDE

## 182338

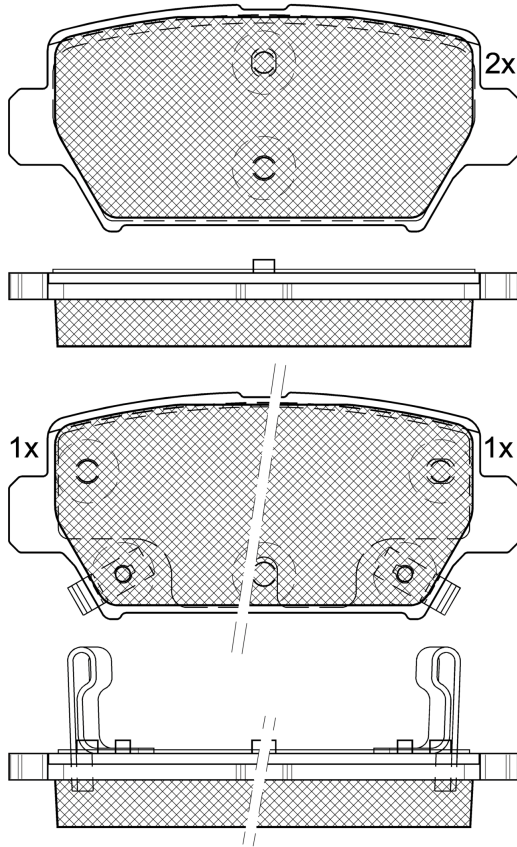


8 424073 188052

Qty: 300

Weight: 795

O.E.M.	MAKE
46 05B 997	mitsubishi
46 05C 012	MITSUBISHI



## 182338



### 90R-02A0111/5388



Mobis

96.8x43x14.6

WVA	FMSI
22994	D2156-9399
22995	
22996	
MAKE	
mitsubishi	



Trac.	CC	Kw	CV
-------	----	----	----



Front / Rear

### MITSUBISHI

#### ECLIPSE CROSS (GK\_, GL\_) 10.17-

#### SUV (Compact SUV-J Segment)

1.5 (GK1W) (4B40)	not elec.brak.detent	Gasolina	FWD	1499	110	150	10.17-	■
1.5 4WD (GK1W)	not elec.brak.detent	Gasolina	4WD	1499	110	150	10.17-	■
1.5 T-Mivec	not elec.brak.detent	Gasolina	FWD	1499	112	152	10.17-	■
1.5 T-Mivec 4WD (GK1W) (4B40)	not elec.brak.detent	Gasolina	4WD	1499	112	152	10.17-	■
1.5 T-Mivec (4B40)	not elec.brak.detent	Gasolina	FWD	1499	120	163	10.17-	■
1.5 T-Mivec 4WD (4B40)	not elec.brak.detent	Gasolina	4WD	1499	120	163	10.17-	■
2.0		Gasolina	FWD	1998	110	150	05.18-	■
2.0 4WD (GK2W)	not elec.brak.detent	Gasolina	4WD	1998	110	150	05.18-	■
2.2 DiD 4WD (GK9W) (4N14)	not elec.brak.detent	Diesel	4WD	2268	109	148	03.19-	■