

LISTA DE APLICACIONES - BUYERS GUIDE

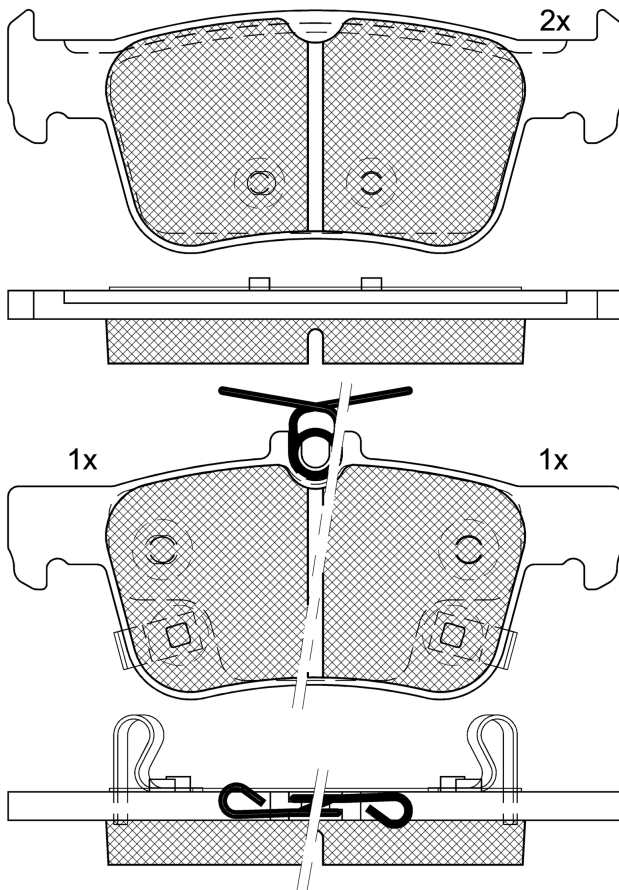
182339



Qty: 300

Weight: 1.050

O.E.M.	MAKE
43022-T38-A01	ACURA
43022-TVA-A03	HONDA
43022-TVA-A04	HONDA
43022-TVA-A51	HONDA
43022-TXM-A02	HONDA



182339

E 9 90R-02A0111/5494



Ate - Teves

122.5x48.4x15.2
122.5x53.4x15.2

WVA	FMSI
22916	D2102-9106
22917	D2102-9335
22918	

MAKE
HONDA
HONDA (GAC)



Trac.	CC	Kw	CV
-------	----	----	----



Front / Rear

HONDA

ACCORD X (CV) 10.17-							Saloon (Executive car-E Segment)			
1.5 iVTEC (CV1)	01/18-	Gasolina	FWD	1498	138	188	10.17-			■
1.5 iVtec		Gasolina	FWD	1498	140	190	07.19-			■
1.5 VTEC		Gasolina	FWD	1498	143	194	10.18-			■
1.5 VTEC (CV1) (L15BE)	01/18-	Gasolina	FWD	1498	146	198	10.17-			■
1.5 iVTEC (CV1)		Gasolina	FWD	1498	148	201	02.20-			■
2.0 iVTEC (CV2) (K20C4)	01/18-	Gasolina	FWD	1996	182	247	10.17-			■
2.0 iVTEC		Gasolina	FWD	1996	184	250	11.18-			■
2.0 iVTEC		Gasolina	FWD	1996	188	256	01.18-			■
2.0 iVtec Hybrid Flex (CV3)		Gasol./etanol/eléc	FWD	1993	107	145	03.19-			■
1.5 iVTEC Flex		Gasol./Etanol	FWD	1498	140	190	03.19-			■
2.0 Hybrid (CV2, CV3)		Gasol./eléc.	FWD	1993	158	215	10.18-			■

HONDA (GAC)

ACCORD X (CV_) 04.18-							Saloon (Compact executive car-D Segment)			
230 TURBO (L15BM)		Gasolina	FWD	1498	130	177	05.18-			■
260 TURBO (L15BN)		Gasolina	FWD	1498	143	194	05.18-			■
HEV (LFB11)		Gasol./eléc.	FWD	1993	107	145	08.18-			■