

LISTA DE APLICACIONES - BUYERS GUIDE

182348

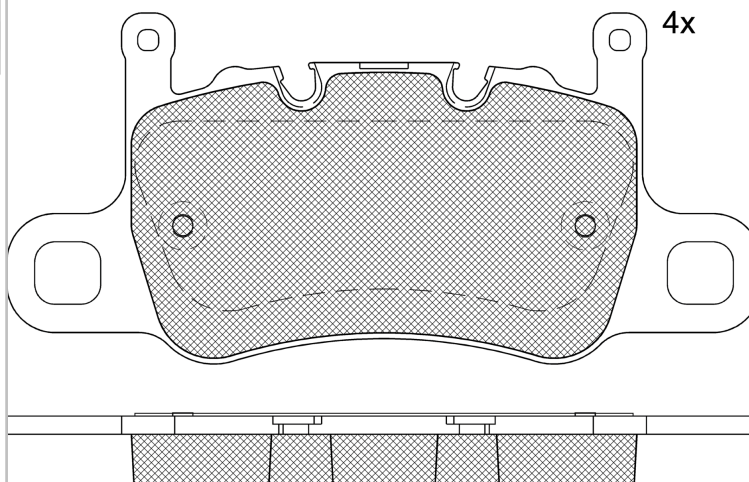


8 424073 189134

Qty: 300

Weight: 2.470

O.E.M.	MAKE
991 352 948 80	PORSCHE
991 352 948 81	PORSCHE



182348

E 9 90R-02A0111/4330



Brembo

187.5x87.2x17.9

WVA	FMSI
25512	D1740-8963
MAKE	
PORSCHE	



Trac.	CC	Kw	CV



Front / Rear

PORSCHE

718 BOXSTER (982) 04.16-							Convertible (Sports car-S Segment)			
2.5 GTS (982340, 982341, 982380) (MDJ.UA)	not ceramic disc	Gasolina	RWD	2497	269	365	10.17-		■	
2.5 GTS (982340, 982341, 982380) (MDJ.UB)	not ceramic disc	Gasolina	RWD	2497	269	365	10.17-		■	
718 CAYMAN (982) 04.16-							Coupe (Sports car-S Segment)			
2.5 GTS (982140, 982141) (DPHB)	not ceramic disc	Gasolina	RWD	2497	269	365	10.17-		■	
2.5 GTS (982140, 982141) (MDJ.UA)	not ceramic disc	Gasolina	RWD	2497	269	365	10.17-		■	
2.5 GTS (982140, 982141) (MDJ.UB)	not ceramic disc	Gasolina	RWD	2497	269	365	10.17-		■	
911 (991) 05.11-12.20							Coupe (Sports car-S Segment)			
3.8 Sport Classic (992130)		Gasolina	RWD	3745	405	551	01.21-05.25		■	
3.8 Turbo (992430)		Gasolina	4WD	3745	427	581	03.20-05.25		■	
3.8 GT3 (MA1.75)	not ceramic disc	Gasolina	RWD	3799	350	475	08.13-05.17		■	
3.8 GT3 (MA1.75)	not ceramic disc	Gasolina	RWD	3799	354	481	01.14-05.17		■	
4.0 GT3 (MA1.77)	not ceramic brakes, not ceramic disc	Gasolina	RWD	3996	368	500	05.17-12.20		■	
4.0 GT3 (MDG.GA)	not ceramic brakes, not ceramic disc	Gasolina	RWD	3996	368	500	05.17-12.20		■	
4.0 GT3 RS / R (MA1.76)	not ceramic brakes, not ceramic disc	Gasolina	RWD	3996	368	500	04.15-12.20		■	
4.0 GT3 RS / R (MDG.GA)	not ceramic brakes, not ceramic disc	Gasolina	RWD	3996	368	500	04.15-12.20		■	
GT3 (992810, 992812)		Gasolina	RWD	3996	375	510	05.21-		■	
GT3 RS (992850)		Gasolina	RWD	3996	386	525	09.22-05.24		■	
S/T (992880)		Gasolina	RWD	3996	386	525	06.23-05.24		■	
CAYENNE III (9YA) 05.17-							SUV (Luxury Crossover SUV-J Segment)			
4.0 Turbo GT AWD (9YBCQ1)		Gasolina	4WD	3996	471	640	10.20-05.23		■	

LISTA DE APLICACIONES - BUYERS GUIDE

4.0 Turbo S E-Hybrid AWD (9YBCH1)		Gasol./el éc.	4WD	3996	500	680	05.17-05.23	■	
4.0 Turbo S E-Hybrid AWD (9YBCH1) (DCUA)		Gasol./el éc.	4WD	3996	500	680	01.19-05.23	■	
CAYMAN II (981) 03.13-					Coupe (Sports car-S Segment)				
3.8 GT4 (MDB.XA)	not ceramic brakes, not ceramic disc	Gasolina	RWD	3800	283	385	01.15-05.16	■	