

LISTA DE APLICACIONES - BUYERS GUIDE

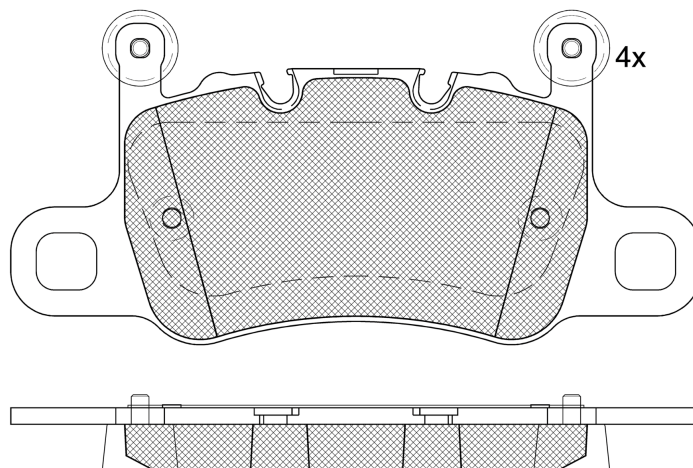
182348-208



Qty: 300

Weight: 2.685

| O.E.M. | MAKE |
|----------------|---------|
| 971 698 451 B | BENTLEY |
| 971 698 451 E | PORSCHE |
| 971 698 451 J | PORSCHE |
| 971 698 451 N | PORSCHE |
| 981 352 948 80 | PORSCHE |
| 981 352 949 80 | PORSCHE |
| 991 352 946 01 | PORSCHE |
| 991 352 947 01 | PORSCHE |
| 991 352 947 05 | PORSCHE |
| 991 352 948 82 | PORSCHE |
| 991 352 948 83 | PORSCHE |
| 991 352 949 80 | PORSCHE |
| 991 352 949 81 | PORSCHE |
| 992 698 093 E | PORSCHE |
| 992698451L | PORSCHE |
| 9GT 698 451 G | PORSCHE |
| 9GT 698 451 P | PORSCHE |
| 9Y0 698 451 D | PORSCHE |
| 9Y0698451AA | PORSCHE |
| 9Y0698451AJ | PORSCHE |
| 9Y0698451N | PORSCHE |



182348-208

E 9 90R-02A0111/5431



Brembo

187.5x90.8x17.9

| WVA | FMSI |
|-------|------------|
| 22177 | D1740-8963 |
| 25512 | D2046-9276 |
| | D2046-9696 |

| MAKE |
|---------|
| BENTLEY |
| PORSCHE |



| Trac. | CC | Kw | CV |
|-------|----|----|----|
|-------|----|----|----|



Front / Rear

BENTLEY

| CONTINENTAL V (3S_) 12.18- | | | | | | Convertible (Luxury car-F Segment) | | |
|------------------------------------|--|----------|-----|------|-----|------------------------------------|--------|---|
| 6.0 AWD (DDBD) | | Gasolina | 4WD | 5950 | 467 | 635 | 12.18- | ■ |
| CONTINENTAL V (3S3) 09.17- | | | | | | Coupe (Luxury car-F Segment) | | |
| 6.0 W12 AWD (DDBD) | | Gasolina | 4WD | 5950 | 467 | 635 | 09.17- | ■ |
| FLYING SPUR II (ZG2_, Z32_) 04.19- | | | | | | Saloon (Luxury car-F Segment) | | |
| 6.0 W12 TSI 4WD (ZG21BB) (DDBD) | | Gasolina | 4WD | 5950 | 467 | 635 | 04.19- | ■ |

PORSCHE

| 718 BOXSTER Spyder (982) 07.19- | | | | | | Convertible (Sports car-S Segment) | | |
|---------------------------------|--|----------|-----|------|-----|------------------------------------|-------------|---|
| 4.0 (982510, 982511) (DKDA) | | Gasolina | RWD | 3995 | 309 | 420 | 07.19- | ■ |
| 718 CAYMAN (982) 04.16- | | | | | | Coupe (Sports car-S Segment) | | |
| 4.0 GT4 (982810, 982811) (DKDA) | Caja de doble embrague 7 vel., Manual Trans.6-speed | Gasolina | RWD | 3995 | 309 | 420 | 07.19- | ■ |
| 4.0 GT4 RS (982850, 982851) | | Gasolina | RWD | 3996 | 368 | 500 | 11.21- | ■ |
| 911 (991) 03.12- | | | | | | Convertible (Sports car-S Segment) | | |
| 3.0 Carrera (DCKA) | | Gasolina | RWD | 2981 | 272 | 370 | 11.15-12.19 | ■ |
| 3.0 Carrera (MDC.KA) | | Gasolina | RWD | 2981 | 272 | 370 | 11.15-12.19 | ■ |
| 3.0 Carrera 4 (DCKA) | | Gasolina | 4WD | 2981 | 272 | 370 | 11.15-12.19 | ■ |
| 3.0 Carrera 4 (MDC.KA) | | Gasolina | 4WD | 2981 | 272 | 370 | 11.15-12.19 | ■ |
| 3.0 Carrera 4S (DCHA) | | Gasolina | 4WD | 2981 | 309 | 420 | 11.15-12.19 | ■ |
| 3.0 Carrera 4S (MDC.HA) | | Gasolina | 4WD | 2981 | 309 | 420 | 11.15-12.19 | ■ |
| 3.0 Carrera S (DCHA) | | Gasolina | RWD | 2981 | 309 | 420 | 11.15-12.19 | ■ |
| 3.0 Carrera S (MDC.HA) | | Gasolina | RWD | 2981 | 309 | 420 | 11.15-12.19 | ■ |
| 3.0 Carrera 4 GTS (MDC.JA) | | Gasolina | 4WD | 2981 | 331 | 450 | 03.17-12.19 | ■ |

LISTA DE APLICACIONES - BUYERS GUIDE

| | | | | | | | | | |
|------------------------------|---------|----------|-----|------|-----|-----|-------------------------------------|---|--|
| 3.0 Carrera GTS (MDC.JA) | | Gasolina | RWD | 2981 | 331 | 450 | 03.17-12.19 | ■ | |
| 3.4 Carrera (MA1.04) | | Gasolina | RWD | 3436 | 257 | 350 | 03.12-12.19 | ■ | |
| 3.4 Carrera (MAB.04) | | Gasolina | RWD | 3436 | 257 | 350 | 03.12-12.19 | ■ | |
| 3.8 Turbo (992630) | 2EC,2EU | Gasolina | 4WD | 3745 | 427 | 581 | 03.20-05.24 | ■ | |
| 3.8 Turbo S | | Gasolina | 4WD | 3745 | 478 | 650 | 03.20- | ■ | |
| 3.8 Turbo S (992650) | 2EC,2EU | Gasolina | 4WD | 3745 | 478 | 650 | 03.20-05.24 | ■ | |
| 3.8 Carrera S (MA1.03) | | Gasolina | RWD | 3800 | 294 | 400 | 03.12-12.19 | ■ | |
| 3.8 Carrera S (MAB.03) | | Gasolina | RWD | 3800 | 294 | 400 | 03.12-12.19 | ■ | |
| 3.8 Turbo (MA1.71) | | Gasolina | 4WD | 3800 | 383 | 520 | 12.13-05.20 | ■ | |
| 3.8 Turbo (MDA.BA) | | Gasolina | 4WD | 3800 | 397 | 540 | 01.16-05.20 | ■ | |
| 3.8 Turbo S (MA1.71) | | Gasolina | 4WD | 3800 | 412 | 560 | 12.13-05.20 | ■ | |
| 3.8 Turbo S (MDB.CA) | | Gasolina | 4WD | 3800 | 427 | 580 | 01.16-05.20 | ■ | |
| 911 (991) 05.11-12.20 | | | | | | | Coupe (Sports car-S Segment) | | |
| 3.0 Carrera (DCKA) | | Gasolina | RWD | 2981 | 272 | 370 | 11.15-12.19 | ■ | |
| 3.0 Carrera (MDC.KA) | | Gasolina | RWD | 2981 | 272 | 370 | 11.15-12.19 | ■ | |
| 3.0 Carrera 4 (DCKA) | | Gasolina | 4WD | 2981 | 272 | 370 | 11.15-12.19 | ■ | |
| 3.0 Carrera 4 (MDC.KA) | | Gasolina | 4WD | 2981 | 272 | 370 | 11.15-12.19 | ■ | |
| 3.0 Carrera T (DCKA) | | Gasolina | RWD | 2981 | 272 | 370 | 01.18-12.19 | ■ | |
| 3.0 Carrera T (MDC.KA) | | Gasolina | RWD | 2981 | 272 | 370 | 01.18-12.19 | ■ | |
| 3.0 Carrera 4S (DCHA) | | Gasolina | 4WD | 2981 | 309 | 420 | 11.15-12.19 | ■ | |
| 3.0 Carrera 4S (MDC.HA) | | Gasolina | 4WD | 2981 | 309 | 420 | 11.15-12.19 | ■ | |
| 3.0 Carrera S (DCHA) | | Gasolina | RWD | 2981 | 309 | 420 | 11.15-12.19 | ■ | |
| 3.0 Carrera S (MDC.HA) | | Gasolina | RWD | 2981 | 309 | 420 | 11.15-12.19 | ■ | |
| 3.0 Carrera 4 GTS (MDC.JA) | | Gasolina | 4WD | 2981 | 331 | 450 | 03.17-12.19 | ■ | |
| 3.0 Carrera GTS (MDC.JA) | | Gasolina | RWD | 2981 | 331 | 450 | 03.17-12.19 | ■ | |
| 3.4 Carrera (MA1.04) | | Gasolina | RWD | 3436 | 257 | 350 | 12.11-12.19 | ■ | |
| 3.4 Carrera (MAB.04) | | Gasolina | RWD | 3436 | 257 | 350 | 12.11-12.19 | ■ | |
| 3.8 Sport Classic (992130) | | Gasolina | RWD | 3745 | 405 | 551 | 01.21-05.25 | ■ | |
| 3.8 Turbo (992430) | | Gasolina | 4WD | 3745 | 427 | 581 | 03.20-05.25 | ■ | |
| 3.8 Turbo S (992450, 992470) | 2EC,2EU | Gasolina | 4WD | 3745 | 478 | 650 | 03.20-05.25 | ■ | |
| 3.8 GT3 (MA1.75) | | Gasolina | RWD | 3799 | 350 | 475 | 08.13-05.17 | ■ | |
| 3.8 Turbo (MA1.71) | | Gasolina | 4WD | 3800 | 383 | 520 | 09.13-05.20 | ■ | |
| 3.8 Turbo (MDA.BA) | | Gasolina | 4WD | 3800 | 397 | 540 | 01.16-05.20 | ■ | |
| 3.8 Turbo S (MA1.71) | | Gasolina | 4WD | 3800 | 412 | 560 | 09.13-05.20 | ■ | |
| 3.8 Turbo S (MDB.CA) | | Gasolina | 4WD | 3800 | 427 | 580 | 01.16-05.20 | ■ | |
| 3.8 Turbo S (MDB.CA) | | Gasolina | 4WD | 3800 | 446 | 607 | 06.17-05.20 | ■ | |
| 3.8 GT2 RS (MDH.NA) | | Gasolina | RWD | 3800 | 515 | 700 | 07.17-05.20 | ■ | |
| 4.0 GT3 (MA1.77) | | Gasolina | RWD | 3996 | 368 | 500 | 05.17-12.20 | ■ | |
| 4.0 GT3 (MDG.GA) | | Gasolina | RWD | 3996 | 368 | 500 | 05.17-12.20 | ■ | |
| 4.0 GT3 RS / R (MA1.76) | | Gasolina | RWD | 3996 | 368 | 500 | 04.15-12.20 | ■ | |
| 4.0 GT3 RS / R (MDG.GA) | | Gasolina | RWD | 3996 | 368 | 500 | 04.15-12.20 | ■ | |
| GT3 (992810, 992812) | | Gasolina | RWD | 3996 | 375 | 510 | 05.21-12.25 | ■ | |
| 4.0 GT3 RS (MA1.77) | | Gasolina | RWD | 3996 | 383 | 520 | 05.18-12.20 | ■ | |
| 4.0 GT3 RS (MDG.GB) | | Gasolina | RWD | 3996 | 383 | 520 | 05.18-12.20 | ■ | |
| GT3 RS (992850) | | Gasolina | RWD | 3996 | 386 | 525 | 09.22-12.25 | ■ | |
| S/T (992880) | | Gasolina | RWD | 3996 | 386 | 525 | 06.23-12.25 | ■ | |
| 911 (991) 05.14- | | | | | | | Targa (Sports car-S Segment) | | |
| 3.0 Carrera 4 (DCKA) | | Gasolina | 4WD | 2981 | 272 | 370 | 11.15-12.19 | ■ | |
| 3.0 Carrera 4 (MDC.KA) | | Gasolina | 4WD | 2981 | 272 | 370 | 11.15-12.19 | ■ | |
| 3.0 Carrera 4S (DCHA) | | Gasolina | 4WD | 2981 | 309 | 420 | 11.15-12.19 | ■ | |
| 3.0 Carrera 4S (MDC.HA) | | Gasolina | 4WD | 2981 | 309 | 420 | 11.15-12.19 | ■ | |

LISTA DE APLICACIONES - BUYERS GUIDE

| | | | | | | | | | |
|---|---------|---------------|-----|------|---|-----|-------------|---|--|
| 3.0 Carrera 4 GTS (MDC.JA) | | Gasolina | 4WD | 2981 | 331 | 450 | 03.17-12.19 | ■ | |
| 4S (992520) (DRVA) | | Gasolina | 4WD | 2981 | 331 | 450 | 05.20-12.24 | ■ | |
| 911 Speedster (991) 06.18- | | | | | Convertible (Sports car-S Segment) | | | | |
| 4.0 (991890, 991891) (MA1.77) | | Gasolina | RWD | 3996 | 375 | 510 | 06.18-12.20 | ■ | |
| CAYENNE III (9YA) 05.17- | | | | | SUV (Luxury Crossover SUV-J Segment) | | | | |
| 2.9 S AWD (9YABB1) (DCAB) | | Gasolina | 4WD | 2894 | 324 | 441 | 05.17-05.23 | ■ | |
| 2.9 S AWD (9YABB1) (MDC.AB) | | Gasolina | 4WD | 2894 | 324 | 441 | 05.17-05.23 | ■ | |
| 2.9 S AWD (9YBBB1) (DCAB) | | Gasolina | 4WD | 2894 | 324 | 440 | 01.19- | ■ | |
| 3.0 AWD (9YAAA1) (DCBE) | | Gasolina | 4WD | 2995 | 250 | 340 | 05.17-05.23 | ■ | |
| 3.0 AWD (9YAAA1) (MDC.BE) | | Gasolina | 4WD | 2995 | 250 | 340 | 05.17-05.23 | ■ | |
| 3.0 AWD (9YBAA1) (DCBE) | | Gasolina | 4WD | 2995 | 250 | 340 | 01.19- | ■ | |
| 4.0 GTS | | Gasolina | 4WD | 3996 | 338 | 460 | 06.20- | ■ | |
| 4.0 GTS (9YABG1) | 1KK/1KI | Gasolina | 4WD | 3996 | 338 | 460 | 05.17-05.23 | ■ | |
| 4.0 GTS AWD (9YBBG1) | | Gasolina | 4WD | 3996 | 338 | 460 | 05.17-05.23 | ■ | |
| 4.0 Turbo AWD (9YACF1) (DCUA) | | Gasolina | 4WD | 3996 | 404 | 550 | 05.17-05.23 | ■ | |
| 4.0 Turbo AWD (9YACF1) (MDC.UA) | | Gasolina | 4WD | 3996 | 404 | 550 | 05.17-05.23 | ■ | |
| 4.0 Turbo AWD (9YBCF1) (DCUA) | | Gasolina | 4WD | 3996 | 404 | 550 | 01.19- | ■ | |
| 4.0 Turbo GT AWD (9YBCQ1) | | Gasolina | 4WD | 3996 | 471 | 640 | 10.20-05.23 | ■ | |
| 4.0 Turbo S E-Hybrid AWD (9YBCH1) | | Gasol./el éc. | 4WD | 3996 | 500 | 680 | 05.17-05.23 | ■ | |
| 4.0 Turbo S E-Hybrid AWD (9YBCH1) (DCUA) | | Gasol./el éc. | 4WD | 3996 | 500 | 680 | 01.19-05.23 | ■ | |
| CAYMAN II (981) 03.13- | | | | | Coupe (Sports car-S Segment) | | | | |
| 3.8 GT4 (MDB.XA) | | Gasolina | RWD | 3800 | 283 | 385 | 01.15-05.16 | ■ | |
| PANAMERA II (971) 05.16- | | | | | Hatchback (Sports car-S Segment) | | | | |
| 2.9 4 (97ABY1, 97BBY1, 97BBI1, 97BBM1, 97ABI1) (MDG.PA) | | Gasolina | 4WD | 2894 | 243 | 330 | 05.16-12.23 | ■ | |
| 2.9 4S (97ADB1, 97BDB1, 97ADN1) (MCS.ZA) | | Gasolina | 4WD | 2894 | 324 | 440 | 05.16-12.23 | ■ | |
| 3.0 (97AAA1, 97BAA1) (MCX.TA) | | Gasolina | RWD | 2995 | 243 | 330 | 05.16-12.20 | ■ | |
| 3.0 4 (97ABA1, 97BBA1) (MCX.TA) | | Gasolina | 4WD | 2995 | 243 | 330 | 05.16-12.20 | ■ | |
| 4.0 GTS (97ADG1) (CVDD) | | Gasolina | 4WD | 3996 | 338 | 460 | 01.18-12.23 | ■ | |
| 4.0 GTS (97ADS1) | 2EU,2EC | Gasolina | 4WD | 3996 | 353 | 480 | 08.20-12.23 | ■ | |
| 4.0 Turbo (97AFF1, 97BFF1) (MCV.DA) | | Gasolina | 4WD | 3996 | 404 | 550 | 05.16-12.23 | ■ | |
| 2.9 4 E-Hybrid (97ABE1, 97BBE1, 97ABX1) (MDG.PA) | | Gasol./el éc. | 4WD | 2894 | 243 | 330 | 05.16- | ■ | |
| 2.9 4 E-Hybrid (97ABE1, 97BBE1, 97ABX1) (MDG.PA) | | Gasol./el éc. | 4WD | 2894 | 340 | 462 | 05.16-12.23 | ■ | |
| 2.9 4S E-Hybrid | 2EU,2EC | Gasol./el éc. | 4WD | 2894 | 412 | 560 | 08.20-12.23 | ■ | |
| 4.0 Turbo S E-Hybrid (97CFT1) (MCV.DA) | | Gasol./el éc. | 4WD | 3996 | 404 | 550 | 05.17- | ■ | |
| 4.0 Turbo S E-Hybrid (97CFT1) (MCV.DA) | | Gasol./el éc. | 4WD | 3996 | 500 | 680 | 05.17-12.23 | ■ | |
| 4.0 Turbo S E-Hybrid (97CFT1) | 2EU,2EC | Gasol./el éc. | 4WD | 3996 | 515 | 700 | 05.20- | ■ | |
| 4.0 Turbo S E-Hybrid (97CFT1) | | Gasol./el éc. | 4WD | 3996 | 515 | 700 | 05.20-12.23 | ■ | |
| 4.0 S 4 Diesel (97ADD1) (MDB.UC) | | Diesel | 4WD | 3956 | 310 | 422 | 05.16-12.23 | ■ | |
| PANAMERA II Sport Turismo (971) 05.17- | | | | | Estate (Sports car-S Segment) | | | | |
| 2.9 4 (97CBY1, 97CBI1, 97CNI1) (CSZA) | | Gasolina | 4WD | 2894 | 243 | 330 | 05.17-12.23 | ■ | |
| 2.9 4 (97CBY1, 97CBI1, 97CNI1) (MDG.PA) | | Gasolina | 4WD | 2894 | 243 | 330 | 05.17-12.23 | ■ | |
| 2.9 4S (97CDB1) (MCS.ZA) | | Gasolina | 4WD | 2894 | 324 | 440 | 05.17-12.23 | ■ | |
| 3.0 4 (97CBA1) (MCX.TA) | | Gasolina | 4WD | 2995 | 243 | 330 | 05.17-12.20 | ■ | |
| 4.0 GTS (97CDG1) (CVDD) | | Gasolina | 4WD | 3996 | 338 | 460 | 01.18-12.23 | ■ | |
| 4.0 GTS (97CDG1) | 2EU,2EC | Gasolina | 4WD | 3996 | 353 | 480 | 08.20-12.23 | ■ | |

LISTA DE APLICACIONES - BUYERS GUIDE

| | | | | | | | | |
|--|-----------------------------------|------------------|-----|------|-----|-----|-------------|---|
| 4.0 Turbo (97CFF1) (MCV.DA) | | Gasolina | 4WD | 3996 | 404 | 550 | 05.17-12.23 | ■ |
| 2.9 4 E-Hybrid (97CBE1) (MDG.PA) | | Gasol./el éc. | 4WD | 2894 | 243 | 330 | 05.17- | ■ |
| 2.9 4S E-Hybrid (97ADZ1) (CSZA) | PR 2EC, PR 2ET, PR 2EU, PR 2EY | Gasol./el éc. | 4WD | 2894 | 324 | 440 | 08.20- | ■ |
| 2.9 4 E-Hybrid (97CBE1) (MDG.PA) | | Gasol./el éc. | 4WD | 2894 | 340 | 462 | 05.17-12.23 | ■ |
| 2.9 4S E-Hybrid (97CDZ1, 97ADZ1) | 2EU,2EC | Gasol./el éc. | 4WD | 2894 | 412 | 560 | 08.20-12.23 | ■ |
| 4.0 Turbo S E-Hybrid (97CFT1) (MCV.DA) | | Gasol./el éc. | 4WD | 3996 | 500 | 680 | 05.17-12.23 | ■ |
| 4.0 Turbo S E-Hybrid (97CFT1) (MCV.DA) | | Gasol./el éc. | 4WD | 3996 | 500 | 680 | 05.17- | ■ |
| 4.0 Turbo S E-Hybrid (97CFT1) | 2EU,2EC | Gasol./el éc. | 4WD | 3996 | 515 | 700 | 05.20- | ■ |
| 4.0 Turbo S E-Hybrid (97CFT1) | | Gasol./el éc. | 4WD | 3996 | 515 | 700 | 05.20-12.23 | ■ |
| 4.0 S 4 Diesel (97CDD1) (MDB.UC) | | Diesel | 4WD | 3956 | 310 | 422 | 05.17-12.23 | ■ |