

# LISTA DE APLICACIONES - BUYERS GUIDE

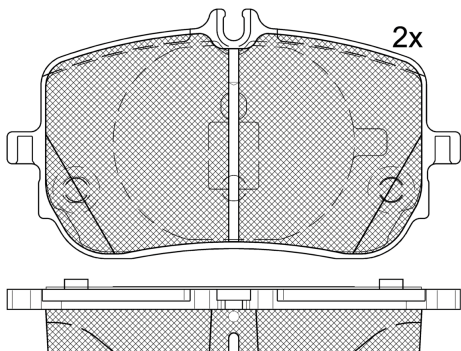
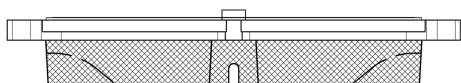
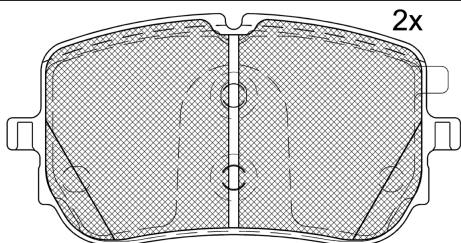
## 182351



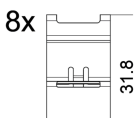
Qty: 300

Weight: 2.415

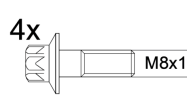
O.E.M.	MAKE
000 420 53 03	MERCEDES-BENZ
000 420 55 03	MERCEDES-BENZ
000 420 71 00	MERCEDES-BENZ
000 420 73 00	MERCEDES-BENZ



1-Ref. 640252 E



1-Ref. 690518 E



2-Ref. 690327 E

## 182351



**90R-02A0111/5372**



Chassis Brake Int. (Bosch)

135.3x69x19.7

135.3x74.5x19.7

VVA	FMSI
22942	D2206-9446
22943	
MAKE	
MERCEDES-BENZ	
MERCEDES-BENZ (BBDC)	



Trac.	CC	Kw	CV



Front / Rear

### MERCEDES-BENZ

A-Class IV (W177) 03.18-							Hatchback (Compact car-C Segment)		
A 220 (177.044) (M 260.920)	not sports package	Gasolina	FWD	1991	140	190	07.18-		■
A 220 4-matic (177.045) (M 260.920)	not sports package	Gasolina	4WD	1991	140	190	07.18-10.19		■
A 220 Mild-Hybrid 4-matic (177.145)		Gasol./el éc.	4WD	1991	140	190	10.22-		■
A 220 d (177.014) (OM 654.920)	not sports package	Diesel	FWD	1950	140	190	11.18-		■
A 220 d 4-matic (177.015) (OM 654.920)	not sports package	Diesel	4WD	1950	140	190	10.19-		■
A-Class IV (V177) 09.18-							Saloon (Compact car-C Segment)		
A 220 (177.144) (M 260.920)	not sports package	Gasolina	FWD	1991	140	190	01.19-		■
A 220 4-matic (177.145) (M 260.920)	not sports package	Gasolina	4WD	1991	140	190	09.18-		■
A 220 Mild-Hybrid 4-matic (177.145)		Gasol./el éc.	4WD	1991	140	190	10.22-		■
A 220 d (177.114) (OM 654.920)	not sports package	Diesel	FWD	1950	140	190	08.19-		■
A 220 d 4-matic (177.115) (OM 654.920)	not sports package	Diesel	4WD	1950	140	190	10.19-		■
B-Class III Sports Tourer (W247) 12.18-							Hatchback (Compact MPV-M1 Segment)		
B 220 (247.044) (M 260.920)	not sports package	Gasolina	FWD	1991	140	190	04.19-		■
B 220 4-matic (247.045) (M 260.920)	not sports package	Gasolina	4WD	1991	140	190	01.19-		■
B 220 Mild-Hybrid 4-matic (247.045)		Gasol./el éc.	4WD	1991	140	190	10.22-		■
B 220 d (247.014) (OM 654.920)	not sports package	Diesel	FWD	1950	140	190	12.18-		■
B 220 d 4-matic (247.015) (OM 654.920)	not sports package	Diesel	4WD	1950	140	190	10.19-		■
CLA-Class II (C118) 03.19-							Coupe (Compact executive car-D Segment)		
CLA 220 4-matic (118.345) (M 260.920)	not sports package	Gasolina	4WD	1991	140	190	03.19-		■

# LISTA DE APLICACIONES - BUYERS GUIDE

CLA 220 Mild-Hybrid 4-matic (118.345)		Gasol./el éc.	4WD	1991	140	190	03.23-	■
CLA 220 d (118.314) (OM 654.920)	not sports package	Diesel	FWD	1950	140	190	04.19-	■
CLA 220 d 4-matic (118.315) (OM 654.920)		Diesel	4WD	1950	140	190	07.20-	■
<b>CLA-Class II Shooting Brake (X118) 06.19-</b>					<b>Estate (Compact executive car-D Segment)</b>			
CLA 220 d (118.614) (OM 654.920)	not sports package	Diesel	FWD	1950	140	190	06.19-	■
CLA 220 d 4-matic (118.615) (OM 654.920)	not sports package	Diesel	4WD	1950	140	190	10.19-	■
<b>GLA-Class II (H247) 02.20-</b>					<b>SUV (Compact SUV-J Segment)</b>			
GLA 200 4-matic (247.788)		Gasolina	4WD	1332	110	150	01.22-	■
GLA 200 (247.787) (M 282.914)	SA M014, not sports package	Gasolina	FWD	1332	120	163	02.20-	■
GLA 200 4-matic (247.788) (M 282.914)	Syst. Standard	Gasolina	4WD	1332	120	163	10.20-	■
GLA 180 Mild-Hybrid (247.784)		Gasol./el éc.	FWD	1332	100	136	03.23-	■
GLA 250 e (247.786) (M 282.914)	SA B01	Gasol./el éc.	FWD	1332	118	160	06.20-	■
GLA 200 Mild-Hybrid (247.787)		Gasol./el éc.	FWD	1332	120	163	03.23-	■
GLA 250 e (247.785)		Gasol./el éc.	FWD	1332	160	218	03.23-	■
GLA 250 e (247.786) (M 282.914)	SA B01	Gasol./el éc.	FWD	1332	160	218	06.20-	■
GLA 180 d (247.710) (OM 654.920)		Diesel	FWD	1950	85	116	03.20-	■
GLA 200 d (247.712) (OM 654.920)	not sports package	Diesel	FWD	1950	110	150	02.20-	■
GLA 200 d 4-matic (247.713) (OM 654.920)	not sports package	Diesel	4WD	1950	110	150	02.20-	■
<b>GLB-CLASS (X247) 07.19-</b>					<b>SUV (Compact SUV-J Segment)</b>			
GLB 180 (247.684) (M 282.914)		Gasolina	FWD	1332	100	136	04.20-	■
GLB 200 (247.687) (M 282.914)	not sports package	Gasolina	FWD	1332	120	163	08.19-	■
GLB 200 4-matic (247.688) (M 282.914)	Syst. STANDARD	Gasolina	4WD	1332	120	163	12.19-03.23	■
GLB 180 Mild-Hybrid (247.684)		Gasol./el éc.	FWD	1332	100	136	03.23-	■
GLB 200 Mild-Hybrid (247.687)		Gasol./el éc.	FWD	1332	120	163	03.23-	■
GLB 180 d (247.610) (OM 654.920)	not sports package	Diesel	FWD	1950	85	116	08.19-	■
<b>MERCEDES-BENZ (BBDC)</b>								
<b>A-Class (W177) 11.18-</b>					<b>Saloon (Compact car-C Segment)</b>			
A 220 L 4-matic (177.045)	not sports package	Gasolina	4WD	1991	140	190	07.19-	■
<b>GLA-Class II (H247) 07.20-</b>					<b>SUV (Compact SUV-J Segment)</b>			
GLA 200 (247.787) (M 282.914)	SA M014, not sports package	Gasolina	FWD	1332	120	163	07.20-	■
GLA 200 4-matic (247.788) (M 282.914)	Syst. Standard	Gasolina	4WD	1332	120	163	09.20-	■
<b>GLB (X247) 11.19-</b>					<b>Closed Off-Road Vehicle (Compact SUV-J Segment)</b>			
180 (247.684)		Gasolina	FWD	1332	100	136	04.20-	■
200 (247.687)	not sports package	Gasolina	FWD	1332	120	163	11.19-	■