

# LISTA DE APLICACIONES - BUYERS GUIDE

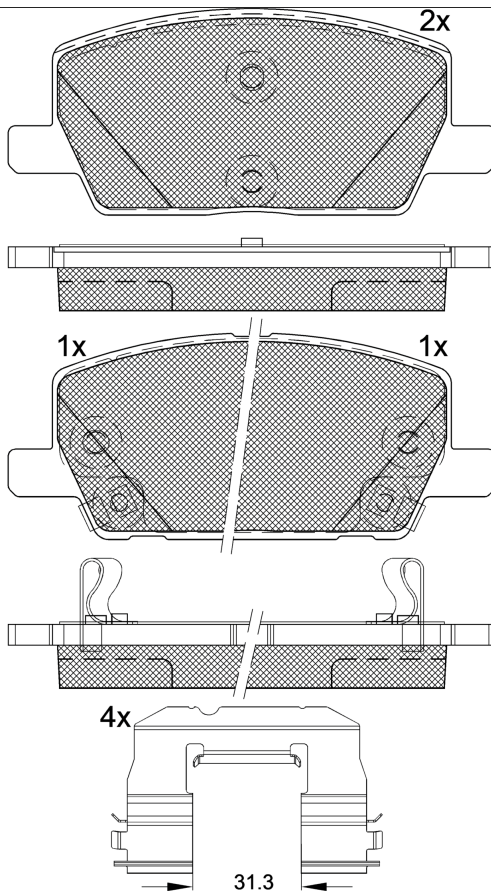
## 182355



Qty: 300

Weight: 1.960

O.E.M.	MAKE
2314 5357	BUICK (SGM)
2332 1903	BUICK (SGM)
42 566 753	VAUXHALL
4256 6748	CHEVROLET (SGM)
4256 6753	CHEVROLET
4267 2635	BUICK (SGM)
84 856 629	VAUXHALL



1-Ref. 690552 E

## 182355

**E 9** 90R-02A0111/5210



Mando

140.7x59.6x19.1

WVA	FMSI
22311	D2019-9144
22312	
22313	

MAKE
BUICK
BUICK (SGM)
CHEVROLET
CHEVROLET (SGM)
OPEL
VAUXHALL



Trac.	CC	Kw	CV
-------	----	----	----



Front / Rear

### BUICK

#### ENCORE GX SUV (4T\_) 09.19-

#### SUV (Mini SUV-J Segment)

1.2 (LIH)	Gasolina	FWD	1199	102	139	09.19-	■
1.2 AWD (L3T)	Gasolina	4WD	1341	116	158	09.19-	■
1.3 (L3T)	Gasolina	FWD	1341	116	158	09.19-	■

### BUICK (SGM)

#### ENCORE II (SM3) 07.19-

#### Closed Off-Road Vehicle (Mini SUV-J Segment)

15T	Gasolina	FWD	999	92	125	07.19-	■
20 AWD	Gasolina	4WD	1341	121	165	07.19-	■
20t	Gasolina	FWD	1341	121	165	07.19-	■
20t	Gasolina	FWD	1341	121	165	07.19-	■

#### ENVISION (CP4) 10.14-

#### Closed Off-Road Vehicle (Compact SUV-J Segment)

20T 1.5	Gasolina	FWD	1490	124	169	04.15-	■
20T 1.5 4WD	Gasolina	4WD	1490	124	169	04.15-	■
2.0 Alas 4 ruedas	Gasolina	FWD	1998	191	260	10.14-	■

### CHEVROLET

#### TRAX / TRACKER 12.12-

#### SUV (Mini SUV-J Segment)

1.4 (LUJ)	Gasolina	FWD	1364	103	140	12.12-	■
1.4 AWD (LUJ)	Gasolina	4WD	1364	103	140	12.12-	■
1.6 (LDE)	Gasolina	FWD	1598	85	116	12.12-	■
1.8 (2H0)	Gasolina	FWD	1796	103	140	03.13-	■
1.8 AWD (2H0)	Gasolina	4WD	1796	103	140	03.13-	■

### CHEVROLET (SGM)

# LISTA DE APLICACIONES - BUYERS GUIDE

TRAX (SJ3) 04.14-					SUV (Mini SUV-J Segment)			
1.4 T		Gasolina	FWD	1372	105	143	11.16-	■
1.4 T AWD	01/18-	Gasolina	FWD	1372	105	143	11.16-	■
OPEL								
INSIGNIA B Grand Sport (Z18) 03.17-					Hatchback (Executive car-E Segment)			
2.0 Turbo	Rim 16, POC J60	Gasolina	FWD	1998	125	170	08.20-	■
2.0 (68)	Rim 16	Gasolina	FWD	1998	147	200	04.20-	■
2.0 CDTi	Rim 16, POC J60	Diesel	FWD	1995	128	174	04.21-	■
2.0 CDTi 4x4	Rim 16, POC J60	Diesel	4WD	1995	128	174	04.21-	■
INSIGNIA B Sports Tourer (Z18) 03.17-					Estate (Executive car-E Segment)			
2.0 (35)	Rim 16	Gasolina	FWD	1998	125	170	11.20-	■
2.0 (35)	Rim 16	Gasolina	FWD	1998	147	200	04.20-	■
2.0 CDTi (35)	Rim 16	Diesel	FWD	1995	128	174	04.20-	■
2.0 CDTi 4x4 (35)	Rim 16	Diesel	4WD	1995	128	174	11.20-	■
MOKKA / MOKKA X (J13) 06.12-					SUV (Mini SUV-J Segment)			
1.4 (_76) (D 14 NEL)	ch- J4000001-JB000001, discØ 300	Gasolina	FWD	1364	88	120	06.18-12.19	■
1.4 (_76) (A 14 NET)	ch- J4000001-JB000001	Gasolina	FWD	1364	103	140	04.13-12.19	■
1.4 (_76) (B 14 NET)	ch- J4000001-JB000001	Gasolina	FWD	1364	103	140	04.13-12.19	■
1.4 (_76) (D 14 NET)	ch- J4000001-JB000001	Gasolina	FWD	1364	103	140	04.13-12.19	■
1.4 4x4 (_76) (A 14 NET)	ch- J4000001-JB000001	Gasolina	4WD	1364	103	140	06.12-12.19	■
1.4 4x4 (_76) (B 14 NET)	ch- J4000001-JB000001	Gasolina	4WD	1364	103	140	06.12-12.19	■
1.4 4x4 (_76) (D 14 NET)	ch- J4000001-JB000001	Gasolina	4WD	1364	103	140	06.12-12.19	■
1.4 4x4 (_76) (B 14 XFT)	ch- J4000001-JB000001	Gasolina	4WD	1399	112	152	06.16-12.19	■
1.6 (_76) (A 16 XER)	ch- J4000001-JB000001	Gasolina	FWD	1598	85	116	06.12-12.19	■
1.6 (_76) (B 16 XER)	ch- J4000001-JB000001	Gasolina	FWD	1598	85	116	06.12-12.19	■
1.6 (_76) (D 16 XER)	ch- J4000001-JB000001	Gasolina	FWD	1598	85	116	06.12-12.19	■
1.8 (_76) (A 18 XER)	ch- J4000001-JB000001	Gasolina	FWD	1796	103	140	01.13-12.19	■
1.8 4x4 (_76) (A 18 XER)	ch- J4000001-JB000001	Gasolina	4WD	1796	103	140	01.13-12.19	■
1.4 LPG (_76) (A 14 NET)	ch- J4000001-JB000001	Gasol./G as (LPG)	FWD	1364	103	140	04.13-12.19	■
1.4 LPG (_76) (B 14 NET)	ch- J4000001-JB000001	Gasol./G as (LPG)	FWD	1364	103	140	04.13-12.19	■
1.4 LPG (_76) (D 14 NET)	ch- J4000001-JB000001	Gasol./G as (LPG)	FWD	1364	103	140	04.13-12.19	■
1.6 CDTi (_76) (B 16 DTN)	ch- J4000001-JB000001	Diesel	FWD	1598	81	110	06.15-12.19	■
1.6 CDTi (_76) (B 16 DTU)	ch- J4000001-JB000001	Diesel	FWD	1598	81	110	06.15-12.19	■
1.6 CDTi 4x4 (_76) (D 16 DTN)	ch- J4000001-JB000001	Diesel	4WD	1598	81	110	03.18-12.19	■
1.6 CDTi (_76) (A 16 DTH)	ch- J4000001-JB000001	Diesel	FWD	1598	100	136	01.15-12.19	■
1.6 CDTi (_76) (B 16 DTH)	ch- J4000001-JB000001	Diesel	FWD	1598	100	136	01.15-12.19	■
1.6 CDTi (_76) (D 16 DTH)	ch- J4000001-JB000001	Diesel	FWD	1598	100	136	01.15-12.19	■
1.6 CDTi 4x4 (_76) (B 16 DTH)	ch- J4000001-JB000001	Diesel	4WD	1598	100	136	01.15-12.19	■
1.6 CDTi 4x4 (_76) (D 16 DTH)	ch- J4000001-JB000001	Diesel	4WD	1598	100	136	01.15-12.19	■
1.7 CDTi (_76) (A 17 DTS)	ch- J4000001-JB000001	Diesel	FWD	1686	96	131	06.12-12.19	■
1.7 CDTi 4x4 (_76) (A 17 DTS)	ch- J4000001-JB000001	Diesel	4WD	1686	96	131	06.12-12.19	■
MOKKA / MOKKA X VAN (J13) 06.12-					SUV Van (Mini SUV-J Segment)			
1.6 CDTi (76)		Diesel	FWD	1598	100	136	03.18-	■
VAUXHALL								
INSIGNIA Mk II (B) (Z18) 03.17-					Hatchback (Executive car-E Segment)			
2.0 T	Rim 16	Gasolina	FWD	1998	147	200	04.20-	■
1.5 CDTi (F 15 DVH)	Rim 16, POC J60	Diesel	FWD	1496	90	122	02.20-	■

# LISTA DE APLICACIONES - BUYERS GUIDE

2.0 D (68)	Rim 16	Diesel	FWD	1995	128	174	02.20-	■	
<b>MOKKA / MOKKA X (J13) 06.12-</b>					<b>SUV (Mini SUV-J Segment)</b>				
1.4 (A 14 NET)	ch- J4000001-JB000001	Gasolina	FWD	1364	103	140	04.13-12.19	■	
1.4 (B 14 NET)	ch- J4000001-JB000001	Gasolina	FWD	1364	103	140	04.13-12.19	■	
1.4 (D 14 NET)	ch- J4000001-JB000001	Gasolina	FWD	1364	103	140	04.13-12.19	■	
1.4 4x4 (A 14 NET)	ch- J4000001-JB000001	Gasolina	4WD	1364	103	140	06.12-12.19	■	
1.4 4x4 (B 14 NET)	ch- J4000001-JB000001	Gasolina	4WD	1364	103	140	06.12-12.19	■	
1.4 4x4 (D 14 NET)	ch- J4000001-JB000001	Gasolina	4WD	1364	103	140	06.12-12.19	■	
1.4 4x4 (B 14 XFT)	ch- J4000001-JB000001	Gasolina	4WD	1399	112	152	06.16-12.19	■	
1.6 (A 16 XER)	ch- J4000001-JB000001	Gasolina	FWD	1598	85	116	06.12-12.19	■	
1.6 (B 16 XER)	ch- J4000001-JB000001	Gasolina	FWD	1598	85	116	06.12-12.19	■	
1.6 (D 16 XER)	ch- J4000001-JB000001	Gasolina	FWD	1598	85	116	06.12-12.19	■	
1.6 CDTi (B 16 DTN)	ch- J4000001-JB000001	Diesel	FWD	1598	81	110	06.15-12.19	■	
1.6 CDTi (B 16 DTU)	ch- J4000001-JB000001	Diesel	FWD	1598	81	110	06.15-12.19	■	
1.6 CDTi (A 16 DTH)	ch- J4000001-JB000001	Diesel	FWD	1598	100	136	01.15-12.19	■	
1.6 CDTi (B 16 DTH)	ch- J4000001-JB000001	Diesel	FWD	1598	100	136	01.15-12.19	■	
1.6 CDTi (D 16 DTH)	ch- J4000001-JB000001	Diesel	FWD	1598	100	136	01.15-12.19	■	
1.6 CDTi 4x4 (A 16 DTH)	ch- J4000001-JB000001	Diesel	4WD	1598	100	136	01.15-12.19	■	
1.6 CDTi 4x4 (B 16 DTH)	ch- J4000001-JB000001	Diesel	4WD	1598	100	136	01.15-12.19	■	
1.6 CDTi 4x4 (D 16 DTH)	ch- J4000001-JB000001	Diesel	4WD	1598	100	136	01.15-12.19	■	
1.7 CDTi (A 17 DTS)	ch- J4000001-JB000001	Diesel	FWD	1686	96	131	06.12-12.19	■	
1.7 CDTi 4x4 (A 17 DTS)	ch- J4000001-JB000001	Diesel	4WD	1686	96	131	06.12-12.19	■	