

LISTA DE APLICACIONES - BUYERS GUIDE

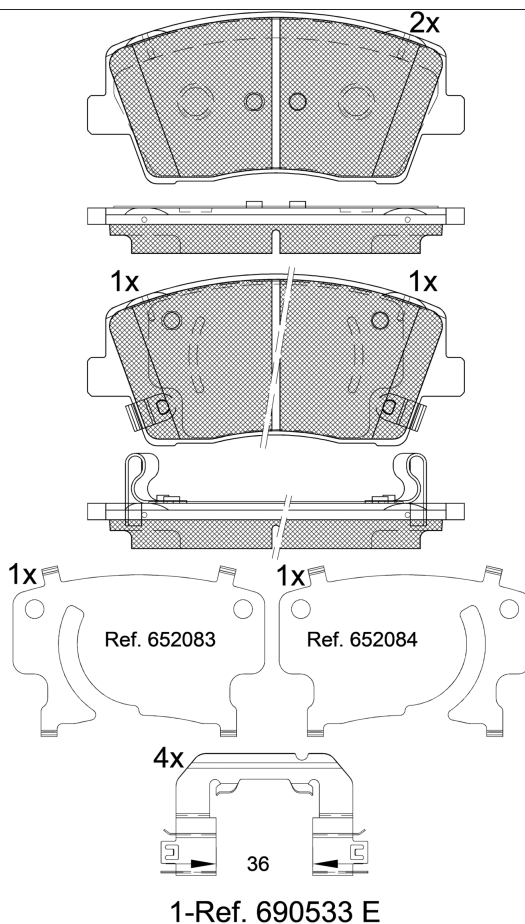
182368



Qty: 300

Weight: 2.040

O.E.M.	MAKE
58101-G9A20	GENESIS
58101-J5A25	GENESIS



182368

90R-02A0111/5262



140.7x64.2x18

WVA	FMSI
22934	D2419-9643
22935	
22936	
MAKE	
GENESIS	
KIA	



Trac.	CC	Kw	CV
-------	----	----	----



Front / Rear

GENESIS

G70 (IK) 09.17-

Saloon (Sports car-S Segment)

Engine	Rim	Fuel	Drivetrain	Year	Kw	CV	Period	Icon
2.0 T-GDI	Rim 18	Gasolina	RWD	1998	145	197	06.21-	■
2.0 T-GDi HTRAC	Rim 18	Gasolina	4WD	1998	145	197	06.21-	■
2.0 T-GDI	Rim 18	Gasolina	RWD	1998	180	245	06.21-	■
2.0 T-GDi HTRAC	Rim 18	Gasolina	4WD	1998	180	245	06.21-	■
2.0 T-GDI (G4KL)	Rim 18	Gasolina	RWD	1998	185	252	09.17-01.20	■
2.0 T-GDi HTRAC (G4KL)	Rim 18	Gasolina	4WD	1998	185	252	09.17-01.20	■
2.0 T-GDI		Gasolina	RWD	1998	188	255	09.17-	■
2.0 T-GDi HTRAC		Gasolina	4WD	1998	188	255	09.17-	■
3.3 T-GDi		Gasolina	RWD	3342	272	370	09.17-01.20	■
3.3 T-GDi HTRAC (G6DP)		Gasolina	4WD	3342	272	370	09.17-01.20	■

G70 Shooting Brake (IK) 06.21-

Estate (Sports car-S Segment)

2.0 T-GDI	Rim 18	Gasolina	RWD	1998	145	197	06.21-	■
2.0 T-GDi HTRAC	Rim 18	Gasolina	4WD	1998	145	197	06.21-	■
2.0 T-GDI		Gasolina	RWD	1998	180	245	06.21-	■
2.0 T-GDi HTRAC	Rim 18	Gasolina	4WD	1998	180	245	06.21-	■

KIA

STINGER (CK) 06.17-

Hatchback (Executive car-E Segment)

2.0 T-GDI (G4KL)		Gasolina	RWD	1998	145	197	07.18-12.23	■
2.0 T-GDi 4WD (G4KL)		Gasolina	4WD	1998	145	197	07.18-12.23	■
2.0 T-GDI (G4KL)		Gasolina	RWD	1998	180	245	07.18-12.23	■
2.0 T-GDI (G4KL)		Gasolina	RWD	1998	182	247	06.17-12.23	■
2.0 T-GDi 4WD (G4KL)		Gasolina	4WD	1998	182	247	06.17-12.23	■

LISTA DE APLICACIONES - BUYERS GUIDE

2.0 T-GDI (G4KL)	Gasolina	RWD	1998	184	250	06.17-	■
2.0 T-GDI (G4KL)	Gasolina	RWD	1998	188	256	06.17-12.23	■
2.0 T-GDi 4WD (G4KL)	Gasolina	4WD	1998	188	256	06.17-12.23	■
STINGER Van (CK) 06.17-				Hatchback Van (Executive car-E Segment)			
2.0 T-GDI (G4KL)	Gasolina	RWD	1998	180	245	07.18-12.23	■