

# LISTA DE APLICACIONES - BUYERS GUIDE

## 182370

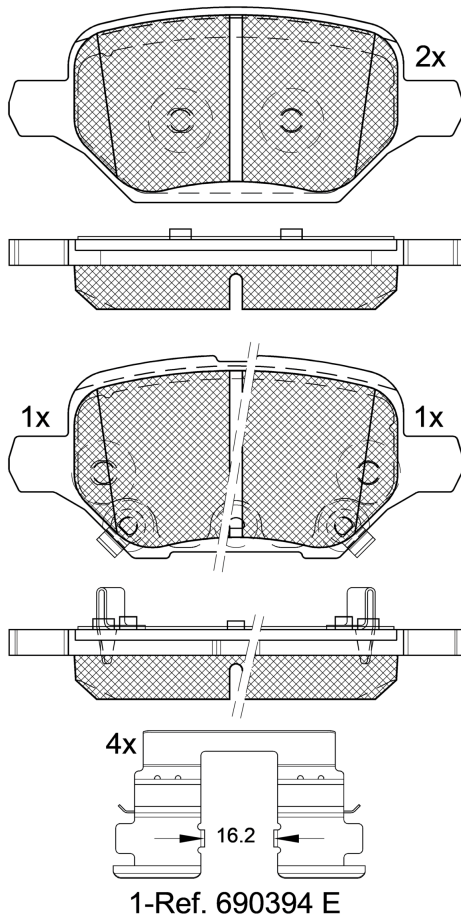


8 424073 193100

Qty: 300

Weight: 990

O.E.M.	MAKE
42 539 412	VAUXHALL
42 539 413	GM
42 539 416	GM
42 676 740	BUICK (SGM)
4267 6739	CHEVROLET
4267 6740	CHEVROLET
4278 8828	CHEVROLET



## 182370

E 9 90R-02A0111/5482



Trw

106.4x45.8x17

106.4x47.5x17

WVA	FMSI
22930	D2168-9412
22931	
22932	

MAKE
BUICK
BUICK (SGM)
CHEVROLET
OPEL
VAUXHALL



Trac.	CC	Kw	CV
-------	----	----	----



Front / Rear

### BUICK

ENCORE SUV 09.12-							SUV (Mini SUV-J Segment)		
1.4 (LUV)	01/17-	Gasolina	FWD	1364	103	140	09.12-		■

### BUICK (SGM)

ENCORE (SJ2) 07.12-							SUV (Mini SUV-J Segment)		
1.4	01/17-	Gasolina	FWD	1364	103	140	07.12-11.13		■
1.4	01/17-	Gasolina	FWD	1364	103	140	07.12-11.13		■
1.4 T	01/17-	Gasolina	FWD	1364	103	140	10.12-		■
1.4 T A las 4 ruedas	01/17-	Gasolina	FWD	1364	103	140	10.12-		■

### CHEVROLET

TRAX / TRACKER 12.12-							SUV (Mini SUV-J Segment)		
1.4 (LUJ)	01/18-	Gasolina	FWD	1364	103	140	12.12-		■
1.4 AWD (LUJ)	01/18-	Gasolina	4WD	1364	103	140	12.12-		■
1.6 (LDE)	01/18-	Gasolina	FWD	1598	85	116	12.12-		■
1.6	01/18-	Gasolina	FWD	1598	85	116	12.12-		■
1.8 (2H0)	01/18-	Gasolina	FWD	1796	103	140	03.13-		■
1.8 AWD (2H0)	01/18-	Gasolina	4WD	1796	103	140	03.13-		■
1.4 LPG (LUJ)	01/18-	Gasol./G as (LPG)	FWD	1364	103	140	04.13-		■
1.6 D (LVL)		Diesel	FWD	1598	100	136	11.14-12.15		■
1.7 TD (LUD)	01/18-	Diesel	FWD	1686	96	131	12.12-		■
1.7 TD AWD (LUD)	01/18-	Diesel	4WD	1686	96	131	12.12-		■

### OPEL

# LISTA DE APLICACIONES - BUYERS GUIDE

<b>MOKKA / MOKKA X (J13) 06.12-</b>						<b>SUV (Mini SUV-J Segment)</b>			
1.4 (_76) (D 14 NEL)	discØ 268, ch- JB000001	Gasolina	FWD	1364	88	120	06.18-12.19	■	
1.4 (_76) (A 14 NET)	ch- JB000001	Gasolina	FWD	1364	103	140	04.13-12.19	■	
1.4 (_76) (B 14 NET)	ch- JB000001	Gasolina	FWD	1364	103	140	04.13-12.19	■	
1.4 (_76) (D 14 NET)	ch- JB000001	Gasolina	FWD	1364	103	140	04.13-12.19	■	
1.4 4x4 (_76) (A 14 NET)	ch- JB000001	Gasolina	4WD	1364	103	140	06.12-12.19	■	
1.4 4x4 (_76) (B 14 NET)	ch- JB000001	Gasolina	4WD	1364	103	140	06.12-12.19	■	
1.4 4x4 (_76) (D 14 NET)	ch- JB000001	Gasolina	4WD	1364	103	140	06.12-12.19	■	
1.4 4x4 (_76) (B 14 XFT)	ch- JB000001	Gasolina	4WD	1399	112	152	06.16-12.19	■	
1.6 (_76) (A 16 XER)	ch- JB000001	Gasolina	FWD	1598	85	116	06.12-12.19	■	
1.6 (_76) (B 16 XER)	ch- JB000001	Gasolina	FWD	1598	85	116	06.12-12.19	■	
1.6 (_76) (D 16 XER)	ch- JB000001	Gasolina	FWD	1598	85	116	06.12-12.19	■	
1.8 (_76) (A 18 XER)	ch- JB000001	Gasolina	FWD	1796	103	140	01.13-12.19	■	
1.8 4x4 (_76) (A 18 XER)	ch- JB000001	Gasolina	4WD	1796	103	140	01.13-12.19	■	
1.4 LPG (_76) (A 14 NET)	ch- JB000001	Gasol./G as (LPG)	FWD	1364	103	140	04.13-12.19	■	
1.4 LPG (_76) (B 14 NET)	ch- JB000001	Gasol./G as (LPG)	FWD	1364	103	140	04.13-12.19	■	
1.4 LPG (_76) (D 14 NET)	ch- JB000001	Gasol./G as (LPG)	FWD	1364	103	140	04.13-12.19	■	
1.6 CDTi (_76) (B 16 DTN)	ch- JB000001	Diesel	FWD	1598	81	110	06.15-12.19	■	
1.6 CDTi (_76) (B 16 DTU)	ch- JB000001	Diesel	FWD	1598	81	110	06.15-12.19	■	
1.6 CDTi 4x4 (_76) (D 16 DTN)	ch- JB000001	Diesel	4WD	1598	81	110	03.18-12.19	■	
1.6 CDTi (_76) (A 16 DTH)	ch- JB000001	Diesel	FWD	1598	100	136	01.15-12.19	■	
1.6 CDTi (_76) (B 16 DTH)	ch- JB000001	Diesel	FWD	1598	100	136	01.15-12.19	■	
1.6 CDTi (_76) (D 16 DTH)	ch- JB000001	Diesel	FWD	1598	100	136	01.15-12.19	■	
1.6 CDTi 4x4 (_76) (B 16 DTH)	ch- JB000001	Diesel	4WD	1598	100	136	01.15-12.19	■	
1.6 CDTi 4x4 (_76) (D 16 DTH)	ch- JB000001	Diesel	4WD	1598	100	136	01.15-12.19	■	
1.7 CDTi (_76) (A 17 DTS)	ch- JB000001	Diesel	FWD	1686	96	131	06.12-12.19	■	
1.7 CDTi 4x4 (_76) (A 17 DTS)	ch- JB000001	Diesel	4WD	1686	96	131	06.12-12.19	■	

<b>MOKKA / MOKKA X VAN (J13) 06.12-</b>						<b>SUV Van (Mini SUV-J Segment)</b>			
1.6 CDTi (76)		Diesel	FWD	1598	100	136	03.18-	■	

## VAUXHALL

<b>MOKKA / MOKKA X (J13) 06.12-</b>						<b>SUV (Mini SUV-J Segment)</b>			
1.4 (A 14 NET)	ch- JB000001	Gasolina	FWD	1364	103	140	04.13-12.19	■	
1.4 (B 14 NET)	ch- JB000001	Gasolina	FWD	1364	103	140	04.13-12.19	■	
1.4 (D 14 NET)	ch- JB000001	Gasolina	FWD	1364	103	140	04.13-12.19	■	
1.4 4x4 (A 14 NET)	ch- JB000001	Gasolina	4WD	1364	103	140	06.12-12.19	■	
1.4 4x4 (B 14 NET)	ch- JB000001	Gasolina	4WD	1364	103	140	06.12-12.19	■	
1.4 4x4 (D 14 NET)	ch- JB000001	Gasolina	4WD	1364	103	140	06.12-12.19	■	
1.4 4x4 (B 14 XFT)	ch- JB000001	Gasolina	4WD	1399	112	152	06.16-12.19	■	
1.6 (A 16 XER)	ch- JB000001	Gasolina	FWD	1598	85	116	06.12-12.19	■	
1.6 (B 16 XER)	ch- JB000001	Gasolina	FWD	1598	85	116	06.12-12.19	■	
1.6 (D 16 XER)	ch- JB000001	Gasolina	FWD	1598	85	116	06.12-12.19	■	
1.6 CDTi (B 16 DTN)	ch- JB000001	Diesel	FWD	1598	81	110	06.15-12.19	■	
1.6 CDTi (B 16 DTU)	ch- JB000001	Diesel	FWD	1598	81	110	06.15-12.19	■	
1.6 CDTi (A 16 DTH)	ch- JB000001	Diesel	FWD	1598	100	136	01.15-12.19	■	
1.6 CDTi (B 16 DTH)	ch- JB000001	Diesel	FWD	1598	100	136	01.15-12.19	■	
1.6 CDTi (D 16 DTH)	ch- JB000001	Diesel	FWD	1598	100	136	01.15-12.19	■	
1.6 CDTi 4x4 (A 16 DTH)	ch- JB000001	Diesel	4WD	1598	100	136	01.15-12.19	■	
1.6 CDTi 4x4 (B 16 DTH)	ch- JB000001	Diesel	4WD	1598	100	136	01.15-12.19	■	
1.6 CDTi 4x4 (D 16 DTH)	ch- JB000001	Diesel	4WD	1598	100	136	01.15-12.19	■	

## LISTA DE APLICACIONES - BUYERS GUIDE

1.7 CDTi (A 17 DTS)	ch- JB000001	Diesel	FWD	1686	96	131	06.12-12.19
1.7 CDTi 4x4 (A 17 DTS)	ch- JB000001	Diesel	4WD	1686	96	131	06.12-12.19

