

# LISTA DE APLICACIONES - BUYERS GUIDE

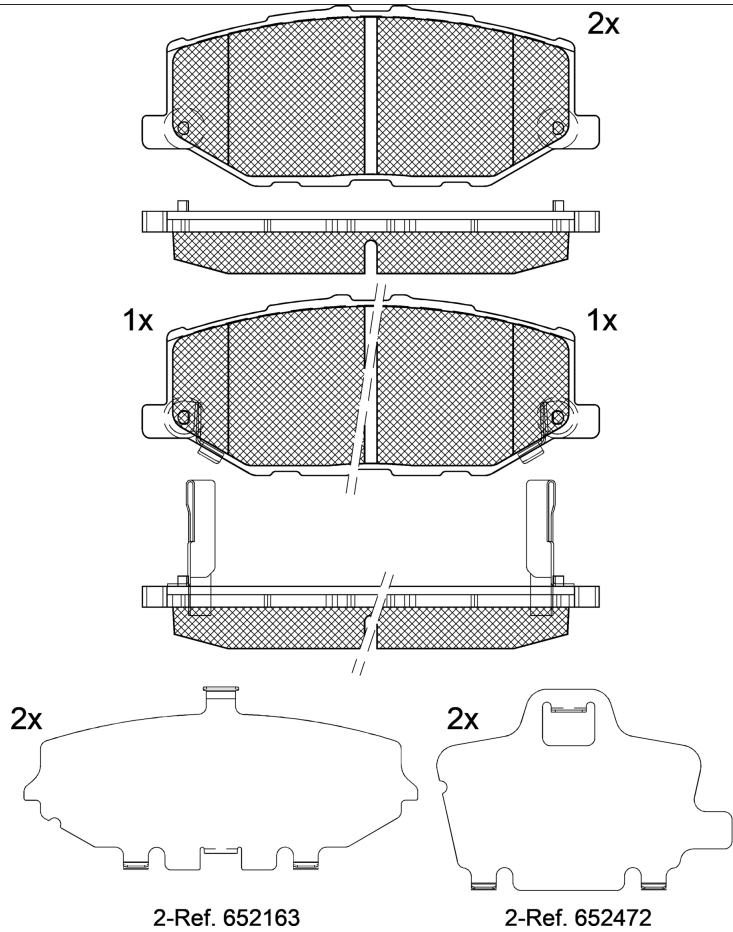
## 182373



Qty: 300

Weight: 885

O.E.M.	MAKE
55810-78R00	SUZUKI
5581078R01	SUZUKI



## 182373

E 9 90R-02A0111/5474



Advics

110.3x43.6x15

WVA	FMSI
21568	D2520-9752
21575	
21617	
MAKE	
SUBARU	
SUZUKI	



Trac.	CC	Kw	CV
-------	----	----	----



Front / Rear

### SUBARU

PLEO II (L275, L285) 04.10-						Hatchback (City car-A Segment)			
0.7 AWD	01/19-	Gasolina	FWD	658	38	52	04.10-	■	
0.7	01/19-	Gasolina	FWD	658	43	58	04.10-	■	
0.7	01/19-	Gasolina	FWD	658	43	58	04.10-	■	
PLEO II PLUS 01.12-						Hatchback (City car-A Segment)			
0.7	01/19-	Gasolina	FWD	658	36	49	01.12-	■	
0.7	01/19-	Gasolina	FWD	658	36	49	01.12-	■	
PLEO II VAN 04.10-						Van (LCVs-N1 Segment)			
0.7	01/19-	Gasolina	FWD	658	43	58	04.10-	■	
0.7	01/19-	Gasolina	FWD	658	43	58	04.10-	■	

### SUZUKI

JIMNY IV (A6G) 07.18-						Closed Off-Road Vehicle (Mini SUV-J Segment)			
1.5 AllGrip (JB74W, JB74V, A6G415) (K15B)		Gasolina	4WD	1462	75	102	07.18-	■	
1.5 XL AllGrip (JC74W)		Gasolina	4WD	1462	75	102	01.23-	■	