

LISTA DE APLICACIONES - BUYERS GUIDE

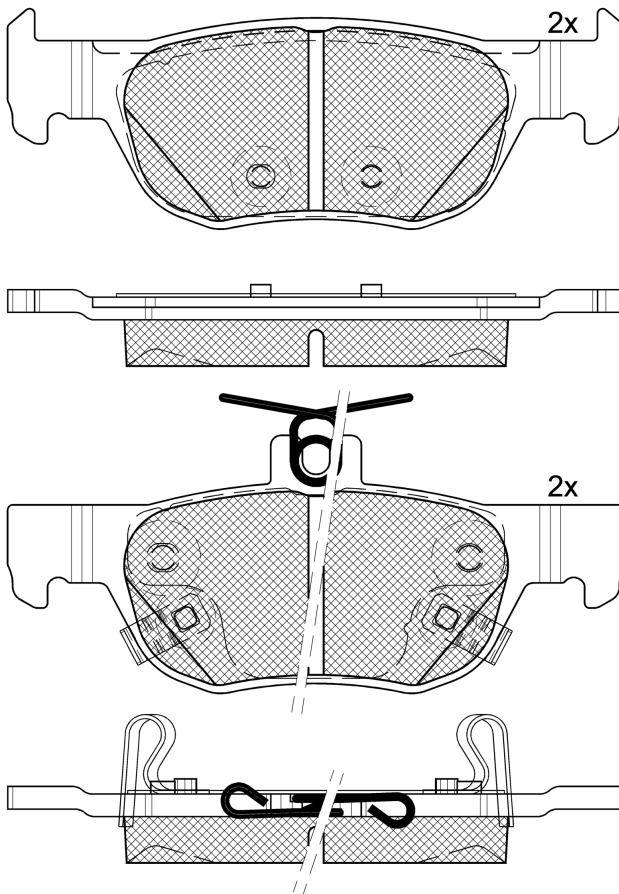
182374



Qty: 300

Weight: 805

| O.E.M. | MAKE |
|--------------|-------|
| BCYA-26-43Z | MAZDA |
| BCYA-26-43ZA | MAZDA |
| BDYS-26-43Z | MAZDA |
| BDYS-26-43ZA | MAZDA |
| DFZ5-26-43Z | MAZDA |
| DFZ5-26-43ZA | MAZDA |
| DGY6-26-43Z | MAZDA |



182374

E 9 90R-02A0111/5487



Ate - Teves

| |
|-----------------|
| 122.9x43.9x14.4 |
| 122.9x51.4x14.4 |

| WVA | FMSI |
|-------|------------|
| 26174 | D2219-9459 |
| 26175 | |
| 26176 | |

| MAKE |
|-----------------|
| MAZDA |
| MAZDA (CHANGAN) |



| Trac. | CC | Kw | CV |
|-------|----|----|----|
|-------|----|----|----|



Front / Rear

MAZDA

| 3 IV / AXELA (BP) 11.18- | | | | | | | Hatchback (Compact car-C Segment) | | | |
|--|--|---------------|-----|------|-----|-----|-----------------------------------|--|--|---|
| 1.5 SKYACTIV-G (BP5P, BP5R) | | Gasolina | FWD | 1496 | 82 | 111 | 05.19- | | | ■ |
| 1.5 SKYACTIV-G (BP5H, BP6H) (P5X4) | | Gasolina | FWD | 1496 | 88 | 120 | 06.19- | | | ■ |
| 2.0 SKYACTIV-G (BP5H, BP6H) (PEXN) | | Gasolina | FWD | 1998 | 110 | 150 | 11.18- | | | ■ |
| 2.0 SKYACTIV-G (BP5H, BP6H) (PEXP) | | Gasolina | FWD | 1998 | 110 | 150 | 11.18- | | | ■ |
| 2.0 SKYACTIV-G (BP2H) | | Gasolina | FWD | 1998 | 114 | 155 | 11.18- | | | ■ |
| 2.0 SKYACTIV-G (BP2H) | | Gasolina | FWD | 1998 | 121 | 165 | 07.19- | | | ■ |
| 2.0 SKYACTIV-G M Hybrid (BP5S, BP6S) (PEXN) | | Gasol./el éc. | FWD | 1998 | 90 | 122 | 11.18- | | | ■ |
| 2.0 SKYACTIV-G M Hybrid (BP5S, BP6S) (PEXN) | | Gasol./el éc. | FWD | 1998 | 110 | 150 | 01.20- | | | ■ |
| SKYACTIV-X M Hybrid (BP2H) (HFY1) | | Gasol./el éc. | FWD | 1998 | 132 | 179 | 06.19- | | | ■ |
| SKYACTIV-X M Hybrid AWD (DM4W7, DMFP) (HFY1) | | Gasol./el éc. | 4WD | 1998 | 132 | 179 | 06.19- | | | ■ |
| SKYACTIV-X M Hybrid | | Gasol./el éc. | FWD | 1998 | 137 | 186 | 02.21- | | | ■ |
| SKYACTIV-X M Hybrid AWD (DM4W7, DMFP) | | Gasol./el éc. | 4WD | 1998 | 137 | 186 | 02.21- | | | ■ |
| 1.8 SKYACTIV-D (BP8P) (S8Y1) | | Diesel | FWD | 1759 | 85 | 116 | 01.19- | | | ■ |
| 1.8 SKYACTIV-D (BP8P) (S8Y2) | | Diesel | FWD | 1759 | 85 | 116 | 01.19- | | | ■ |
| 3 IV / AXELA (BP_) 11.18- | | | | | | | Saloon (Compact car-C Segment) | | | |
| 1.5 SKYACTIV-G (BP5S, BP6S) (P5X4) | | Gasolina | FWD | 1496 | 88 | 120 | 11.18- | | | ■ |
| 2.0 SKYACTIV-G (BP2S) | | Gasolina | FWD | 1998 | 114 | 155 | 11.18- | | | ■ |
| 2.0 SKYACTIV-G M Hybrid (BP5S, BP6S) (PEXN) | | Gasol./el éc. | FWD | 1998 | 90 | 122 | 11.18- | | | ■ |
| 2.0 SKYACTIV-G M Hybrid (BP5S, BP6S) (PEXN) | | Gasol./el éc. | FWD | 1998 | 110 | 150 | 07.20- | | | ■ |

LISTA DE APLICACIONES - BUYERS GUIDE

| | | | | | | | | | |
|--|--|------------------|-----|------|--|-----|--------|---|--|
| 2.0 SKYACTIV-X M Hybrid (BP2S) (HFY1) | | Gasol./el éc. | FWD | 1998 | 132 | 179 | 06.19- | ■ | |
| 2.0 SKYACTIV-X M Hybrid (BP2S) | | Gasol./el éc. | FWD | 1998 | 137 | 186 | 02.21- | ■ | |
| 1.8 SKYACTIV-D (BP8P) (S8Y1) | | Diesel | FWD | 1759 | 85 | 116 | 01.19- | ■ | |
| 1.8 SKYACTIV-D (BP8P) (S8Y2) | | Diesel | FWD | 1759 | 85 | 116 | 01.19- | ■ | |
| CX-30 (DM, DT, ED) 04.19- | | | | | SUV (Compact SUV-J Segment) | | | | |
| 2.0 SKYACTIV-D AWD | | Gasolina | 4WD | 1998 | 114 | 155 | 09.19- | ■ | |
| 2.0 SKYACTIV-G (DM2W7) (PEXP) | | Gasolina | FWD | 1998 | 114 | 155 | 09.19- | ■ | |
| 2.0 SKYACTIV-D AWD | | Gasolina | 4WD | 1998 | 115 | 156 | 08.19- | ■ | |
| 2.0 SKYACTIV-G (DM2W7) (PEXN) | | Gasolina | FWD | 1998 | 115 | 156 | 08.19- | ■ | |
| 2.0 SKYACTIV-G (PEXP) | | Gasolina | FWD | 1998 | 121 | 165 | 09.19- | ■ | |
| 2.5 SKYACTIV-D AWD | | Gasolina | 4WD | 2488 | 139 | 189 | 09.19- | ■ | |
| 2.5 SKYACTIV-G (DM2WL) (PYZC) | | Gasolina | FWD | 2488 | 139 | 189 | 09.19- | ■ | |
| 2.5 SKYACTIV-G (PYZC) | | Gasolina | FWD | 2488 | 143 | 194 | 09.19- | ■ | |
| SKYACTIV-G M Hybrid (PEXN) | | Gasol./el éc. | FWD | 1998 | 90 | 122 | 07.19- | ■ | |
| SKYACTIV-G M Hybrid AWD (DMEW, DMFW) (PEXN) | | Gasol./el éc. | 4WD | 1998 | 90 | 122 | 07.19- | ■ | |
| SKYACTIV-G M Hybrid (DM5W, DM6W) (PEXW) | | Gasol./el éc. | FWD | 1998 | 110 | 150 | 01.20- | ■ | |
| SKYACTIV-G M Hybrid AWD (DMEW, DMFW) (PEXW) | | Gasol./el éc. | 4WD | 1998 | 110 | 150 | 01.20- | ■ | |
| SKYACTIV-X M Hybrid (DMFP) (HFY1) | | Gasol./el éc. | FWD | 1998 | 132 | 179 | 07.19- | ■ | |
| SKYACTIV-X M Hybrid AWD (DM4W7, DMFP) (HFY1) | | Gasol./el éc. | 4WD | 1998 | 132 | 179 | 07.19- | ■ | |
| e-SKYACTIV-X M Hybrid | | Gasol./el éc. | FWD | 1998 | 137 | 186 | 06.21- | ■ | |
| e-SKYACTIV-X M Hybrid AWD | | Gasol./el éc. | 4WD | 1998 | 137 | 186 | 06.21- | ■ | |
| 1.8 SKYACTIV-D (S8Y1) | | Diesel | FWD | 1759 | 85 | 116 | 07.19- | ■ | |
| 1.8 SKYACTIV-D AWD (S8Y1) | | Diesel | 4WD | 1759 | 85 | 116 | 07.19- | ■ | |
| MX-30 (DR) 05.20- | | | | | SUV (Compact SUV-J Segment) | | | | |
| e-SKYACTIV R-EV | | Gasol./el éc. | FWD | 830 | 125 | 170 | 02.23- | ■ | |
| e-SKYACTIV (MH01) | | Eléctrico | FWD | | 105 | 143 | 05.20- | ■ | |
| e-SKYACTIV (DR1W) (MH01) | | Eléctrico | FWD | | 107 | 145 | 05.20- | ■ | |
| MAZDA (CHANGAN) | | | | | | | | | |
| CX-30 05.20- | | | | | Closed Off-Road Vehicle (Compact SUV-J Segment) | | | | |
| 2.0 | | Gasolina | FWD | 1998 | 116 | 158 | 05.20- | ■ | |