

LISTA DE APLICACIONES - BUYERS GUIDE

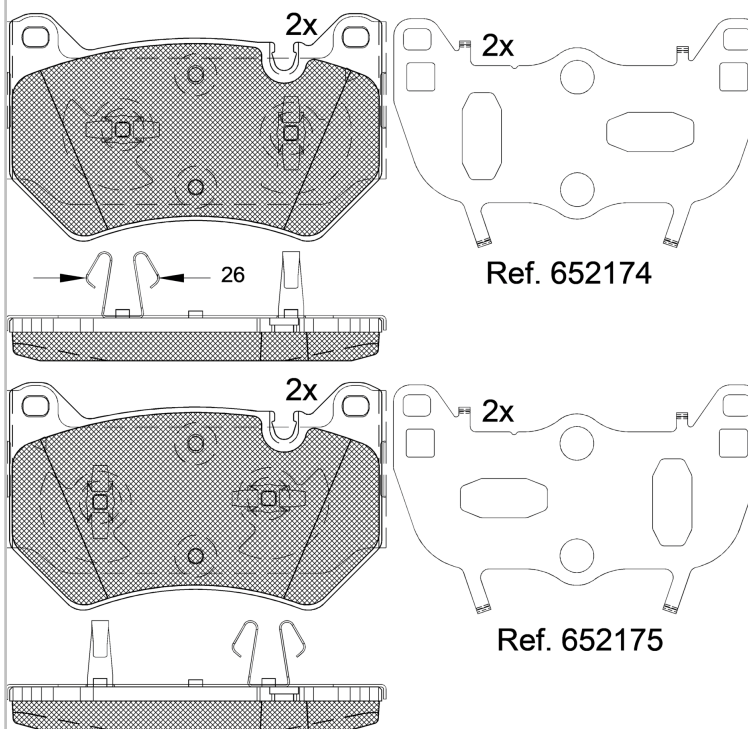
182385



Qty: 300

Weight: 2.290

O.E.M.	MAKE
80A 698 151 B	AUDI
80A 698 151 F	AUDI



182385

E 9 90R-02A0111/5256



Brembo

135.6x81x16.5

WVA	FMSI
26167	D2282-9376
26168	
26196	
26197	
MAKE	
AUDI	
AUDI (FAW)	



Trac.	CC	Kw	CV
-------	----	----	----



Front / Rear

AUDI

Q5 II (FYB, FYG) 05.16-						SUV Van (Luxury Crossover SUV-J Segment)			
3.0 SQ5 TDI Mild Hybrid quattro	PR 1LG, PR 1LK	Diesel/el éc.	4WD	2967	255	347	02.19-11.20	■	
3.0 TDI quattro	PR 1LG, PR 1LK	Diesel	4WD	2967	210	286	07.17-11.20	■	
Q5 II (FYB, FYG) 05.16-						SUV (Luxury Crossover SUV-J Segment)			
2.0 TFSI quattro		Gasolina	4WD	1984	180	245	08.18-	■	
2.0 TFSI quattro (DAXC)	PR 1LG, PR 1LK, discØ 338	Gasolina	4WD	1984	183	249	01.17-11.20	■	
2.0 TFSI quattro (DAXB)	PR 1LG, PR 1LK, discØ 338	Gasolina	4WD	1984	185	252	06.16-11.20	■	
2.0 TFSI quattro (DAYB)	PR 1LG, PR 1LK, discØ 338	Gasolina	4WD	1984	185	252	06.16-11.20	■	
SQ5 TFSI quattro (CWGD)	PR 1LG, PR 1LK	Gasolina	4WD	2995	260	354	11.16-	■	
40 TFSI Mild Hybrid quattro		Gasol./el éc.	4WD	1984	150	204	10.21-	■	
45 TFSI Mild hybrid quattro (DGKB)	discØ 338, PR 1LG, PR 1LK	Gasol./el éc.	4WD	1984	180	245	12.18-	■	
45 TFSI Mild hybrid quattro (DNNTA)	discØ 338, PR 1LG, PR 1LK	Gasol./el éc.	4WD	1984	180	245	12.18-	■	
50 TFSI e quattro (DLGA)	discØ 338, PR 1LG, PR 1LK	Gasol./el éc.	4WD	1984	185	252	04.19-11.20	■	
55 TFSI e quattro (DLGA)	discØ 338, PR 1LG, PR 1LK	Gasol./el éc.	4WD	1984	185	252	08.19-11.20	■	
45 TFSI Mild hybrid quattro (DPUA)	discØ 338, PR 1LG, PR 1LK	Gasol./el éc.	4WD	1984	195	265	08.20-	■	
45 TFSI Mild hybrid quattro (DPVA)	discØ 338, PR 1LG, PR 1LK	Gasol./el éc.	4WD	1984	195	265	08.20-	■	
55 TFSI e quattro		Gasol./el éc.	4WD	1984	195	265	02.21-	■	
50 TFSI e quattro (DLGA)	discØ 338, PR 1LG, PR 1LK	Gasol./el éc.	4WD	1984	220	299	04.19-	■	

LISTA DE APLICACIONES - BUYERS GUIDE

50 TFSI e quattro	discØ 338, PR 1LG, PR 1LK	Gasol./el éc.	4WD	1984	220	299	02.21-	■	
55 TFSI e quattro (DLGA)	PR 1LG, PR 1LK	Gasol./el éc.	4WD	1984	270	367	08.19-	■	
55 TFSI e quattro		Gasol./el éc.	4WD	1984	270	367	02.21-	■	
30 TDI Mild Hybrid (DEZB)	PR 1LG, PR 1LK	Diesel/el éc.	FWD	1968	100	136	09.19-	■	
35 TDI Mild Hybrid (DEZE)	discØ 338, PR 1LG, PR 1LK	Diesel/el éc.	FWD	1968	120	163	09.19-	■	
40 TDI Mild Hybrid quattro (DFBA)	discØ 338, PR 1LG, PR 1LK	Diesel/el éc.	4WD	1968	150	204	09.19-	■	
50 TDI Mild Hybrid quattro (DMGA)	PR 1LG, PR 1LK	Diesel/el éc.	4WD	2967	210	286	06.20-	■	
SQ5 TDI Mild Hybrid quattro	PR 1LG, PR 1LK	Diesel/el éc.	4WD	2967	251	341	01.21-	■	
SQ5 TDI Mild Hybrid quattro (DEWB)	PR 1LG, PR 1LK	Diesel/el éc.	4WD	2967	255	347	02.19-09.20	■	
2.0 TDI (DEUB)	PR 1LG, PR 1LK, discØ 338	Diesel	FWD	1968	100	136	01.17-11.20	■	
2.0 TDI (DEUA)	PR 1LG, discØ 338	Diesel	FWD	1968	110	150	01.17-11.20	■	
2.0 TDI quattro (DETB)	PR 1LG, PR 1LK, discØ 338	Diesel	4WD	1968	120	163	06.16-08.18	■	
35 TDI quattro (DETB)	discØ 338, PR 1LG, PR 1LK	Diesel	4WD	1968	120	163	08.18-11.20	■	
2.0 TDI quattro (DESA)	PR 1LG, PR 1LK, discØ 338	Diesel	4WD	1968	140	190	06.16-08.18	■	
2.0 TDI quattro (DETA)	PR 1LG, PR 1LK, discØ 338	Diesel	4WD	1968	140	190	06.16-08.18	■	
40 TDI quattro (DESA)	discØ 338, PR 1LG, PR 1LK	Diesel	4WD	1968	140	190	10.18-	■	
40 TDI quattro (DETA)	discØ 338, PR 1LG, PR 1LK	Diesel	4WD	1968	140	190	10.18-	■	
45 TDI quattro (DCPE)	discØ 338, PR 1LG, PR 1LK	Diesel	4WD	2967	170	231	08.18-11.20	■	
3.0 TDI quattro (DCPC)	PR 1LG, PR 1LK	Diesel	4WD	2967	210	286	07.17-11.20	■	
50 TDI quattro (DCPC)	PR 1LG, PR 1LK	Diesel	4WD	2967	210	286	03.19-11.20	■	
Q5 II Sportback (FYT) 11.20-					SUV (Luxury Crossover SUV-J Segment)				
40 TFSI Mild Hybrid quattro		Gasol./el éc.	4WD	1984	150	204	10.21-	■	
45 TFSI Mild hybrid quattro	discØ 338, PR 1LG, PR 1LK	Gasol./el éc.	4WD	1984	195	265	11.20-	■	
50 TFSI e quattro	PR 1LG, PR 1LK, discØ 338	Gasol./el éc.	4WD	1984	220	299	02.21-	■	
2.0 55 TFSI e quattro		Gasol./el éc.	4WD	1984	270	367	07.21-	■	
55 TFSI e quattro	PR 1LG, PR 1LK, discØ 338	Gasol./el éc.	4WD	1984	270	367	06.21-	■	
35 TDI Mild Hybrid		Diesel/el éc.	FWD	1968	120	163	04.21-	■	
40 TDI Mild Hybrid quattro	discØ 338, PR 1LG, PR 1LK	Diesel/el éc.	4WD	1968	150	204	11.20-	■	
50 TDI Mild Hybrid quattro	PR 1LG, PR 1LK	Diesel/el éc.	4WD	2967	210	286	02.21-	■	
AUDI (FAW)									
Q5L II Sportback (87F) 11.20-					SUV (Luxury Crossover SUV-J Segment)				
40 TFSI quattro (DTAA)	PR 1LG, PR 1LK	Gasolina	4WD	1984	140	190	11.20-	■	
45 TFSI quattro (DKWA)	PR 1LG, PR 1LK	Gasolina	4WD	1984	185	252	11.20-	■	