


LISTA DE APLICACIONES - BUYERS GUIDE

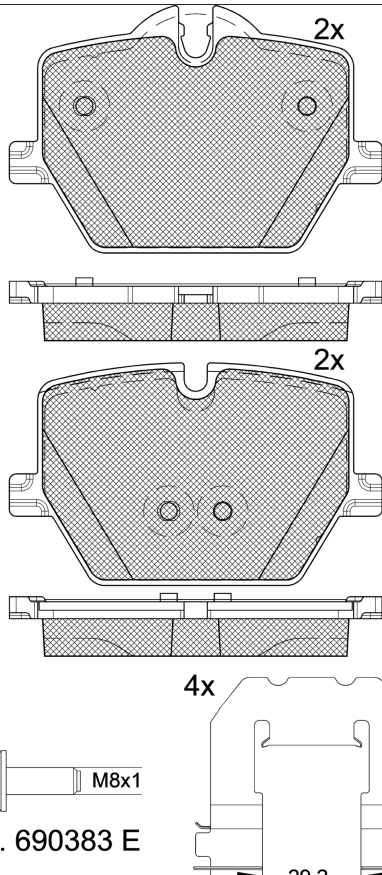
182386



8 424073 202369

Qty: 300 Weight: 1.610

O.E.M.	MAKE
04466-WAA03	TOYOTA
34 20 6 888 835	BMW



2x
2x
4x
4x


M8x1

1-Ref. 690383 E

29.2

1-Ref. 690576 E

182386

 **E 9 90R-02A0111/5468**



Trw

110.6x66x16.8
110.6x73.3x16.8

VVA	FMSI
21474	D2220-9460
21475	

MAKE
ALPINA
BMW
BMW (BRILLIANCE)
TOYOTA



Trac.	CC	Kw	CV		 Front / Rear
-------	----	----	----	---	--

ALPINA									
B3 VII (G20) 09.19-						Saloon (Compact executive car-D Segment)			
BITURBO A las 4 ruedas		Gasolina	4WD	2993	340	462	09.19-12.25	■	
B3 VII Touring (G21) 09.19-						Estate (Compact executive car-D Segment)			
BITURBO A las 4 ruedas		Gasolina	4WD	2993	340	462	09.19-12.25	■	
D3 III (G20) 05.20-						Saloon (Compact executive car-D Segment)			
S (B57 D30 B)		Diesel/el éc.	4WD	2993	261	355	05.20-12.25	■	
D3 III Touring (G21) 05.20-						Estate (Compact executive car-D Segment)			
S (B57 D30 B)		Diesel/el éc.	4WD	2993	261	355	05.20-12.25	■	
BMW									
2 Serie II (G42, G87) 08.21-						Coupe (Compact car-C Segment)			
218i		Gasolina	RWD	1998	115	156	07.22-	■	
220 i		discØ 345, M-sport package	Gasolina	RWD	1998	135	184	08.21-	■
230 i		discØ 345, M-sport package	Gasolina	RWD	1998	180	245	04.22-	■
M240 i			Gasolina	RWD	2998	275	374	07.22-	■
M240 i xDrive		not M technique	Gasolina	4WD	2998	275	374	08.21-	■
220 d Mild-Hybrid		discØ 345, M-sport package	Diesel/el éc.	1995	140	190	08.21-	■	
3 Serie VII (G20, G80, G28) 11.18-						Saloon (Compact executive car-D Segment)			
320 i 1.6 (B48 B16 A)		discØ 345, M-sport package, Performance M, M technique	Gasolina	RWD	1597	125	170	03.19-	■

LISTA DE APLICACIONES - BUYERS GUIDE

318i (B48 B20 A)	sports package, discØ 345, M-sport package, Performance M, Performance brakes, M technique	Gasolina	RWD	1998	115	156	03.20-	■
320i (B48 B20 A)	M-sport package, discØ 345, M technique	Gasolina	RWD	1998	135	184	03.19-	■
320i (B48 B20 B)	M-sport package, discØ 345, M technique	Gasolina	RWD	1998	135	184	03.19-	■
320 i xDrive (B48 B20 A)	sports chassis, discØ 345, M-sport package, Performance M, M technique	Gasolina	4WD	1998	135	184	07.19-	■
330i		Gasolina	RWD	1998	180	245	07.22-	■
330 i xDrive		Gasolina	4WD	1998	180	245	07.22-	■
330i (B46 B20 B)	M-sport package, discØ 345, Performance M, Performance brakes, M technique	Gasolina	RWD	1998	190	258	11.18-	■
330i (B48 B20 B)	M-sport package, discØ 345, Performance M, Performance brakes, M technique	Gasolina	RWD	1998	190	258	11.18-	■
330 i xDrive (B46 B20 B)	sports chassis, discØ 345, M-sport package, Performance M, Performance brakes, M technique	Gasolina	4WD	1998	190	258	11.18-	■
330 i xDrive (B48 B20 B)	sports chassis, discØ 345, M-sport package, Performance M, Performance brakes, M technique	Gasolina	4WD	1998	190	258	11.18-	■
330 Li (B48 B20 B)	Performance brakes, M technique	Gasolina	RWD	1998	190	255	02.21-	■
M 340 i xDrive (B58 B30 B)	M-sport package, discØ 345, Performance brakes, M technique	Gasolina	4WD	2998	275	374	07.19-	■
M 340 i		Gasolina	RWD	2998	285	387	03.19-	■
M 340 i xDrive (B58 B30 B)	discØ 345, Performance brakes, M technique	Gasolina	4WD	2998	285	387	03.19-	■
320 e Plug-in-Hybrid (B48 B20 A)	discØ 345, M-sport package, Performance M, Performance brakes	Gasol./el éc.	RWD	1998	120	163	07.20-	■
320 e Plug-in-Hybrid (GC1)	discØ 345, M-sport package, Performance M, Performance brakes	Gasol./el éc.	RWD	1998	120	163	07.20-	■
330 e Plug-in-Hybrid (B46 B20 B)	sports chassis, discØ 345, M-sport package, Performance M, Performance brakes, M technique	Gasol./el éc.	RWD	1998	135	184	07.19-	■
330 e Plug-in-Hybrid (B48 B20 A)	sports chassis, discØ 345, M-sport package, Performance M, Performance brakes, M technique	Gasol./el éc.	RWD	1998	135	184	07.19-	■
330 e Plug-in-Hybrid (B48 B20 B)	sports chassis, discØ 345, M-sport package, Performance M, Performance brakes, M technique	Gasol./el éc.	RWD	1998	135	184	07.19-	■
330 e Plug-in-Hybrid (GC1)	sports chassis, discØ 345, M-sport package, Performance M, Performance brakes, M technique	Gasol./el éc.	RWD	1998	135	184	07.19-	■
330 e Plug-in-Hybrid xDrive (B46 B20 B)	discØ 345, M-sport package, Performance M, Performance brakes, M technique	Gasol./el éc.	4WD	1998	135	184	07.20-	■
330 e Plug-in-Hybrid xDrive (B48 B20 A)	discØ 345, M-sport package, Performance M, Performance brakes, M technique	Gasol./el éc.	4WD	1998	135	184	07.20-	■
330 e Plug-in-Hybrid xDrive (GC1)	discØ 345, M-sport package, Performance M, Performance brakes, M technique	Gasol./el éc.	4WD	1998	135	184	07.20-	■
320 e Plug-in-Hybrid (B48 B20 A)	discØ 345, M-sport package, Performance M, Performance brakes	Gasol./el éc.	RWD	1998	150	204	07.20-	■
320 e Plug-in-Hybrid (GC1)	discØ 345, M-sport package, Performance M, Performance brakes	Gasol./el éc.	RWD	1998	150	204	07.20-	■

LISTA DE APLICACIONES - BUYERS GUIDE

330 e Plug-in-Hybrid (B46 B20 B)	sports chassis, discØ 345, M-sport package, Performance M, Performance brakes, M technique	Gasol./el éc.	RWD	1998	185	252	07.19-02.20	■
330 e Plug-in-Hybrid (B48 B20 A)	sports chassis, discØ 345, M-sport package, Performance M, Performance brakes, M technique	Gasol./el éc.	RWD	1998	185	252	07.19-02.20	■
330 e Plug-in-Hybrid (B48 B20 B)	sports chassis, discØ 345, M-sport package, Performance M, Performance brakes, M technique	Gasol./el éc.	RWD	1998	185	252	07.19-02.20	■
330 e Plug-in-Hybrid (GC1)	sports chassis, discØ 345, M-sport package, Performance M, Performance brakes, M technique	Gasol./el éc.	RWD	1998	185	252	07.19-02.20	■
330 e Plug-in-Hybrid (B46 B20 B)	Performance brakes, M technique	Gasol./el éc.	RWD	1998	215	292	07.19-	■
330 e Plug-in-Hybrid (B48 B20 B)	Performance brakes, M technique	Gasol./el éc.	RWD	1998	215	292	07.19-	■
330 e Plug-in-Hybrid (GC1)	Performance brakes, M technique	Gasol./el éc.	RWD	1998	215	292	07.19-	■
330 e Plug-in-Hybrid xDrive (B46 B20 B)	discØ 345, M-sport package, Performance M, Performance brakes, M technique	Gasol./el éc.	4WD	1998	215	292	07.20-	■
330 e Plug-in-Hybrid xDrive (B48 B20 A)	discØ 345, M-sport package, Performance M, Performance brakes, M technique	Gasol./el éc.	4WD	1998	215	292	07.20-	■
330 e Plug-in-Hybrid xDrive (GC1)	discØ 345, M-sport package, Performance M, Performance brakes, M technique	Gasol./el éc.	4WD	1998	215	292	07.20-	■
M 340 i Mild-Hybrid xDrive (B58 B30 B)	discØ 345, Performance brakes, M technique	Gasol./el éc.	4WD	2998	275	374	11.20-	■
M 340 i Mild-Hybrid xDrive (JA1)	discØ 345, Performance brakes, M technique	Gasol./el éc.	4WD	2998	275	374	11.20-	■
316 d Mild-Hybrid (B47 D20 B)	discØ 345, Performance M, M-sport package, Performance brakes, M technique	Diesel/el éc.	RWD	1995	85	116	11.20-	■
316 d Mild-Hybrid (JA1)	discØ 345, Performance M, M-sport package, Performance brakes, M technique	Diesel/el éc.	RWD	1995	85	116	11.20-	■
316 d Mild-Hybrid (B47 D20 B)	discØ 345, M-sport package, Performance M, Performance brakes, M technique	Diesel/el éc.	RWD	1995	90	122	08.20-	■
316 d Mild-Hybrid (JA1)	discØ 345, M-sport package, Performance M, Performance brakes, M technique	Diesel/el éc.	RWD	1995	90	122	08.20-	■
318 d Mild-Hybrid (B47 D20 B)	discØ 345, M-sport package, Performance M, Performance brakes, M technique	Diesel/el éc.	RWD	1995	100	136	04.20-	■
318 d Mild-Hybrid (JA1)	discØ 345, M-sport package, Performance M, Performance brakes, M technique	Diesel/el éc.	RWD	1995	100	136	04.20-	■
318 d Mild-Hybrid (B47 D20 B)	discØ 345, M-sport package, Performance M, Performance brakes, M technique	Diesel/el éc.	RWD	1995	110	150	04.20-	■
318 d Mild-Hybrid (JA1)	discØ 345, M-sport package, Performance M, Performance brakes, M technique	Diesel/el éc.	RWD	1995	110	150	04.20-	■
320 d Mild-Hybrid (B47 D20 B)	discØ 345, M-sport package, Performance M, Performance brakes, M technique	Diesel/el éc.	RWD	1995	120	163	03.20-	■
320 d Mild-Hybrid (JA1)	discØ 345, M-sport package, Performance M, Performance brakes, M technique	Diesel/el éc.	RWD	1995	120	163	03.20-	■
320 d Mild-Hybrid xDrive (B47 D20 B)	discØ 345, M-sport package, Performance M, Performance brakes, M technique	Diesel/el éc.	4WD	1995	120	163	03.20-	■
320 d Mild-Hybrid xDrive (JA1)	discØ 345, M-sport package, Performance M, Performance brakes, M technique	Diesel/el éc.	4WD	1995	120	163	03.20-	■
320 d Mild-Hybrid (B47 D20 B)	discØ 345, M-sport package, Performance M, Performance brakes, M technique	Diesel/el éc.	RWD	1995	140	190	03.20-	■

LISTA DE APLICACIONES - BUYERS GUIDE

320 d Mild-Hybrid (JA1)	discØ 345, M-sport package, Performance M, Performance brakes, M technique	Diesel/el éc.	RWD	1995	140	190	03.20-	■	
320 d Mild-Hybrid xDrive (B47 D20 B)	discØ 345, M-sport package, Performance M, Performance brakes, M technique	Diesel/el éc.	4WD	1995	140	190	03.20-	■	
320 d Mild-Hybrid xDrive (JA1)	discØ 345, M-sport package, Performance M, Performance brakes, M technique	Diesel/el éc.	4WD	1995	140	190	03.20-	■	
330 d Mild-Hybrid (B57 D30 B)	discØ 345, Performance M, M-sport package, Performance brakes, M technique	Diesel/el éc.	RWD	2993	210	286	11.20-	■	
330 d Mild-Hybrid (JA1)	discØ 345, Performance M, M-sport package, Performance brakes, M technique	Diesel/el éc.	RWD	2993	210	286	11.20-	■	
330 d Mild-Hybrid xDrive (B57 D30 B)	discØ 345, Performance M, M-sport package, Performance brakes, M technique	Diesel/el éc.	4WD	2993	210	286	11.20-	■	
330 d Mild-Hybrid xDrive (JA1)	discØ 345, Performance M, M-sport package, Performance brakes, M technique	Diesel/el éc.	4WD	2993	210	286	11.20-	■	
M340 d Mild-Hybrid xDrive (B57 D30 B)	discØ 345	Diesel/el éc.	4WD	2993	250	340	04.20-	■	
M340 d Mild-Hybrid xDrive (JA1)	discØ 345	Diesel/el éc.	4WD	2993	250	340	04.20-	■	
316 d (B47 D20 B)	discØ 345, Performance M, M-sport package, Performance brakes, M technique	Diesel	RWD	1995	85	116	11.20-	■	
316 d (B47 D20 B)	discØ 345, M-sport package, Performance M, Performance brakes, M technique	Diesel	RWD	1995	90	122	03.20-	■	
318 d (B47 D20 B)	M-sport package, discØ 345, Performance M, Performance brakes, M technique	Diesel	RWD	1995	100	136	03.19-03.20	■	
318 d (B47 D20 B)	M-sport package, discØ 345, Performance brakes, M technique	Diesel	RWD	1995	110	150	03.19-03.20	■	
320 d (B47 D20 B)	Performance brakes, M technique	Diesel	RWD	1995	120	163	11.18-02.20	■	
320 d xDrive (B47 D20 B)	M technique	Diesel	4WD	1995	120	163	11.18-02.20	■	
320 d (B47 D20 B)	M-sport package, discØ 345, Performance brakes, M technique	Diesel	RWD	1995	140	190	11.18-	■	
320 d xDrive (B47 D20 B)	M-sport package, discØ 345, M technique	Diesel	4WD	1995	140	190	11.18-02.20	■	
330 d (B57 D30 A)	discØ 345, M-sport package, Performance M, Performance brakes, M technique	Diesel	RWD	2993	195	265	03.19-	■	
330 d xDrive (B57 D30 A)	sports chassis, discØ 345, M-sport package, Performance M, Performance brakes, M technique	Diesel	4WD	2993	195	265	07.19-	■	
3 Serie VII Touring (G21, G81) 07.19-							Estate (Compact executive car-D Segment)		
318i (B48 B20 A)	discØ 345, M-sport package, Performance M, Performance brakes, M technique	Gasolina	RWD	1998	115	156	03.20-	■	
320i (B46 B20 B)	discØ 345, M-sport package, Performance M, Performance brakes, M technique	Gasolina	RWD	1998	135	184	11.19-	■	
320i (B48 B20 A)	discØ 345, M-sport package, Performance M, Performance brakes, M technique	Gasolina	RWD	1998	135	184	11.19-	■	
330i		Gasolina	RWD	1998	180	245	07.19-	■	
330 i xDrive		Gasolina	4WD	1998	180	245	07.19-	■	
330i (B48 B20 B)	M-sport package, discØ 345, Performance M, Performance brakes, M technique	Gasolina	RWD	1998	190	258	07.19-	■	
330 i xDrive (B48 B20 B)	sports chassis, discØ 345, M-sport package, Performance M, Performance brakes, M technique	Gasolina	4WD	1998	190	258	07.19-	■	
M 340 i xDrive (B58 B30 B)	M-sport package, discØ 345	Gasolina	4WD	2998	275	374	11.19-	■	

LISTA DE APLICACIONES - BUYERS GUIDE

M 340 i xDrive (B58 B30 B)	discØ 345	Gasolina	4WD	2998	285	387	11.19-	■
320 e Plug-in-Hybrid (B48 B20 A)	discØ 345, M-sport package, Performance M, Performance brakes	Gasol./el éc.	RWD	1998	120	163	07.20-	■
320 e Plug-in-Hybrid (GC1)	discØ 345, M-sport package, Performance M, Performance brakes	Gasol./el éc.	RWD	1998	120	163	07.20-	■
320 e Plug-in-Hybrid xDrive	discØ 345, M-sport package, Performance M	Gasol./el éc.	4WD	1998	120	163	03.21-	■
330 e Plug-in-Hybrid (B48 B20 A)	sports chassis, discØ 345, M-sport package, Performance M, Performance brakes	Gasol./el éc.	RWD	1998	135	184	07.20-	■
330 e Plug-in-Hybrid (GC1)	sports chassis, discØ 345, M-sport package, Performance M, Performance brakes	Gasol./el éc.	RWD	1998	135	184	07.20-	■
330 e Plug-in-Hybrid xDrive (B48 B20 A)	discØ 345, M-sport package, Performance M, Performance brakes, M technique	Gasol./el éc.	4WD	1998	135	184	07.20-	■
330 e Plug-in-Hybrid xDrive (GC1)	discØ 345, M-sport package, Performance M, Performance brakes, M technique	Gasol./el éc.	4WD	1998	135	184	07.20-	■
320 e Plug-in-Hybrid (B48 B20 A)	discØ 345, M-sport package, Performance M, Performance brakes	Gasol./el éc.	RWD	1998	150	204	07.20-	■
320 e Plug-in-Hybrid (GC1)	discØ 345, M-sport package, Performance M, Performance brakes	Gasol./el éc.	RWD	1998	150	204	07.20-	■
320 e Plug-in-Hybrid xDrive	Performance M, discØ 345, M-sport package	Gasol./el éc.	4WD	1998	150	204	03.21-	■
330 e Plug-in-Hybrid (B48 B20 A)	sports chassis, discØ 345, M-sport package, Performance M, Performance brakes	Gasol./el éc.	RWD	1998	215	292	07.20-	■
330 e Plug-in-Hybrid (GC1)	sports chassis, discØ 345, M-sport package, Performance M, Performance brakes	Gasol./el éc.	RWD	1998	215	292	07.20-	■
330 e Plug-in-Hybrid xDrive (B48 B20 A)	discØ 345, M-sport package, Performance M, Performance brakes, M technique	Gasol./el éc.	4WD	1998	215	292	07.20-	■
330 e Plug-in-Hybrid xDrive (GC1)	discØ 345, M-sport package, Performance M, Performance brakes, M technique	Gasol./el éc.	4WD	1998	215	292	07.20-	■
M 340 i Mild-Hybrid xDrive (B58 B30 B)	discØ 345	Gasol./el éc.	4WD	2998	275	374	11.20-	■
M 340 i Mild-Hybrid xDrive (JA1)	discØ 345	Gasol./el éc.	4WD	2998	275	374	11.20-	■
316 d Mild-Hybrid (B47 D20 B)	discØ 345, Performance M, M-sport package, discØ 300, Syst. Standard, Performance brakes, M technique	Diesel/el éc.	RWD	1995	85	116	11.20-	■
316 d Mild-Hybrid (JA1)	discØ 345, Performance M, M-sport package, discØ 300, Syst. Standard, Performance brakes, M technique	Diesel/el éc.	RWD	1995	85	116	11.20-	■
316 d Mild-Hybrid (B47 D20 B)	discØ 300, Syst. Standard, discØ 345, M-sport package, Performance M, Performance brakes, M technique	Diesel/el éc.	RWD	1995	90	122	07.20-	■
316 d Mild-Hybrid (JA1)	discØ 300, Syst. Standard, discØ 345, M-sport package, Performance M, Performance brakes, M technique	Diesel/el éc.	RWD	1995	90	122	07.20-	■
318 d Mild-Hybrid (B47 D20 B)	discØ 345, M-sport package, Performance M, Performance brakes, M technique	Diesel/el éc.	RWD	1995	100	136	08.20-	■
318 d Mild-Hybrid (JA1)	discØ 345, M-sport package, Performance M, Performance brakes, M technique	Diesel/el éc.	RWD	1995	100	136	08.20-	■
318 d Mild-Hybrid (B47 D20 B)	discØ 345, M-sport package, Performance M, Performance brakes, M technique	Diesel/el éc.	RWD	1995	110	150	08.20-	■
318 d Mild-Hybrid (JA1)	discØ 345, M-sport package, Performance M, Performance brakes, M technique	Diesel/el éc.	RWD	1995	110	150	08.20-	■

LISTA DE APLICACIONES - BUYERS GUIDE

320 d Mild-Hybrid (B47 D20 B)	discØ 345, M-sport package, Performance M, Performance brakes, M technique	Diesel/el éc.	RWD	1995	120	163	03.20-	■
320 d Mild-Hybrid (JA1)	discØ 345, M-sport package, Performance M, Performance brakes, M technique	Diesel/el éc.	RWD	1995	120	163	03.20-	■
320 d Mild-Hybrid xDrive (B47 D20 B)	discØ 345, M-sport package, Performance M, Performance brakes, M technique	Diesel/el éc.	4WD	1995	120	163	03.20-	■
320 d Mild-Hybrid xDrive (JA1)	discØ 345, M-sport package, Performance M, Performance brakes, M technique	Diesel/el éc.	4WD	1995	120	163	03.20-	■
320 d Mild-Hybrid (B47 D20 B)	discØ 345, M-sport package, Performance M, Performance brakes, M technique	Diesel/el éc.	RWD	1995	140	190	03.20-	■
320 d Mild-Hybrid (JA1)	discØ 345, M-sport package, Performance M, Performance brakes, M technique	Diesel/el éc.	RWD	1995	140	190	03.20-	■
320 d Mild-Hybrid xDrive (B47 D20 B)	discØ 345, M-sport package, Performance M, Performance brakes, M technique	Diesel/el éc.	4WD	1995	140	190	03.20-	■
320 d Mild-Hybrid xDrive (JA1)	discØ 345, M-sport package, Performance M, Performance brakes, M technique	Diesel/el éc.	4WD	1995	140	190	03.20-	■
330 d Mild-Hybrid (B57 D30 B)	discØ 345, Performance M, M-sport package, M technique	Diesel/el éc.	RWD	2993	210	286	11.20-	■
330 d Mild-Hybrid (JA1)	discØ 345, Performance M, M-sport package, M technique	Diesel/el éc.	RWD	2993	210	286	11.20-	■
330 d Mild-Hybrid xDrive (B57 D30 B)	discØ 345, Performance M, M-sport package, Performance brakes, M technique	Diesel/el éc.	4WD	2993	210	286	11.20-	■
330 d Mild-Hybrid xDrive (JA1)	discØ 345, Performance M, M-sport package, Performance brakes, M technique	Diesel/el éc.	4WD	2993	210	286	11.20-	■
M340 d Mild-Hybrid xDrive (B57 D30 B)	discØ 345	Diesel/el éc.	4WD	2993	250	340	04.20-	■
M340 d Mild-Hybrid xDrive (JA1)	discØ 345	Diesel/el éc.	4WD	2993	250	340	04.20-	■
316 d (B47 D20 B)	discØ 345, Performance M, M-sport package, discØ 300, Syst. Standard, Performance brakes, M technique	Diesel	RWD	1995	85	116	11.20-	■
316 d (B47 D20 B)	discØ 345, Performance M, M-sport package, discØ 300, Syst. Standard, Performance brakes, M technique	Diesel	RWD	1995	90	122	11.20-	■
318 d (B47 D20 B)	M-sport package, discØ 345, Performance M, Performance brakes, M technique	Diesel	RWD	1995	100	136	11.19-07.20	■
318 d (B47 D20 B)	M-sport package, discØ 345, Performance M, Performance brakes, M technique	Diesel	RWD	1995	110	150	11.19-07.20	■
320 d (B47 D20 B)	M-sport package, discØ 345, Performance M, Performance brakes, M technique	Diesel	RWD	1995	120	163	07.19-02.20	■
320 d xDrive (B47 D20 B)	discØ 345, M-sport package, Performance M, Performance brakes, M technique	Diesel	4WD	1995	120	163	07.19-02.20	■
320 d (B47 D20 B)	M-sport package, discØ 345, Performance M, Performance brakes, M technique	Diesel	RWD	1995	140	190	07.19-02.20	■
320 d xDrive (B47 D20 B)	discØ 345, M-sport package, Performance M, Performance brakes, M technique	Diesel	4WD	1995	140	190	07.19-02.20	■
330 d (B57 D30 A)	discØ 345, M-sport package, Performance M, Performance brakes, M technique	Diesel	RWD	2993	195	265	11.19-	■
330 d xDrive (B57 D30 A)	sports chassis, discØ 345, M-sport package, Performance M, Performance brakes, M technique	Diesel	4WD	2993	195	265	07.19-	■

LISTA DE APLICACIONES - BUYERS GUIDE

3 Serie VII Touring Van (G21) 07.19-						Estate Van (Compact executive car-D Segment)			
320i (B46 B20 B)	discØ 345, M-sport package, Performance M, Performance brakes, M technique	Gasolina	RWD	1998	135	184	11.19-	■	
320i (B48 B20 A)	discØ 345, M-sport package, Performance M, Performance brakes, M technique	Gasolina	RWD	1998	135	184	11.19-	■	
330i (B48 B20 B)	M-sport package, discØ 345, Performance M, Performance brakes, M technique	Gasolina	RWD	1998	190	258	07.19-	■	
M 340 i xDrive (B58 B30 B)	M-sport package, discØ 345	Gasolina	4WD	2998	275	374	11.19-	■	
320 d Mild-Hybrid (B47 D20 B)	discØ 345, M-sport package, Performance M, Performance brakes, M technique	Diesel/el éc.	RWD	1995	140	190	03.20-	■	
320 d Mild-Hybrid (JA1)	discØ 345, M-sport package, Performance M, Performance brakes, M technique	Diesel/el éc.	RWD	1995	140	190	03.20-	■	
320 d Mild-Hybrid xDrive (B47 D20 B)	discØ 345, M-sport package, Performance M, Performance brakes, M technique	Diesel/el éc.	4WD	1995	140	190	03.20-	■	
320 d Mild-Hybrid xDrive (JA1)	discØ 345, M-sport package, Performance M, Performance brakes, M technique	Diesel/el éc.	4WD	1995	140	190	03.20-	■	
318 d		Diesel	RWD	1995	110	150	11.19-06.22	■	
320 d (B47 D20 B)	M-sport package, discØ 345, Performance M, Performance brakes, M technique	Diesel	RWD	1995	140	190	07.19-02.20	■	
320 d xDrive (B47 D20 B)	discØ 345, M-sport package, Performance M, Performance brakes, M technique	Diesel	4WD	1995	140	190	07.19-02.20	■	
330 d (B57 D30 A)	discØ 345, M-sport package, Performance M, Performance brakes, M technique	Diesel	RWD	2993	195	265	11.19-	■	
330 d xDrive (B57 D30 A)	sports chassis, discØ 345, M-sport package, Performance M, Performance brakes, M technique	Diesel	4WD	2993	195	265	11.19-	■	
4 Serie II (G23, G83) 11.20-						Convertible (Compact executive car-D Segment)			
420 i (B48 B20 A)	discØ 345, Performance M, M-sport package, Performance brakes, M technique	Gasolina	RWD	1998	135	184	11.20-	■	
430 i	discØ 345, Performance M, M-sport package	Gasolina	RWD	1998	180	245	07.21-	■	
430 i xDrive	discØ 345, Performance M, M-sport package	Gasolina	4WD	1998	180	245	07.21-	■	
430 i (B46 B20 B)	discØ 345, Performance M, M-sport package, Performance brakes, M technique	Gasolina	RWD	1998	190	258	11.20-	■	
430 i (B48 B20 B)	discØ 345, Performance M, M-sport package, Performance brakes, M technique	Gasolina	RWD	1998	190	258	11.20-	■	
M440 i Mild-Hybrid		Gasol./el éc.	RWD	2998	275	374	07.21-	■	
M440 i Mild-Hybrid xDrive (B58 B30 B)	discØ 345	Gasol./el éc.	4WD	2998	275	374	11.20-	■	
M440 i Mild-Hybrid xDrive (JA1)	discØ 345	Gasol./el éc.	4WD	2998	275	374	11.20-	■	
M 440 i Mild Hybrid (B58 B30 B,JA1)	Performance brakes, not M sport pak.	Gasol./el éc.	RWD	2998	285	387	11.20-	■	
M440 i Mild-Hybrid xDrive (B58 B30 B)	discØ 345	Gasol./el éc.	4WD	2998	285	387	11.20-	■	
M440 i Mild-Hybrid xDrive (JA1)	discØ 345	Gasol./el éc.	4WD	2998	285	387	11.20-	■	
420 d Mild-Hybrid (B47 D20 B)	M technique, discØ 345, M-sport package, Performance M, Performance brakes	Diesel/el éc.	RWD	1995	120	163	11.20-	■	
420 d Mild-Hybrid (JA1)	M technique, discØ 345, M-sport package, Performance M, Performance brakes	Diesel/el éc.	RWD	1995	120	163	11.20-	■	

LISTA DE APLICACIONES - BUYERS GUIDE

420 d Mild-Hybrid (B47 D20 B)	discØ 345, Performance M, M-sport package, Performance brakes, M technique	Diesel/el éc.	RWD	1995	140	190	11.20-	■	
420 d Mild-Hybrid (JA1)	discØ 345, Performance M, M-sport package, Performance brakes, M technique	Diesel/el éc.	RWD	1995	140	190	11.20-	■	
430 d Mild-Hybrid (B57 D30 B)	M technique, Performance brakes, discØ 345, Performance M, M-sport package, Syst. standard	Diesel/el éc.	RWD	2993	210	286	07.21-	■	
430 d Mild-Hybrid (JA1)	M technique, Performance brakes, discØ 345, Performance M, M-sport package, Syst. standard	Diesel/el éc.	RWD	2993	210	286	07.21-	■	
M440 d Mild-Hybrid xDrive (B57 D30 B)	not M sport pak., Performance brakes, discØ 345	Diesel/el éc.	4WD	2993	250	340	11.21-	■	
M440 d Mild-Hybrid xDrive (JA1)	not M sport pak., Performance brakes, discØ 345	Diesel/el éc.	4WD	2993	250	340	11.21-	■	
4 Serie II (G22, G82) 07.20-					Coupe (Compact executive car-D Segment)				
420 i 1.6 (B48 B16 A)	discØ 345, Performance M, M-sport package, Performance brakes, M technique	Gasolina	RWD	1597	125	170	11.20-	■	
420 i (B46 B20 B)	Performance M, M-sport package, discØ 345, Performance brakes, M technique	Gasolina	RWD	1998	135	184	07.20-	■	
420 i (B48 B20 A)	Performance M, M-sport package, discØ 345, Performance brakes, M technique	Gasolina	RWD	1998	135	184	07.20-	■	
420 i	Performance M, M-sport package, discØ 345, Performance brakes, M technique	Gasolina	RWD	1998	135	184	07.21-	■	
420 i xDrive	discØ 345, Performance M, M-sport package, Performance brakes, M technique	Gasolina	4WD	1998	135	184	07.21-	■	
430 i	discØ 345, Performance M, M-sport package	Gasolina	RWD	1998	180	245	07.21-	■	
430 i	discØ 345, Performance M, M-sport package, Performance brakes, M technique	Gasolina	RWD	1998	180	245	07.21-	■	
430 i xDrive	discØ 345, Performance M, M-sport package	Gasolina	4WD	1998	180	245	07.21-	■	
430 i (B46 B20 B)	Performance M, M-sport package, discØ 345, Performance brakes, M technique	Gasolina	RWD	1998	190	258	07.20-	■	
430 i (B48 B20 B)	Performance M, M-sport package, discØ 345, Performance brakes, M technique	Gasolina	RWD	1998	190	258	07.20-	■	
430 i xDrive (B46 B20 B)	Performance brakes, M technique Performance M, M-sport package, discØ 345	Gasolina	4WD	1998	190	258	07.20-	■	
430 i		Gasol./el éc.	RWD	1998	190	258	07.24-	■	
430 i Mild-Hybrid xDrive		Gasol./el éc.	4WD	1998	190	258	07.24-	■	
M440 i Mild-Hybrid	discØ 345, Performance M	Gasol./el éc.	RWD	2998	275	374	07.21-	■	
M440 i Mild-Hybrid		Gasol./el éc.	RWD	2998	275	374	09.22-	■	
M440 i Mild-Hybrid xDrive (B58 B30 B)	discØ 345	Gasol./el éc.	4WD	2998	275	374	11.20-	■	
M440 i Mild-Hybrid xDrive	discØ 345	Gasol./el éc.	4WD	2998	275	374	07.21-	■	
M440 i Mild-Hybrid xDrive (B58 B30 B)	discØ 345	Gasol./el éc.	4WD	2998	285	387	07.20-	■	
M440 i Mild-Hybrid xDrive (JA1)	discØ 345	Gasol./el éc.	4WD	2998	285	387	07.20-	■	
i4 eDrive35		Eléctrico	RWD		210	286	11.22-	■	
i4 eDrive40	discØ 345, M-sport package	Eléctrico	RWD		250	340	11.21-	■	

LISTA DE APLICACIONES - BUYERS GUIDE

i4 xDrive40		Eléctrico	4WD		295	401	07.24-	■	
i4 M50 xDrive	discØ 345	Eléctrico	4WD		400	544	11.21-	■	
420 d Mild-Hybrid (B47 D20 B)	Performance M, M-sport package, discØ 345, Performance brakes, M technique	Diesel/el éc.	RWD	1995	120	163	07.20-	■	
420 d Mild-Hybrid (JA1)	Performance M, M-sport package, discØ 345, Performance brakes, M technique	Diesel/el éc.	RWD	1995	120	163	07.20-	■	
420 d Mild-Hybrid xDrive (B47 D20 B)	Performance M, M-sport package, discØ 345, Performance brakes, M technique	Diesel/el éc.	4WD	1995	120	163	07.20-	■	
420 d Mild-Hybrid xDrive (JA1)	Performance M, M-sport package, discØ 345, Performance brakes, M technique	Diesel/el éc.	4WD	1995	120	163	07.20-	■	
420 d Mild-Hybrid (B47 D20 B)	Performance M, M-sport package, discØ 345, Performance brakes, M technique	Diesel/el éc.	RWD	1995	140	190	07.20-	■	
420 d Mild-Hybrid (JA1)	Performance M, M-sport package, discØ 345, Performance brakes, M technique	Diesel/el éc.	RWD	1995	140	190	07.20-	■	
420 d Mild-Hybrid	discØ 345, Performance M, M-sport package, Performance brakes, M technique	Diesel/el éc.	RWD	1995	140	190	07.21-	■	
420 d Mild-Hybrid xDrive (B47 D20 B)	Performance M, M-sport package, discØ 345, Performance brakes, M technique	Diesel/el éc.	4WD	1995	140	190	07.20-	■	
420 d Mild-Hybrid xDrive (JA1)	Performance M, M-sport package, discØ 345, Performance brakes, M technique	Diesel/el éc.	4WD	1995	140	190	07.20-	■	
420 d Mild-Hybrid xDrive	discØ 345, Performance M, M-sport package, Performance brakes, M technique	Diesel/el éc.	4WD	1995	140	190	07.21-	■	
430 d Mild-Hybrid xDrive (B57 D30 B)	discØ 345	Diesel/el éc.	4WD	2993	210	286	03.21-	■	
430 d Mild-Hybrid xDrive (JA1)	discØ 345	Diesel/el éc.	4WD	2993	210	286	03.21-	■	
430 d Mild-Hybrid xDrive		Diesel/el éc.	4WD	2993	210	286	05.22-	■	
M440 d Mild-Hybrid xDrive (B57 D30 B)	discØ 345	Diesel/el éc.	4WD	2993	250	340	03.21-	■	
M440 d Mild-Hybrid xDrive (JA1)	discØ 345	Diesel/el éc.	4WD	2993	250	340	03.21-	■	
Z4 III (G29) 11.18-					Convertible (Sports car-S Segment)				
sDrive20i (B46 B20 B)	M-sport package, M technique	Gasolina	RWD	1998	120	163	11.18-	■	
sDrive20i (B48 B20 B)	M-sport package, M technique	Gasolina	RWD	1998	120	163	11.18-	■	
sDrive20i (B46 B20 B)	M-sport package, M technique	Gasolina	RWD	1998	145	197	11.18-	■	
sDrive20i (B48 B20 B)	M-sport package, M technique	Gasolina	RWD	1998	145	197	11.18-	■	
sDrive 30 i (B46 B20 B)	M-sport package, M technique	Gasolina	RWD	1998	190	258	11.18-	■	
sDrive 30 i (B48 B20 B)	M-sport package, M technique	Gasolina	RWD	1998	190	258	11.18-	■	
M40 i (B58 B30 C)	M-sport package	Gasolina	RWD	2998	250	340	11.18-	■	
M40 i		Gasolina	RWD	2998	285	387	03.19-	■	
BMW (BRILLIANCE)									
3 SERIES VII (G28, G20) 06.19-					Saloon (Compact executive car-D Segment)				
320i	Performance brakes, M technique	Gasolina	RWD	1998	115	156	11.19-	■	
330 Li	Performance brakes, M technique	Gasolina	RWD	1998	115	156	11.19-	■	
325i	Performance brakes, M technique	Gasolina	RWD	1998	135	184	06.19-	■	

LISTA DE APLICACIONES - BUYERS GUIDE

330i	Performance brakes, M technique	Gasolina	RWD	1998	190	258	11.19-	■
330 Li xDrive	Performance brakes, M technique	Gasolina	4WD	1998	190	258	11.19-	■
TOYOTA								
SUPRA V (DB_) 03.19-					Coupe (Grand Tourer-S Segment)			
2.0 (DB82, DB81, DB86) (B48L)	Red Caliper	Gasolina	RWD	1998	145	197	06.19-	■
2.0 (DB21, DB22, DB23, DB26) (B46H)	Syst. FOR RED CALIPERS, Red Caliper	Gasolina	RWD	1998	190	258	06.19-	■
2.0 (DB21, DB22, DB23, DB26) (B48H)	Syst. FOR RED CALIPERS, Red Caliper	Gasolina	RWD	1998	190	258	06.19-	■
3.0 GR (DB41, DB42, DB43, DB45, DB46) (B58)	Red Caliper, Syst. FOR RED CALIPERS	Gasolina	RWD	2998	250	340	03.19-	■
3.0 GR (DB41, DB42, DB43, DB45, DB46) (B58 B30 C)	Red Caliper, Syst. FOR RED CALIPERS	Gasolina	RWD	2998	250	340	03.19-	■
3.0 GR (DB01, DB02, DB03, DB06, DB92) (B58B30O1, B58H)		Gasolina	RWD	2998	285	387	07.20-	■