

LISTA DE APLICACIONES - BUYERS GUIDE

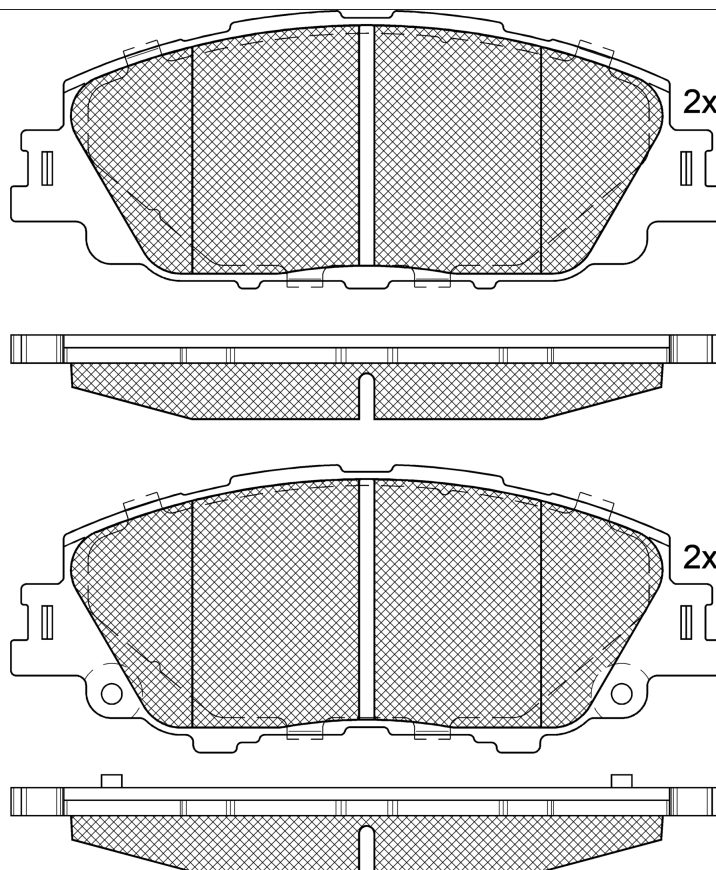
182387



8 424073 202383

Qty: 300

Weight: 1.510



Loose Shim

182387

E 9 90R-02A0111/5590



Advics

139.6x54.5x17.1

139.6x56.5x17.1

WVA

26217

26218

FMSI

D2176-9421

MAKE

TOYOTA

TOYOTA (GAC)



Trac.	CC	Kw	CV
-------	----	----	----



Front / Rear

TOYOTA

						Estate (Compact car-C Segment)		
COROLLA XII (_E21_) 02.19-								
2.0 Hybrid (MZEH12) (M20A-FXS)		Gasol./el éc.	FWD	1987	132	180	02.19-	■
COROLLA XII (_E21_ , _EA1_ , _EH1_) 10.18-						Hatchback (Compact car-C Segment)		
2.0 (MZEA12)		Gasolina	FWD	1987	125	170	10.18-	■
2.0 Hybrid (MZEH12) (M20A-FXS)		Gasol./el éc.	FWD	1987	132	180	02.19-	■
COROLLA XII (_E21_) 01.19-						Saloon (Compact car-C Segment)		
1.6 VVTi (ZRE210) (1ZR-FAE)		Gasolina	FWD	1598	97	132	01.19-	■
1.6 VVTi (ZRE210) (1ZR-FE)		Gasolina	FWD	1598	97	132	01.19-	■
1.8 VVTi (ZRE212, ZRE211)		Gasolina	FWD	1798	103	140	01.19-	■
2.0 VVTi (MZEA12) (M20A-FKS)		Gasolina	FWD	1987	125	170	01.19-	■
2.0 VVT-iE Flex (MZEA12) (M20A-FKB)		Gasol./Et anol	FWD	1987	130	177	09.19-09.23	■
1.8 VVTi Hybrid (ZWE211, MZEA12) (2ZR-FXE)		Gasol./el éc.	FWD	1798	90	122	02.19-	■
PRIUS IV PHV (_W52_) 01.16-						Hatchback (Executive car-E Segment)		
1.8 Plug-in Hybrid (ZVW52) (2ZR-FXE)		Gasol./el éc.	FWD	1798	90	122	01.16-12.22	■
YARIS CROSS (MXP_) 09.20-						SUV (Supermini car-B Segment)		
1.5 (MXPB10) (M15A-FKS)		Gasolina	FWD	1490	92	125	09.20-	■
1.5 Hybrid (MXPJ10) (M15A-FXE)		Gasol./el éc.	FWD	1490	68	92	09.20-	■

TOYOTA (GAC)

LISTA DE APLICACIONES - BUYERS GUIDE

LEVIN II (_E21_, _EA1_) 05.19-					Saloon (Compact car-C Segment)			
185T (NRE210)	Gasolina	FWD	1197	85	116	05.19-	■	
Hybrid (ZWE211)	Gasolina	FWD	1798	72	98	05.19-	■	
LINGSHANG (_EA1_, _EH1_) 06.21-					Saloon (Compact car-C Segment)			
2.0 (MZEA12)	Gasolina	FWD	1987	126	171	06.21-	■	