

# LISTA DE APLICACIONES - BUYERS GUIDE

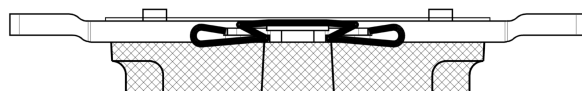
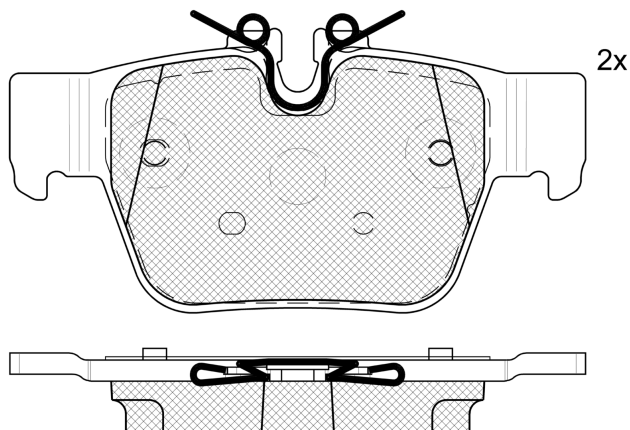
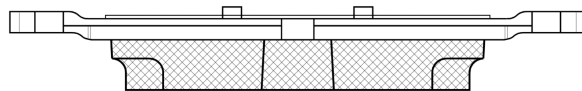
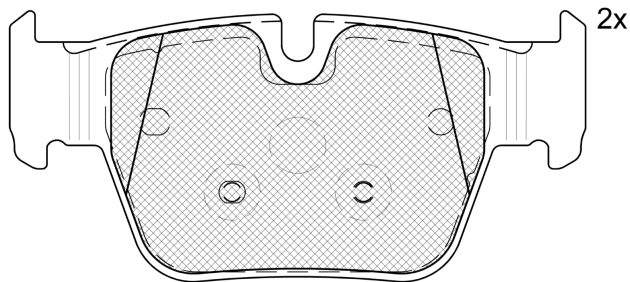
## 182393



Qty: 300

Weight: 1.160

O.E.M.	MAKE
34 20 6 885 600	MINI



## 182393

E 9 90R-02A0111/5475



Ate - Teves

122.9x57.8x15.9
122.9x60.7x15.9

WVA	FMSI
26212	D2240-9479
26213	

MAKE
BMW
MINI



Trac.	CC	Kw	CV
-------	----	----	----



Front / Rear

### BMW

1 Serie III (F40) 07.19-							Hatchback (Compact car-C Segment)			
116 i (B38 A15 A)	Performance M, discØ 330	Gasolina	FWD	1499	80	109	11.20-			■
118 i (B38 A15 A)	Performance M, discØ 330	Gasolina	FWD	1499	100	136	11.20-			■
118 i (B38 A15 A)	discØ 330, Performance M	Gasolina	FWD	1499	103	140	07.19-			■
120 i (B48 A20 A)	Performance M, discØ 330	Gasolina	FWD	1998	131	178	11.20-			■
120 i (B48 A20 F)	Performance M, discØ 330	Gasolina	FWD	1998	131	178	11.20-			■
128 ti (B48 A20 E)	Performance M, discØ 330	Gasolina	FWD	1998	195	265	11.20-			■
M 135 i xDrive (B48 A20 E)	discØ 330	Gasolina	4WD	1998	225	306	07.19-			■
116 d (B37 C15 A)	discØ 330, Performance M	Diesel	FWD	1496	85	116	07.19-			■
118 d (B47 C20 B)	discØ 330, Performance M	Diesel	FWD	1995	100	136	07.19-			■
118 d (B47 C20 B)	discØ 330, Performance M	Diesel	FWD	1995	110	150	07.19-			■
120 d (B47 C20 B)	Performance M, discØ 330	Diesel	FWD	1995	140	190	03.20-			■
120 d xDrive (B47 C20 B)	discØ 330, Performance M	Diesel	4WD	1995	140	190	07.19-			■
2 Gran Coupe (F44) 11.19-							Coupe (Compact car-C Segment)			
218i (B38 A15 A)	Performance M, discØ 330	Gasolina	FWD	1499	100	136	11.20-			■
218i (B38 A15 A)	Performance M, discØ 330, Performance brakes	Gasolina	FWD	1499	103	140	11.19-			■
220 i (B48 A20 A)	Performance M, discØ 330	Gasolina	FWD	1998	131	178	11.20-			■
220 i (B48 A20 F)	Performance M, discØ 330	Gasolina	FWD	1998	131	178	11.20-			■
220 i xDrive	Performance M, discØ 330	Gasolina	4WD	1998	131	178	03.21-			■
228 i xDrive (B46 A20 B)	Performance brakes	Gasolina	4WD	1998	170	231	11.19-			■
M 235 i xDrive (B48 A20 E)	discØ 330	Gasolina	4WD	1998	225	306	11.19-			■
216 d (B37 C15 A)	Performance M, discØ 330, Performance brakes	Diesel	FWD	1496	85	116	03.20-			■

## LISTA DE APLICACIONES - BUYERS GUIDE

218d (B47 C20 B)	Performance M, discØ 330, Performance brakes	Diesel	FWD	1995	100	136	07.20-10.24	■	
218d (B47 C20 B)	Performance M, discØ 330, Performance brakes	Diesel	FWD	1995	110	150	07.20-	■	
220 d (B47 C20 B)	Performance M, discØ 330, Performance brakes	Diesel	FWD	1995	120	163	11.19-	■	
220 d (B47 C20 B)	Performance M, discØ 330, Performance brakes	Diesel	FWD	1995	140	190	11.19-	■	
220 d xDrive (B47 C20 B)	Performance M, discØ 330, Performance brakes	Diesel	4WD	1995	140	190	07.20-10.24	■	
<b>X2 (F39) 11.17-</b>					<b>SUV (Compact SUV-J Segment)</b>				
M35 i (B48 A20 E)		Gasolina	4WD	1998	225	306	11.18-10.23	■	
<b>MINI</b>									
<b>MINI CLUBMAN II (F54) 11.14-</b>					<b>Estate (Supermini car-B Segment)</b>				
John Cooper Works (B48 A20 E)		Gasolina	4WD	1998	200	272	11.19-	■	
John Cooper Works (B48 A20 E)	discØ 330	Gasolina	4WD	1998	225	306	07.19-	■	
<b>MINI COUNTRYMAN II (F60) 10.16-</b>					<b>Estate (Supermini car-B Segment)</b>				
John Cooper Works ALL4 (B48 A20 E)	discØ 330	Gasolina	4WD	1998	225	306	07.19-	■	