

# LISTA DE APLICACIONES - BUYERS GUIDE

## 182397

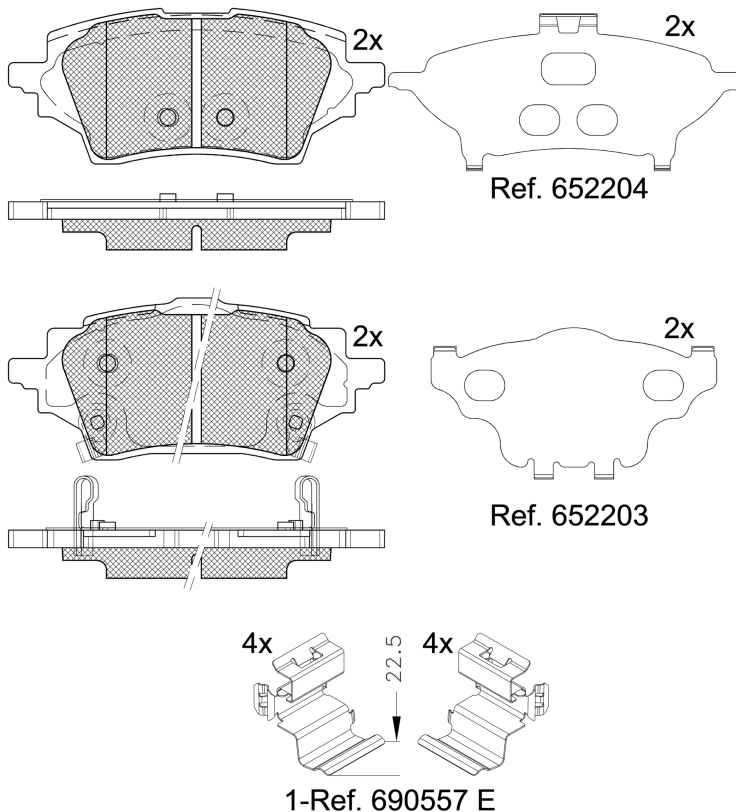


8 424073 203830

Qty: 300

Weight: 1.120

| O.E.M.      | MAKE   |
|-------------|--------|
| 04466-02400 | TOYOTA |
| 04466-02401 | TOYOTA |
| 04466-F4010 | TOYOTA |
| 04466-K0000 | TOYOTA |
| 04466-K0001 | TOYOTA |
| 1M00-26-28Z | MAZDA  |
| 1M01-26-28Z | MAZDA  |
| T0446-60240 | SUZUKI |



## 182397

**E 9** 90R-02A0111/5335



Trw

|                 |
|-----------------|
| 118.2x48.9x16.3 |
| 118.2x50.9x16.3 |

| WVA   | FMSI       |
|-------|------------|
| 26153 | D2202-9443 |
| 26154 |            |
| 26155 |            |

| MAKE         |
|--------------|
| MAZDA        |
| SUZUKI       |
| TOYOTA       |
| TOYOTA (FAW) |
| TOYOTA (GAC) |



| Trac. | CC | Kw | CV |
|-------|----|----|----|
|       |    |    |    |



Front / Rear

### MAZDA

| 2 IV / DEMIO (KB) 03.22- |  |               |     |      |    | Hatchback (Supermini car-B Segment) |        |   |
|--------------------------|--|---------------|-----|------|----|-------------------------------------|--------|---|
| 1.5 Hybrid (KBAC3X)      |  | Gasol./el éc. | FWD | 1490 | 68 | 92                                  | 03.22- | ■ |
| 1.5 Hybrid (KBAC3X)      |  | Gasol./el éc. | FWD | 1490 | 85 | 116                                 | 03.22- | ■ |

### SUZUKI

| SWACE (AMZ_) 10.20- |        |               |     |      |     | Estate (Compact car-C Segment) |        |   |
|---------------------|--------|---------------|-----|------|-----|--------------------------------|--------|---|
| 1.8 Hybrid          |        | Gasol./el éc. | FWD | 1798 | 72  | 98                             | 10.20- | ■ |
| 1.8 Hybrid          | Rim 16 | Gasol./el éc. | FWD | 1798 | 72  | 98                             | 10.20- | ■ |
| 1.8 Hybrid          |        | Gasol./el éc. | FWD | 1798 | 75  | 102                            | 10.20- | ■ |
| 1.8 Hybrid          | Rim 16 | Gasol./el éc. | FWD | 1798 | 75  | 102                            | 10.20- | ■ |
| 1.8 Hybrid          |        | Gasol./el éc. | FWD | 1798 | 90  | 122                            | 10.20- | ■ |
| 1.8 Hybrid          | Rim 16 | Gasol./el éc. | FWD | 1798 | 90  | 122                            | 10.20- | ■ |
| 1.8 Hybrid          |        | Gasol./el éc. | FWD | 1798 | 103 | 140                            | 03.23- | ■ |

### TOYOTA

| ( E21_ ) 06.22-                  |  |               |     |      |     | Estate Van ( ) |        |   |
|----------------------------------|--|---------------|-----|------|-----|----------------|--------|---|
| 1.8 VVTi Hybrid (ZWE211, MZEA12) |  | Gasol./el éc. | FWD | 1798 | 90  | 122            | 06.22- | ■ |
| 1.8 VVTi Hybrid (ZWE219)         |  | Gasol./el éc. | FWD | 1798 | 103 | 140            | 01.23- | ■ |

# LISTA DE APLICACIONES - BUYERS GUIDE

| <b>C-HR (_X1_) 10.16-</b>                                      |                      |               |     |      |     | <b>SUV (Compact SUV-J Segment)</b>           |        |   |  |
|--|----------------------|---------------|-----|------|-----|--|--------|---|--|
| 1.2 (NGX10_, NGX10R) (8NR-FTS)                                 |                      | Gasolina      | FWD | 1197 | 85  | 116  | 10.16- | ■ |  |
| 1.2 4WD (NGX50_, NGX50R) (8NR-FTS)                             | 05/18-               | Gasolina      | 4WD | 1197 | 85  | 116  | 10.16- | ■ |  |
| 1.2 4WD (NGX50) (8NR-FTS)                                      | 05/18-               | Gasolina      | 4WD | 1197 | 96  | 131  | 10.16- | ■ |  |
| 2.0 (ZGX10_) (3ZR-FAE)   |                      | Gasolina      | FWD | 1987 | 109 | 148  | 11.16- | ■ |  |
| 1.8 Hybrid (ZYX10_, ZYX11_, ZYX10R, ZYX11R) (2ZR-FXE)          |                      | Gasol./el éc. | FWD | 1798 | 90  | 122  | 10.16- | ■ |  |
| 2.0 Hybrid (MAXH10) (M20A-FXS)                                 |                      | Gasol./el éc. | FWD | 1987 | 82  | 112  | 10.19- | ■ |  |
| 2.0 Hybrid (MAXH10) (M20A-FXS)                                 |                      | Gasol./el éc. | FWD | 1987 | 135 | 184  | 10.19- | ■ |  |
| <b>C-HR VAN (_X1_) 10.16-</b>                                  |                      |               |     |      |     | <b>SUV Van (Compact SUV-J Segment)</b>       |        |   |  |
| 1.8 Hybrid (ZYX10, ZYX11)                                      |                      | Gasol./el éc. | FWD | 1798 | 90  | 122  | 10.16- | ■ |  |
| <b>COROLLA XII (_E21_) 02.19-</b>                              |                      |               |     |      |     | <b>Estate (Compact car-C Segment)</b>        |        |   |  |
| 1.2 (NRE210) (8NR-FTS)   | elec.brake detention | Gasolina      | FWD | 1197 | 85  | 116  | 02.19- | ■ |  |
| 1.8 Hybrid (ZWE211) (2ZR-FXE)                                  | elec.brake detention | Gasol./el éc. | FWD | 1798 | 72  | 98   | 02.19- | ■ |  |
| 1.8 Hybrid (ZWE211W)   |                      | Gasol./el éc. | FWD | 1798 | 90  | 122  | 02.19- | ■ |  |
| 1.8 VVTi Hybrid (ZWE219)                                       |                      | Gasol./el éc. | FWD | 1798 | 103 | 140  | 09.22- | ■ |  |
| 2.0 Hybrid (MZEH12) (M20A-FXS)                                 | elec.brake detention | Gasol./el éc. | FWD | 1987 | 132 | 180  | 02.19- | ■ |  |
| 2.0 Hybrid (MZEH12)  |                      | Gasol./el éc. | FWD | 1987 | 135 | 184  | 05.21- | ■ |  |
| 2.0 Hybrid (MZEH19)  |                      | Gasol./el éc. | FWD | 1987 | 144 | 196  | 01.23- | ■ |  |
| <b>COROLLA XII (_E21_, _EA1_, _EH1_) 10.18-</b>                |                      |               |     |      |     | <b>Hatchback (Compact car-C Segment)</b>     |        |   |  |
| 1.2 (NRE210) (8NR-FTS)   | elec.brake detention | Gasolina      | FWD | 1197 | 85  | 116  | 01.19- | ■ |  |
| 1.8 Hybrid (ZWE211) (2ZR-FXE)                                  | elec.brake detention | Gasol./el éc. | FWD | 1798 | 72  | 98   | 10.18- | ■ |  |
| 1.8 Hybrid (ZWE211, ZWE219)                                    |                      | Gasol./el éc. | FWD | 1798 | 90  | 122  | 10.18- | ■ |  |
| 1.8 VVTi Hybrid (ZWE219)                                       |                      | Gasol./el éc. | FWD | 1798 | 103 | 140  | 09.22- | ■ |  |
| 2.0 Hybrid (MZEH12) (M20A-FXS)                                 | elec.brake detention | Gasol./el éc. | FWD | 1987 | 132 | 180  | 02.19- | ■ |  |
| 2.0 Hybrid (MZEH12)  |                      | Gasol./el éc. | FWD | 1987 | 135 | 184  | 05.21- | ■ |  |
| 2.0 Hybrid (MZEH19)  |                      | Gasol./el éc. | FWD | 1987 | 144 | 196  | 01.23- | ■ |  |
| <b>COROLLA XII (_E21_) 01.19-</b>                              |                      |               |     |      |     | <b>Saloon (Compact car-C Segment)</b>        |        |   |  |
| 1.5 VVTi (MZEA11)  |                      | Gasolina      | FWD | 1490 | 92  | 125  | 01.21- | ■ |  |
| 1.6 VVTi (ZRE210) (1ZR-FAE)                                    | elec.brake detention | Gasolina      | FWD | 1598 | 90  | 122  | 01.19- | ■ |  |
| 1.6 VVTi (ZRE210) (1ZR-FE)                                     | elec.brake detention | Gasolina      | FWD | 1598 | 90  | 122  | 01.19- | ■ |  |
| 1.6 VVTi (ZRE210) (1ZR-FAE)                                    | elec.brake detention | Gasolina      | FWD | 1598 | 97  | 132  | 01.19- | ■ |  |
| 1.6 VVTi (ZRE210) (1ZR-FE)                                     | elec.brake detention | Gasolina      | FWD | 1598 | 97  | 132  | 01.19- | ■ |  |
| 2.0 VVTi (MZEA12) (M20A-FKS)                                   | elec.brake detention | Gasolina      | FWD | 1987 | 125 | 170  | 01.19- | ■ |  |
| 1.8 VVTi Hybrid (ZWE211, MZEA12) (2ZR-FXE)                     | elec.brake detention | Gasol./el éc. | FWD | 1798 | 72  | 98   | 01.19- | ■ |  |
| 1.8 VVTi Hybrid (ZWE211, MZEA12) (2ZR-FXE)                     |                      | Gasol./el éc. | FWD | 1798 | 90  | 122  | 02.19- | ■ |  |
| 1.8 VVTi Hybrid  |                      | Gasol./el éc. | FWD | 1798 | 93  | 126  | 01.19- | ■ |  |
| 1.8 VVTi Hybrid (ZWE219)                                       |                      | Gasol./el éc. | FWD | 1798 | 103 | 140  | 09.22- | ■ |  |
| <b>COROLLA XII Cross (ZVG1_, ZSG1_, MXGH1_, MXGA1_) 07.20-</b> |                      |               |     |      |     | <b>SUV (Compact Crossover SUV-C Segment)</b> |        |   |  |
| 1.8 (2ZR-FE)   | elec.brake detention | Gasolina      | FWD | 1798 | 103 | 140  | 07.20- | ■ |  |
| 1.8 (ZSG10) (2ZR-FBE)  | elec.brake detention | Gasolina      | FWD | 1798 | 103 | 140  | 07.20- | ■ |  |

# LISTA DE APLICACIONES - BUYERS GUIDE

|   |                      |                     |     |      |     |     |  |   |  |
|---|----------------------|---------------------|-----|------|-----|-----|--|---|--|
| Hybrid Flex (ZVG10) (2ZR-FXB)                       | elec.brake detention | Gasol./etanol/eléc. | FWD | 1798 | 90  | 122 | 03.21-                                     | ■ |  |
| Flex (ZVG10) (M20A-FKB)                             | elec.brake detention | Gasol./Etanol       | FWD | 1987 | 130 | 177 | 03.21-                                     | ■ |  |
| 1.8 Hybrid (ZVG10, ZVG11, XG1T) (2ZR-FXE)           | elec.brake detention | Gasol./eléc.        | FWD | 1798 | 72  | 98  | 07.20-                                     | ■ |  |
| <b>YARIS IV / VITZ (_P21_, _PA1_, _PH1_) 02.20-</b> |                      |                     |     |      |     |     | <b>Hatchback (Supermini car-B Segment)</b> |   |  |
| 1.5 Hybrid (MXPH11) (M15A-FXE)                      |                      | Gasol./eléc.        | FWD | 1490 | 68  | 92  | 02.20-                                     | ■ |  |
| 1.5 Hybrid (MXPH10, MXPH11)                         |                      | Gasol./eléc.        | FWD | 1490 | 85  | 116 | 02.20-                                     | ■ |  |
| <b>TOYOTA (FAW)</b>                                 |                      |                     |     |      |     |     |  |   |  |
| <b>COROLLA (_E21_, _EA1_) 08.19-</b>                |                      |                     |     |      |     |     | <b>Saloon (Compact car-C Segment)</b>      |   |  |
| 1.2 (NRE210)  | elec.brake detention | Gasolina            | FWD | 1197 | 85  | 116 | 08.19-                                     | ■ |  |
| 1.8 Hybrid (ZWE211)                                 | elec.brake detention | Gasol./eléc.        | FWD | 1798 | 72  | 98  | 08.19-                                     | ■ |  |
| <b>TOYOTA (GAC)</b>                                 |                      |                     |     |      |     |     |  |   |  |
| <b>LEVIN II (_E21_, _EA1_) 05.19-</b>               |                      |                     |     |      |     |     | <b>Saloon (Compact car-C Segment)</b>      |   |  |
| 185T (NRE210)                                       |                      | Gasolina            | FWD | 1197 | 85  | 116 | 05.19-                                     | ■ |  |
| Hybrid (ZWE211)                                     |                      | Gasolina            | FWD | 1798 | 72  | 98  | 05.19-                                     | ■ |  |