

LISTA DE APLICACIONES - BUYERS GUIDE

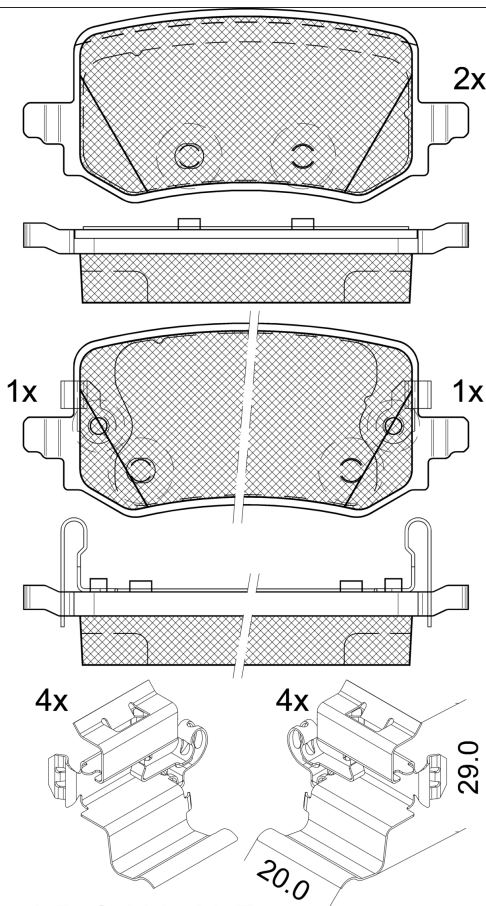
182421



Qty: 300

Weight: 960

| O.E.M. | MAKE |
|-------------|---------|
| 58302-N7A10 | HYUNDAI |
| 58302-N7A60 | HYUNDAI |
| 58302-N9A00 | KIA |



1-Ref. 690560 E

182421

E 9 90R-02A0111/5764



ZF Sachs

101.9x44.4x17.4

| WVA | FMSI |
|-------|------------|
| 26487 | D2512-9744 |
| 26488 | |
| 26489 | |

| MAKE |
|-------------------|
| HYUNDAI |
| HYUNDAI (BEIJING) |
| KIA |



| Trac. | CC | Kw | CV |
|-------|----|----|----|
|-------|----|----|----|



Front / Rear

HYUNDAI

TUCSON IV (NX4E, NX4A) 10.20-

SUV (Compact SUV-J Segment)

| Model | Features | Fuel | Trac. | CC | Kw | CV | Year | Availability |
|-------------------------------------|--|---------------|-------|------|-----|-----|--------|--------------|
| 1.6 T-GDI | not elec.brak.detent elec.brake detention | Gasolina | FWD | 1598 | 110 | 150 | 05.21- | ■ |
| 1.6 T-GDI HTRAC | not elec.brak.detent, Rim 16, elec.brake detention | Gasolina | 4WD | 1598 | 110 | 150 | 01.22- | ■ |
| 1.6 T-GDI | | Gasolina | FWD | 1598 | 118 | 160 | 05.24- | ■ |
| 1.6 T-GDI | elec.brake detention | Gasolina | FWD | 1598 | 132 | 179 | 07.21- | ■ |
| 1.6 T-GDI HTRAC (G4FP) | elec.brake detention | Gasolina | 4WD | 1598 | 132 | 180 | 01.21- | ■ |
| 2.0 MPi | | Gasolina | FWD | 1999 | 110 | 150 | 01.21- | ■ |
| 2.0 MPi HTRAC | | Gasolina | 4WD | 1999 | 110 | 150 | 01.21- | ■ |
| 2.0 MPi | elec.brake detention | Gasolina | FWD | 1999 | 115 | 156 | 01.21- | ■ |
| 2.5 GDi (G4KN) | elec.brake detention | Gasolina | FWD | 2497 | 139 | 189 | 06.21- | ■ |
| 2.5 GDi HTRAC (G4KN) | elec.brake detention | Gasolina | 4WD | 2497 | 139 | 189 | 06.21- | ■ |
| 2.5 GDi HTRAC | | Gasolina | 4WD | 2497 | 140 | 190 | 01.21- | ■ |
| 1.6 T-GDi Hybrid 48V | elec.brake detention | Gasol./el éc. | FWD | 1598 | 110 | 150 | 11.20- | ■ |
| 1.6 T-GDi Hybrid 48V | | Gasol./el éc. | FWD | 1598 | 118 | 160 | 06.24- | ■ |
| 1.6 T-GDi Hybrid 48V A las 4 ruedas | | Gasol./el éc. | 4WD | 1598 | 118 | 160 | 06.24- | ■ |
| 1.6 T-GDi Hybrid | elec.brake detention | Gasol./el éc. | FWD | 1598 | 132 | 179 | 11.20- | ■ |
| 1.6 T-GDi Hybrid 48V | elec.brake detention | Gasol./el éc. | FWD | 1598 | 132 | 179 | 11.20- | ■ |
| 1.6 T-GDi Hybrid 48V HTRAC | elec.brake detention | Gasol./el éc. | 4WD | 1598 | 132 | 179 | 11.20- | ■ |
| 1.6 T-GDI Hybrid HTRAC | elec.brake detention | Gasol./el éc. | 4WD | 1598 | 132 | 179 | 11.20- | ■ |
| 1.6 T-GDI Plug-in-Hybrid HTRAC | elec.brake detention | Gasol./el éc. | 4WD | 1598 | 132 | 179 | 05.21- | ■ |

LISTA DE APLICACIONES - BUYERS GUIDE

| | | | | | | | | |
|--------------------------------|--|------------------|-----|------|-----|-----|--------|---|
| 1.6 T-GDi Hybrid | | Gasol./el éc. | FWD | 1598 | 158 | 215 | 06.24- | ■ |
| 1.6 T-GDi Hybrid 4WD | | Gasol./el éc. | 4WD | 1598 | 158 | 215 | 06.24- | ■ |
| 1.6 T-GDi Hybrid | elec.brake detention | Gasol./el éc. | FWD | 1598 | 169 | 230 | 11.20- | ■ |
| 1.6 T-GDI Hybrid HTRAC | elec.brake detention | Gasol./el éc. | 4WD | 1598 | 169 | 230 | 11.20- | ■ |
| 1.6 T-GDI Plug-in-Hybrid HTRAC | | Gasol./el éc. | 4WD | 1598 | 185 | 252 | 06.24- | ■ |
| 1.6 T-GDI Plug-in-Hybrid HTRAC | | Gasol./el éc. | FWD | 1598 | 185 | 252 | 06.24- | ■ |
| 1.6 T-GDI Plug-in-Hybrid HTRAC | elec.brake detention | Gasol./el éc. | 4WD | 1598 | 195 | 265 | 05.21- | ■ |
| 1.6 CRDi hybrid 48V | not elec.brak.detent elec.brake detention | Diesel/el éc. | FWD | 1598 | 100 | 136 | 11.20- | ■ |
| 1.6 CRDi Hybrid 48V HTRAC | not elec.brak.detent elec.brake detention | Diesel/el éc. | 4WD | 1598 | 100 | 136 | 11.20- | ■ |
| 1.6 CRDI | not elec.brak.detent elec.brake detention | Diesel | FWD | 1598 | 85 | 116 | 11.20- | ■ |
| 1.6 CRDI | | Diesel | FWD | 1598 | 100 | 136 | 11.20- | ■ |
| 1.6 CRDi HTRAC | | Diesel | 4WD | 1598 | 100 | 136 | 11.20- | ■ |
| 2.0 CRDi (D4HD) | elec.brake detention | Diesel | FWD | 1998 | 137 | 186 | 10.20- | ■ |
| 2.0 CRDi AWD (D4HD) | elec.brake detention | Diesel | 4WD | 1998 | 137 | 186 | 10.20- | ■ |

HYUNDAI (BEIJING)

| | | | | | | | | |
|------------------------------|--|----------|-----|------------------------------------|-----|-----|--------|---|
| TUCSON IV (NX) 04.21- | | | | SUV (Compact SUV-J Segment) | | | | |
| 1.5 (G4FS) | | Gasolina | FWD | 1497 | 147 | 200 | 04.21- | ■ |

KIA

| | | | | | | | | |
|--------------------------------|---|----------------------|-----|------------------------------------|-----|-----|--------|---|
| SPORTAGE V (NQ5) 09.21- | | | | SUV (Compact SUV-J Segment) | | | | |
| 1.6 T-GDI | Rim 16, elec.brake detention, not elec.brak.detent | Gasolina | FWD | 1598 | 110 | 150 | 11.21- | ■ |
| 1.6 T-GDI | | Gasolina | FWD | 1598 | 118 | 160 | 02.24- | ■ |
| 1.6 T-GDI (G4FP) | Rim 16, not elec.brak.detent, elec.brake detention | Gasolina | FWD | 1598 | 132 | 180 | 09.21- | ■ |
| 1.6 T-GDI AWD | Rim 16, not elec.brak.detent, elec.brake detention | Gasolina | 4WD | 1598 | 132 | 180 | 09.21- | ■ |
| 2.0 MPi (G4NL) | not elec.brak.detent, Rim 16, elec.brake detention | Gasolina | FWD | 1999 | 115 | 156 | 09.21- | ■ |
| 1.6 LPG | | Gasol./G as (LPG) | FWD | 1598 | 100 | 136 | 01.23- | ■ |
| 1.6 T-GDI MHEV | Rim 16, elec.brake detention, not elec.brak.detent | Gasol./el éc. | FWD | 1598 | 110 | 150 | 11.21- | ■ |
| 1.6 T-GDI MHEV AWD | Rim 16, elec.brake detention, not elec.brak.detent | Gasol./el éc. | 4WD | 1598 | 110 | 150 | 11.21- | ■ |
| 1.6 T-GDI MHEV | | Gasol./el éc. | FWD | 1598 | 118 | 160 | 02.24- | ■ |
| 1.6 T-GDI MHEV AWD | | Gasol./el éc. | 4WD | 1598 | 118 | 160 | 02.24- | ■ |
| 1.6 T-GDi Hybrid | | Gasol./el éc. | FWD | 1598 | 132 | 180 | 11.21- | ■ |
| 1.6 T-GDI MHEV | South Korea, Rim 16, not elec.brak.detent, elec.brake detention | Gasol./el éc. | FWD | 1598 | 132 | 179 | 11.21- | ■ |
| 1.6 T-GDI MHEV AWD | South Korea, Rim 16, not elec.brak.detent, elec.brake detention | Gasol./el éc. | 4WD | 1598 | 132 | 179 | 11.21- | ■ |
| 1.6 T-GDi Plug-in Hybrid AWD | not elec.brak.detent, Rim 16, elec.brake detention | Gasol./el éc. | 4WD | 1598 | 132 | 180 | 11.21- | ■ |
| 1.6 T-GDi Hybrid | | Gasol./el éc. | FWD | 1598 | 154 | 209 | 06.24- | ■ |
| 1.6 T-GDi Hybrid AWD | | Gasol./el éc. | 4WD | 1598 | 154 | 209 | 06.24- | ■ |
| 1.6 T-GDi Hybrid | | Gasol./el éc. | FWD | 1598 | 158 | 215 | 02.24- | ■ |
| 1.6 T-GDi Hybrid AWD | | Gasol./el éc. | 4WD | 1598 | 158 | 215 | 02.24- | ■ |

LISTA DE APLICACIONES - BUYERS GUIDE

| | | | | | | | | |
|------------------------------|---|------------------|-----|------|-----|-----|--------|---|
| 1.6 T-GDi Hybrid | | Gasol./el éc. | FWD | 1598 | 169 | 230 | 11.21- | ■ |
| 1.6 T-GDi Hybrid AWD | | Gasol./el éc. | 4WD | 1598 | 169 | 230 | 11.21- | ■ |
| 1.6 T-GDi Plug-in Hybrid AWD | | Gasol./el éc. | 4WD | 1598 | 185 | 252 | 02.24- | ■ |
| 1.6 T-GDi Plug-in Hybrid AWD | Rim 16, elec.brake detention, not elec.brak.detent | Gasol./el éc. | 4WD | 1598 | 195 | 265 | 11.21- | ■ |
| 1.6 CRDi MHEV | Rim 16, elec.brake detention, not elec.brak.detent | Diesel/el éc. | FWD | 1598 | 100 | 136 | 11.21- | ■ |
| 1.6 CRDi MHEV AWD | Rim 16, elec.brake detention, not elec.brak.detent | Diesel/el éc. | 4WD | 1598 | 100 | 136 | 11.21- | ■ |
| 1.6 CRDi | Rim 16, elec.brake detention, not elec.brak.detent | Diesel | FWD | 1598 | 85 | 116 | 11.21- | ■ |