

LISTA DE APLICACIONES - BUYERS GUIDE

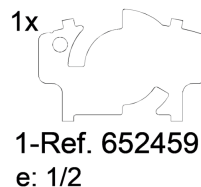
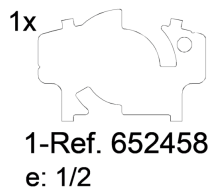
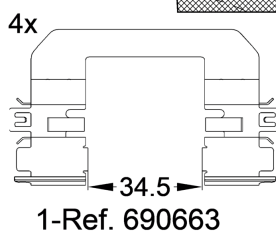
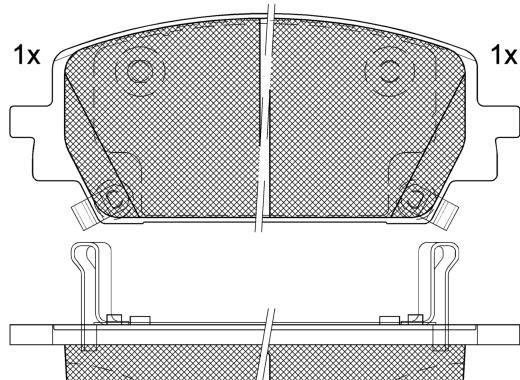
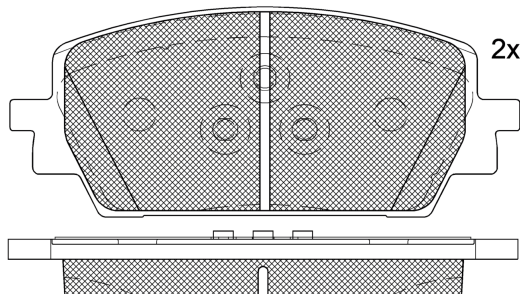
182428



Qty: 300

Weight: 2.330

O.E.M.	MAKE
58101-P2A00	KIA
58101-P2A70	KIA
58101-P2A80	KIA
58101-T1A00	GENESIS
58101-T1A10	HYUNDAI



182428

E 9 90R-02A0111/5593



154.3x63.6x17.7

WVA	FMSI
26465	D2380-9608
26466	D2393-9608
26467	

MAKE
GENESIS
HYUNDAI
KIA
KIA (DYK)



Trac.	CC	Kw	CV
-------	----	----	----



Front / Rear

GENESIS

G80 (RG) 08.20-						Saloon (Executive car-E Segment)			
2.5 T-GDI (RG3)	Gasolina	RWD	2497	224	304	08.20-			
2.5 T-GDI AWD (RG3)	Gasolina	4WD	2497	224	304	08.20-			

HYUNDAI

(MX5) 01.24-						SUV ()			
1.6 T-GDi Hybrid	Gasol./el éc.	FWD	1598	158	215	06.24-			
1.6 T-GDI Hybrid HTRAC	Gasol./el éc.	4WD	1598	158	215	06.24-			
1.6 T-GDI PHEV HTRAC	Gasol./el éc.	4WD	1598	186	253	06.24-			

SANTA FE IV (TM, TMA) 02.18-						SUV (Executive SUV-J Segment)			
2.5 MPI	Gasolina	FWD	2497	132	180	07.21-			
2.5 MPI AWD	Gasolina	4WD	2497	132	180	07.21-			
1.6 T-GDi Hybrid	Gasol./el éc.	FWD	1598	132	179	08.20-			
1.6 T-GDI Hybrid HTRAC	Gasol./el éc.	4WD	1598	132	179	08.20-			
1.6 T-GDI Plug-in-Hybrid HTRAC	Gasol./el éc.	4WD	1598	132	179	03.21-			
1.6 T-GDi Hybrid	Gasol./el éc.	FWD	1598	169	230	08.20-			
1.6 T-GDI Hybrid HTRAC	Gasol./el éc.	4WD	1598	169	230	08.20-			
1.6 T-GDI Plug-in-Hybrid HTRAC	Gasol./el éc.	4WD	1598	195	265	03.21-			
2.2 CRDi	Diesel	FWD	2151	142	193	04.22-			
2.2 CRDi HTRAC	Diesel	4WD	2151	142	193	04.22-			

LISTA DE APLICACIONES - BUYERS GUIDE

2.2 CRDi	Rim 17, Rim 18	Diesel	FWD	2151	148	201	11.20-	■
2.2 CRDi HTRAC	Rim 18, Rim 17	Diesel	4WD	2151	148	201	11.20-	■
KIA								
SORENTO IV (MQ4, MQ4A) 03.20-				SUV (Compact SUV-J Segment)				
2.5 MPI	Rim 17, Rim 18	Gasolina	FWD	2497	132	180	04.21-	■
2.5 MPI AWD	Rim 17, Rim 18	Gasolina	4WD	2497	132	180	04.21-	■
1.6 T-GDi Hybrid (G4FE)		Gasol./el éc.	FWD	1598	132	179	06.20-	■
1.6 T-GDi Hybrid AWD (G4FE)		Gasol./el éc.	4WD	1598	132	179	06.20-	■
1.6 T-GDi Hybrid AWD		Gasol./el éc.	4WD	1598	132	179	11.20-	■
1.6 T-GDi Hybrid		Gasol./el éc.	FWD	1598	158	215	02.24-	■
1.6 T-GDi Hybrid AWD		Gasol./el éc.	4WD	1598	158	215	02.24-	■
1.6 T-GDi Hybrid (G4FE)		Gasol./el éc.	FWD	1598	169	230	06.20-	■
1.6 T-GDi Hybrid AWD (G4FE)		Gasol./el éc.	4WD	1598	169	230	06.20-	■
1.6 T-GDi Plug-in Hybrid AWD		Gasol./el éc.	4WD	1598	185	252	02.24-	■
1.6 T-GDi Plug-in Hybrid AWD		Gasol./el éc.	4WD	1598	195	265	11.20-	■
2.2 CRDi (D4HE)	Rim 17, Rim 18	Diesel	FWD	2151	142	193	01.22-	■
2.2 CRDi AWD (D4HE)	Rim 17, Rim 18	Diesel	4WD	2151	142	193	01.22-	■
2.2 CRDi (D4HE)	Rim 17, Rim 18	Diesel	FWD	2151	148	201	03.20-	■
2.2 CRDi 4WD (D4HE)	Rim 17, Rim 18	Diesel	4WD	2151	148	201	03.20-	■
KIA (DYK)								
KX7 03.17-				Closed Off-Road Vehicle ()				
2.0 TGDI (G4KH)		Gasolina	FWD	1998	177	241	03.17-	■
2.0 TGDI 4WD (G4KH)		Gasolina	4WD	1998	177	241	03.17-	■
2.0 GDI (G4NC)		Gasolina	FWD	1999	120	163	03.17-	■
KX7 03.17-				SUV ()				
2.4 GDI (G4KJ)		Gasolina	FWD	2359	138	188	03.17-	■
2.4 GDI (G4KJ)		Gasolina	4WD	2359	138	188	03.17-	■