

# LISTA DE APLICACIONES - BUYERS GUIDE

## 182436

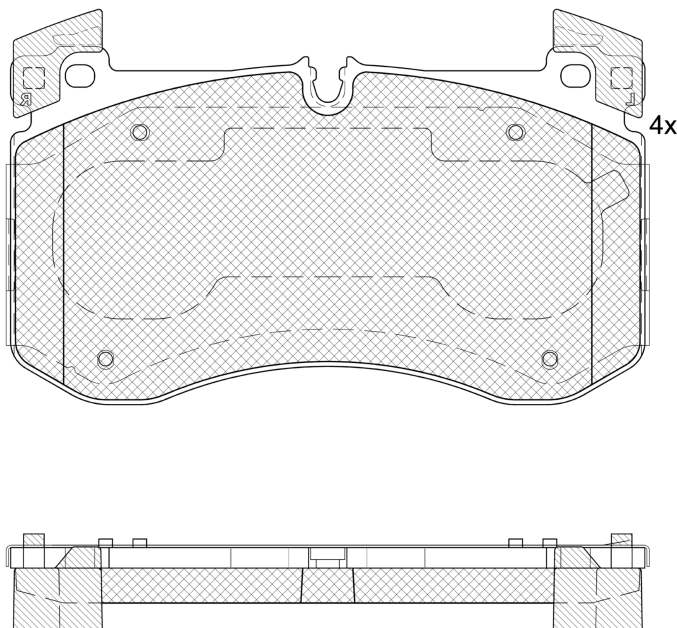


8 424073 207326

Qty: 300

Weight: 5.400

O.E.M.	MAKE
000 420 13 03	MERCEDES-BENZ
000 420 24 05	MERCEDES-BENZ
000 420 41 05	MERCEDES-BENZ
000 420 46 03	MERCEDES-BENZ
000 420 50 02	MERCEDES-BENZ



## 182436

**E 9** 90R-02A0111/5448



Brembo

188.2x115.3x16.9

WVA	FMSI
22697	D2238-9477
26286	
MAKE	
MERCEDES-BENZ	



Trac.	CC	Kw	CV



Front / Rear

### MERCEDES-BENZ

G-Class (W463) 01.18-						Closed Off-Road Vehicle (Off-Road SUV-J Segment)			
AMG G 63 (463.276, 463.277) (M 177.980)	AMG Sports Package	Gasolina	4WD	3982	430	585	03.18-		■
AMG G 63 4x4 <sup>2</sup> (463.280)		Gasolina	4WD	3982	430	585	10.22-		■
GLE-Class II (V167) 10.18-						SUV (Executive SUV-J Segment)			
GLE 350 4-matic (167.349)		Gasolina	4WD	1991	190	258	09.20-		■
GLE 350 e 4-matic (167.154) (M 274.920)		Gasol./el éc.	4WD	1991	245	333	06.20-03.23		■
GLE 350 e 4-matic (167.354) (M 274.920)		Gasol./el éc.	4WD	1991	245	333	06.20-03.23		■
GLE 400 e 4-matic (167.146)		Gasol./el éc.	4WD	1999	280	381	03.23-		■
GLE 400 e 4-matic (167.346)		Gasol./el éc.	4WD	1999	280	381	03.23-		■
GLE 450 EQ Boost 4-matic (167.359) (M 256.925)	sports package	Gasol./el éc.	4WD	2498	270	367	11.20-		■
GLE 450 EQ Boost 4-matic (167.359) (M 256.925)		Gasol./el éc.	4WD	2498	270	367	09.20-		■
GLE 450 EQ Boost 4-matic (167.359) (M 256.930)	sports package, SA U29	Gasol./el éc.	4WD	2999	270	367	10.18-		■
GLE 450 EQ Boost 4-matic (167.359) (M 256.930)		Gasol./el éc.	4WD	2999	270	367	02.20-		■
GLE 450 4-matic (167.159)		Gasol./el éc.	4WD	2999	280	381	03.23-		■
AMG GLE 53 EQ Boost 4-matic+ (167.361) (M 256.930)	sports package, SA U29	Gasol./el éc.	4WD	2999	320	435	04.19-		■
AMG GLE 53 EQ Boost 4-matic+ (167.361) (M 256.930)	SA U70   SA U29, sports package	Gasol./el éc.	4WD	2999	320	435	11.19-		■
AMG GLE 53 Hybrid 4-matic+ (167.164)		Gasol./el éc.	4WD	2999	400	544	11.23-		■
AMG GLE 53 Plug-in Hybrid 4-matic+ (167.364)		Gasol./el éc.	4WD	2999	400	544	11.23-		■

# LISTA DE APLICACIONES - BUYERS GUIDE

GLE 580 EQ Boost 4-matic (167.186) (M 176.980)	sports package, SA U29	Gasol./el éc.	4WD	3982	360	489	11.19-03.23	■	
AMG GLE 63 EQ Boost 4-matic+ (167.389) (M 177.980)	not ceramic disc	Gasol./el éc.	4WD	3982	420	571	11.19-03.23	■	
AMG GLE 63 EQ Boost 4-matic+ (167.389) (M 177.980)	SA B06/U70, SA U29, sports package	Gasol./el éc.	4WD	3982	420	571	03.20-03.23	■	
AMG GLE 63 EQ Boost 4-matic+ (167.389) (M 177.980)	SA B06/U70, sports package, SA U29	Gasol./el éc.	4WD	3982	450	612	03.20-	■	
AMG GLE 63 S EQ Boost 4-matic+ (167.189) (M 177.980)	not ceramic disc	Gasol./el éc.	4WD	3982	450	612	11.19-	■	
GLE 350 de 4-matic (167.317) (OM 654.920)	sports package, SA U29	Diesel/el éc.	4WD	1950	143	194	11.19-	■	
GLE 350 de 4-matic (167.317) (OM 654.920)	M-sport package, sports package	Diesel/el éc.	4WD	1950	143	194	03.20-	■	
GLE 350 de 4-matic (167.317) (OM 654.920)	M-sport package, sports package, SA U29	Diesel/el éc.	4WD	1950	225	306	11.19-03.23	■	
GLE 350 de 4-matic (167.317) (OM 654.920)	SA U29, sports package	Diesel/el éc.	4WD	1950	235	320	03.20-03.23	■	
GLE 350 de 4-matic (167.317) (OM 654.920)	M-sport package, sports package	Diesel/el éc.	4WD	1950	235	320	03.20-03.23	■	
GLE 300 d 4-matic (167.119)		Diesel/el éc.	4WD	1992	198	269	03.23-	■	
GLE 300 d 4-matic (167.309)		Diesel/el éc.	4WD	1992	198	269	03.23-	■	
GLE 300 d EQ Boost 4-matic (167.309) (OM 654.820)		Diesel/el éc.	4WD	1992	200	272	06.21-03.23	■	
GLE 300 d EQ Boost 4-matic (167.309)		Diesel/el éc.	4WD	1992	200	272	06.21-03.23	■	
GLE 350 de 4-matic (167.317)		Diesel/el éc.	4WD	1992	245	333	03.23-	■	
GLE 350 de 4-matic (167.317)		Diesel/el éc.	4WD	1992	245	333	03.23-	■	
GLE 450 d 4-matic (167.333)		Diesel/el éc.	4WD	2989	272	370	03.23-	■	
GLE 300 d 4-matic (167.119) (OM 654.920)	sports package, SA U29	Diesel	4WD	1950	180	245	10.18-03.23	■	
GLE 350 d 4-matic (167.321)	sports package, SA U29	Diesel	4WD	2925	183	249	10.21-	■	
GLE 350 d 4-matic (167.121) (OM 656.929)	sports package, SA U29	Diesel	4WD	2925	200	272	12.18-05.21	■	
GLE 350 d 4-matic (167.321) (OM 656.929)	sports package, SA U29	Diesel	4WD	2925	200	272	11.19-03.23	■	
GLE 400 d 4-matic (167.123) (OM 656.929)	sports package, SA U29	Diesel	4WD	2925	243	330	12.18-03.23	■	
GLE 400 d 4-matic (167.323) (OM 656.929)	sports package, SA U29	Diesel	4WD	2925	243	330	11.19-03.23	■	
<b>GLS-Class III (X167) 04.19-</b>					<b>SUV (Luxury Crossover SUV-J Segment)</b>				
400 EQ Boost 4-matic(167.956) (M 256.925)		Gasol./el éc.	4WD	2498	230	313	11.20-	■	
450 EQ Boost 4-matic (167.959) (M 256.925)	sports package	Gasol./el éc.	4WD	2498	270	367	11.20-	■	
450 EQ Boost 4-matic (167.959) (M 256.930)	sports package, SA U29	Gasol./el éc.	4WD	2999	270	367	06.19-	■	
Maybach 480 EQ Boost 4-matic (167.967)	M-sport package	Gasol./el éc.	4WD	2999	270	367	11.20-	■	
450 Mild Hybrid 4-matic (167.959)		Gasol./el éc.	4WD	2999	280	381	04.23-	■	
580 EQ Boost 4-matic (167.986, 167.980) (M 176.980)	sports package, SA U29	Gasol./el éc.	4WD	3982	360	489	11.19-	■	
AMG 63 4Matic+ EQ Boost 4-matic+ (167.989) (M 177.980)	SA U29, sports package	Gasol./el éc.	4WD	3982	450	612	11.19-	■	
350 d Mild Hybrid 4-matic (167.931)		Diesel/el éc.	4WD	2989	230	313	05.23-	■	
450 d Mild-Hybrid 4-matic (167.933)		Diesel/el éc.	4WD	2989	270	367	04.23-	■	
350 d 4-matic (167.921) (OM 656.929)	sports package, SA U29	Diesel	4WD	2925	210	286	04.19-	■	
400 d 4-matic (167.923) (OM 656.929)	sports package, SA U29	Diesel	4WD	2925	243	330	04.19-	■	