

LISTA DE APLICACIONES - BUYERS GUIDE

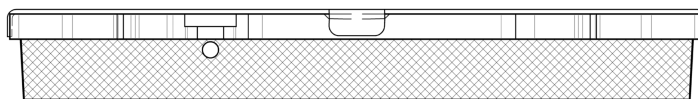
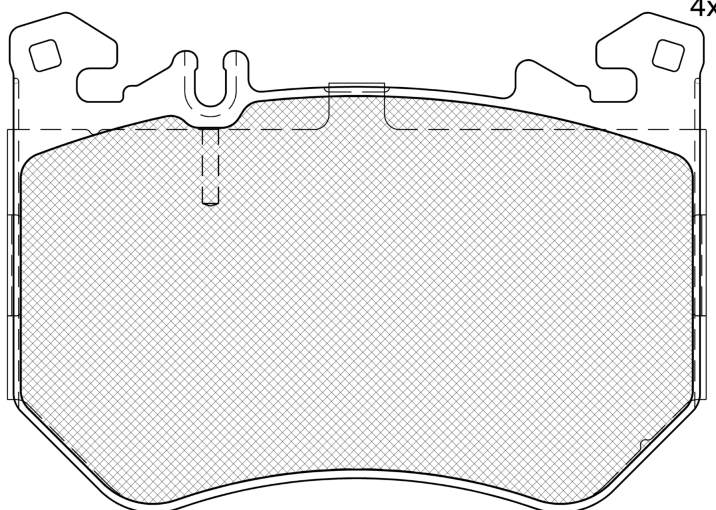
182439-208



Qty: 300

Weight: 3.040

O.E.M.	MAKE
000 421 06 02	MERCEDES-BENZ
000 421 24 02	MERCEDES-BENZ



182439-208

E 9 90R-02A0111/6315



Brembo

138.5x99.1x17.9

WVA	FMSI
26443	D2483-9680
MAKE	
MERCEDES-BENZ	



Trac.	CC	Kw	CV
-------	----	----	----



Front / Rear

MERCEDES-BENZ

C-Class C (W206) 03.21-						Saloon (Compact executive car-D Segment)		
AMG C 43 4-matic+ (206.087)		Gasol./el éc.	4WD	1991	300	408	04.22-	■
AMG C 43 4-matic (206.087)		Gasol./el éc.	4WD	1991	310	421	04.24-	■
C-Class C T-Model (S206) 03.21-						Estate (Compact executive car-D Segment)		
AMG C 43 4-matic+ (206.287)		Gasol./el éc.	4WD	1991	300	408	04.22-	■
AMG C 43 4-matic (206.287)		Gasol./el éc.	4WD	1991	310	421	04.24-	■
GLC-Class II (C254) 06.22-						SUV (Luxury Crossover SUV-J Segment)		
AMG 43 4-matic (254.387)		Gasol./el éc.	4WD	1991	310	421	07.23-	■
AMG 43 4-matic (254.687)		Gasol./el éc.	4WD	1991	310	421	07.23-	■
AMG 63S E Performance 4-matic (254.680)		Gasol./el éc.	4WD	1991	500	680	09.23-	■
AMG 63S E Performance 4-matic (254.680)		Gasol./el éc.	4WD	1991	500	680	07.23-	■