

LISTA DE APLICACIONES - BUYERS GUIDE

182442

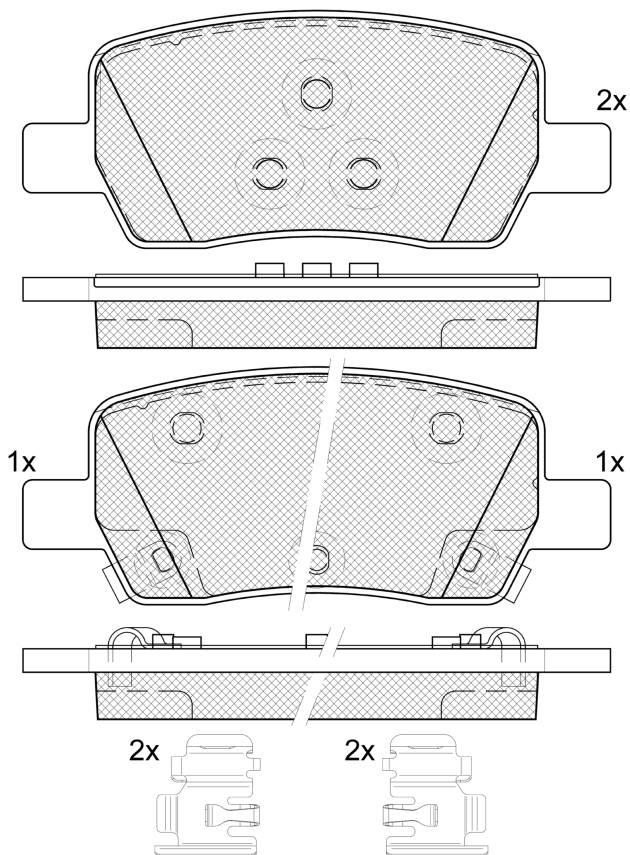


8 424073 207425

Qty: 300

Weight: 1.225

O.E.M.	MAKE
58302-K5A00	HYUNDAI
58302-P2A30	KIA
58302-P2A50	KIA
58302-P2A51	HYUNDAI
58302-R0A00	KIA



1-Ref. 690664 E

182442

E 9 90R-02A0111/5594



Mando

125.1x50.6x15.7

WVA	FMSI
26459	D2381-9609
26460	
26461	

MAKE
HYUNDAI
KIA
KIA (DYK)



Trac.	CC	Kw	CV
-------	----	----	----



Front / Rear

HYUNDAI

(MX5) 01.24-								SUV ()
1.6 T-GDi Hybrid		Gasol./el éc.	FWD	1598	158	215	06.24-	■
1.6 T-GDI Hybrid HTRAC		Gasol./el éc.	4WD	1598	158	215	06.24-	■
1.6 T-GDI PHEV HTRAC		Gasol./el éc.	4WD	1598	186	253	06.24-	■

SANTA FE IV (TM, TMA) 02.18-								SUV (Executive SUV-J Segment)
2.5 MPI		Gasolina	FWD	2497	132	180	07.21-	■
2.5 MPI AWD		Gasolina	4WD	2497	132	180	07.21-	■
1.6 T-GDi Hybrid		Gasol./el éc.	FWD	1598	132	179	08.20-	■
1.6 T-GDI Hybrid HTRAC		Gasol./el éc.	4WD	1598	132	179	08.20-	■
1.6 T-GDi Hybrid		Gasol./el éc.	FWD	1598	169	230	08.20-	■
1.6 T-GDI Hybrid HTRAC		Gasol./el éc.	4WD	1598	169	230	08.20-	■
1.6 T-GDI Plug-in-Hybrid HTRAC		Gasol./el éc.	4WD	1598	195	265	03.21-	■
2.2 CRDi		Diesel	FWD	2151	142	193	04.22-	■
2.2 CRDi HTRAC		Diesel	4WD	2151	142	193	04.22-	■
2.2 CRDi		Diesel	FWD	2151	148	201	11.20-	■
2.2 CRDi HTRAC		Diesel	4WD	2151	148	201	11.20-	■

KIA

CARNIVAL IV / GRAND CARNIVAL / SEDONA (KA4) 09.20-								MPV (Large MPV-M1 Segment)
3.5 MPI		Gasolina	FWD	3470	183	249	06.21-	■
3.5 GDI (G6DT)		Gasolina	FWD	3470	216	294	09.20-	■

LISTA DE APLICACIONES - BUYERS GUIDE

2.2 CRDi VGT (D4HE)		Diesel	FWD	2151	148	201	09.20-	■	
SORENTO IV (MQ4, MQ4A) 03.20-					SUV (Compact SUV-J Segment)				
2.5 MPI	Rim 17	Gasolina	FWD	2497	132	180	04.21-	■	
2.5 MPI AWD	Rim 17	Gasolina	4WD	2497	132	180	04.21-	■	
1.6 T-GDi Hybrid (G4FE)		Gasol./el éc.	FWD	1598	132	179	06.20-	■	
1.6 T-GDi Hybrid AWD (G4FE)		Gasol./el éc.	4WD	1598	132	179	06.20-	■	
1.6 T-GDi Hybrid AWD		Gasol./el éc.	4WD	1598	132	179	11.20-	■	
1.6 T-GDi Hybrid		Gasol./el éc.	FWD	1598	158	215	02.24-	■	
1.6 T-GDi Hybrid AWD		Gasol./el éc.	4WD	1598	158	215	02.24-	■	
1.6 T-GDi Hybrid (G4FE)		Gasol./el éc.	FWD	1598	169	230	06.20-	■	
1.6 T-GDi Hybrid AWD (G4FE)		Gasol./el éc.	4WD	1598	169	230	06.20-	■	
1.6 T-GDi Plug-in Hybrid AWD		Gasol./el éc.	4WD	1598	185	252	02.24-	■	
1.6 T-GDi Plug-in Hybrid AWD		Gasol./el éc.	4WD	1598	195	265	11.20-	■	
2.2 CRDi (D4HE)		Diesel	FWD	2151	142	193	01.22-	■	
2.2 CRDi AWD (D4HE)		Diesel	4WD	2151	142	193	01.22-	■	
2.2 CRDi (D4HE)		Diesel	FWD	2151	148	201	03.20-	■	
2.2 CRDi 4WD (D4HE)		Diesel	4WD	2151	148	201	03.20-	■	
KIA (DYK)									
CARNIVAL 09.21-					MPV (Large MPV-M1 Segment)				
2.0 (G4NN)		Gasolina	FWD	1975	174	232	09.21-	■	
KX7 03.17-					Closed Off-Road Vehicle ()				
2.0 TGDI (G4KH)		Gasolina	FWD	1998	177	241	03.17-	■	
2.0 TGDI 4WD (G4KH)		Gasolina	4WD	1998	177	241	03.17-	■	
2.0 GDI (G4NC)		Gasolina	FWD	1999	120	163	03.17-	■	
KX7 03.17-					SUV ()				
2.4 GDI (G4KJ)		Gasolina	FWD	2359	138	188	03.17-	■	
2.4 GDI (G4KJ)		Gasolina	4WD	2359	138	188	03.17-	■	