

LISTA DE APLICACIONES - BUYERS GUIDE

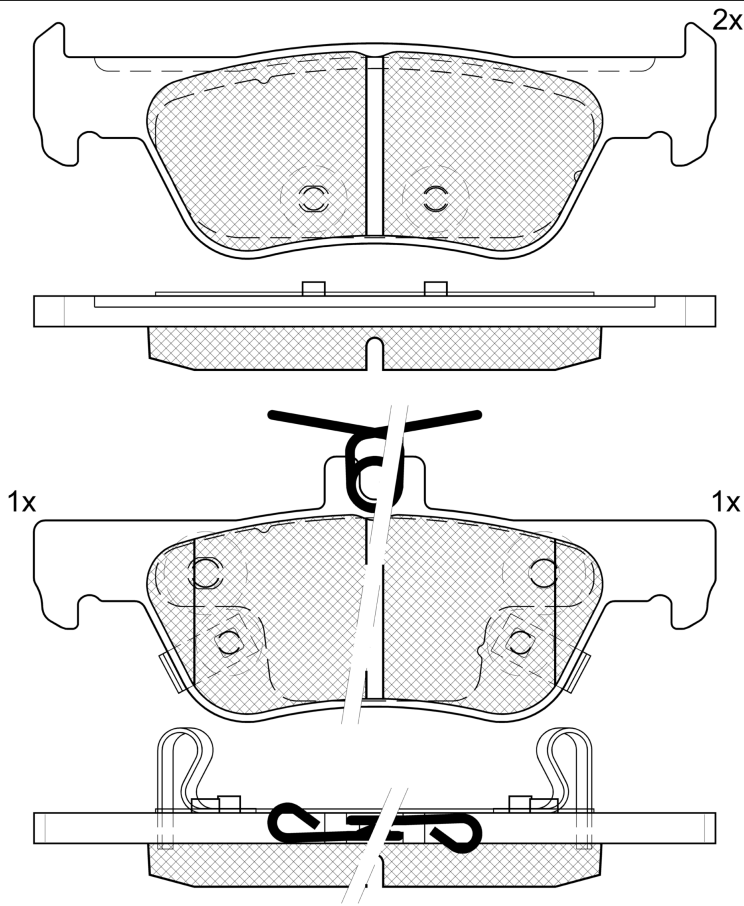
182448



Qty: 300

Weight: 840

O.E.M.	MAKE
43022-TZB-G01	HONDA
43022-TZB-G010-M	HONDA
43022-TZB-G02	HONDA
43022-TZD-J01	HONDA
43022-TZD-J02	HONDA
43022-TZD-J03	HONDA
43022-TZD-J04	HONDA



182448

E 9 **90R-02A0111/5606**



Ate - Teves

122.9x42.5x14
122.9x47.9x14

WVA

26397
26398
26399

MAKE

HONDA
HONDA (DONGFENG)
HONDA (GAC)



Trac.	CC	Kw	CV
-------	----	----	----



Front / Rear

HONDA

JAZZ IV (GR_, GS_) 02.20-							Hatchback (Supermini car-B Segment)	
1.5 eHEV (GR3, GR6) (LEB8)		Gasol./el éc.	FWD	1498	72	98	02.20-	■
1.5 eHEV (GR3, GR6) (LEB8)		Gasol./el éc.	FWD	1498	80	109	02.20-	■
1.5 eHEV 4WD (GR4) (LEB8)		Gasol./el éc.	4WD	1498	80	109	02.20-	■
1.5 eHEV (GR3, GR6)		Gasol./el éc.	FWD	1498	90	122	03.23-	■

HONDA (DONGFENG)

LIFE (GS_) 12.20-							Hatchback (Supermini car-B Segment)	
1.5 (L15B5)		Gasolina	FWD	1498	96	131	12.20-	■

HONDA (GAC)

FIT IV (GR_, GS_) 08.20-							Hatchback (Supermini car-B Segment)	
1.5 (L15BU)		Gasolina	FWD	1498	96	131	08.20-	■