

LISTA DE APLICACIONES - BUYERS GUIDE

182463

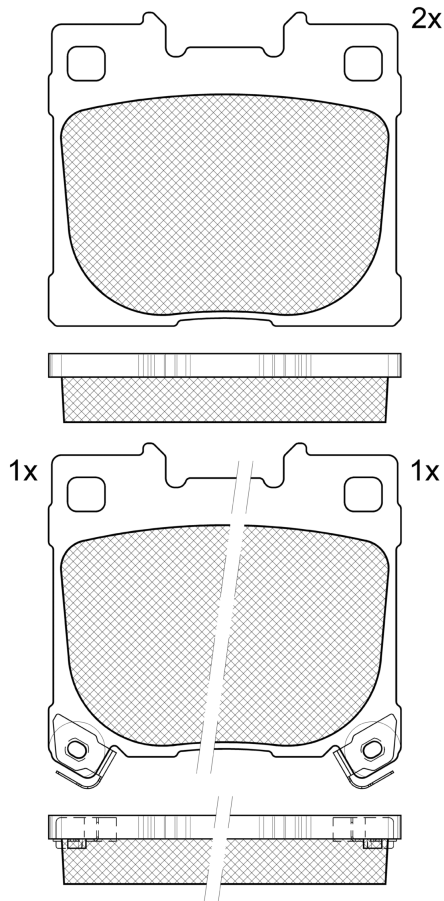


8 424073 208583

Qty: 300

Weight: 1.000

O.E.M.	MAKE
04466-52200	TOYOTA



182463

E 9 90R-02A0111/5658



Akebono

75.1x71.3x14.6

WVA	FMSI
26423	D2451-9676
26424	
26425	
MAKE	
TOYOTA	



Trac.	CC	Kw	CV
-------	----	----	----



Front / Rear

TOYOTA

YARIS IV / VITZ (_P21_, _PA1_, _PH1_) 02.20-							Hatchback (Supermini car-B Segment)	
1.6 GR 4WD (GXPA16) (G16E-GTS)		Gasolina	4WD	1618	192	261	02.20-	■
1.6 GR 4WD (GXPA16) (G16E-GTS)		Gasolina	4WD	1618	200	272	02.20-	■
1.6 GR 4WD (GXPA16)		Gasolina	4WD	1618	206	280	03.24-	■