

LISTA DE APLICACIONES - BUYERS GUIDE

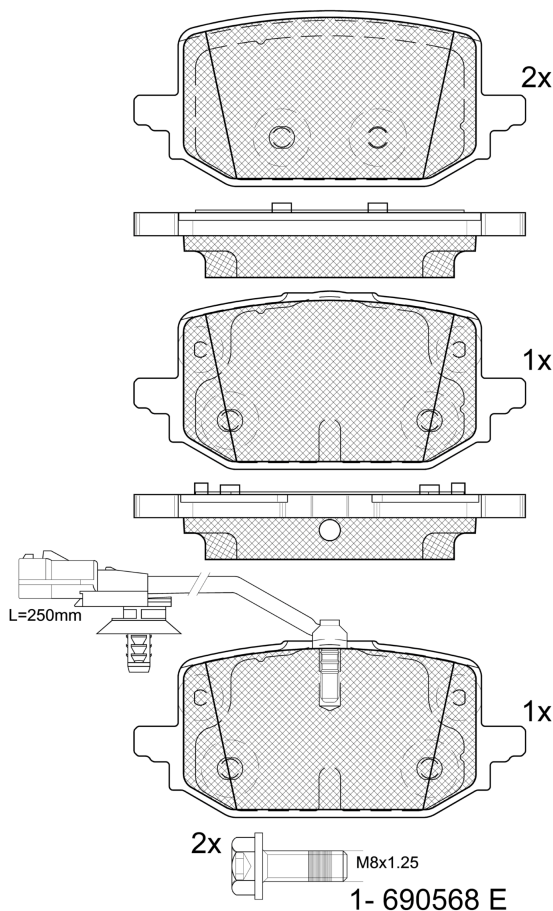
182466-203



Qty: 300

Weight: 1.060

O.E.M.	MAKE
420 420 49 00	MERCEDES-BENZ
420 420 62 00	MERCEDES-BENZ
44 06 075 33R	RENAULT
44 06 077 34R	RENAULT



182466-203

E 9 90R-02A0111/6185



Trw

102.1x45.8x17.6
102.1x46.5x17.6

WVA
26589
27004
27005

MAKE
MERCEDES-BENZ
RENAULT



	Trac.	CC	Kw	CV			Front / Rear
--	-------	----	----	----	--	--	--------------

MERCEDES-BENZ

CITAN II (W420) 09.21-	Box Body/MPV (LCVs-N1 Segment)						
1.3 110 (420.653)	Gasolina	FWD	1332	75	102	09.21-	■
1.3 113 (420.663, 420.665)	Gasolina	FWD	1332	96	131	09.21-	■
eCITAN (420.693, 420.695)	Eléctrico	FWD		90	122	09.22-	■
1.5 108 CDI (420.613)	Diesel	FWD	1461	55	75	09.21-	■
1.5 110 CDI (420.623, 420.625)	Diesel	FWD	1461	70	95	09.21-	■
1.5 112 CDI (420.633, 420.635)	Diesel	FWD	1461	85	116	09.21-	■

CITAN II (W420) 09.21-	MPV (LCVs-N1 Segment)						
110 (420.753)	Gasolina	FWD	1332	75	102	09.21-	■
113 (420.763, 420.765)	Gasolina	FWD	1332	96	131	09.21-	■
eCITAN (420.793)	Eléctrico	FWD		90	122	07.23-	■
108 CDI (420.713)	Diesel	FWD	1461	55	75	09.21-	■
110 CDI (420.723)	Diesel	FWD	1461	70	95	09.21-	■
112 CDI (420.733)	Diesel	FWD	1461	85	116	09.21-	■

EQT (W420) 01.23-	MPV (LCVs-N1 Segment)						
EQT 200 (420.893, 420.895)	Eléctrico	FWD		90	122	01.23-	■

T-CLASS (W420) 05.22-	MPV (LCVs-N1 Segment)						
T 160 (420.853)	Gasolina	FWD	1332	75	102	05.22-	■
T 180 (420.863, 420.865)	Gasolina	FWD	1332	96	131	05.22-	■
T 160 CDI (420.823)	Diesel	FWD	1461	70	95	05.22-	■
T 180 CDI (420.833)	Diesel	FWD	1461	85	116	05.22-	■

RENAULT

LISTA DE APLICACIONES - BUYERS GUIDE

GRAND KANGOO III 01.24-					MPV (LCVs-N1 Segment)			
TCe 130 (KJMB)	not elec.brak.detent, not heavy duty chas.	Gasolina	FWD	1332	96	131	01.24-	■
Blue dCi 95 (KJAB)	not elec.brak.detent, not heavy duty chas.	Diesel	FWD	1461	70	95	01.24-	■
KANGOO III 06.21-					Box Body/MPV (LCVs-N1 Segment)			
1.3 TCe 100 (FJMA)	not elec.brak.detent, not heavy duty chas.	Gasolina	FWD	1332	75	102	06.21-	■
1.3 TCe 130 (FJMB)	not elec.brak.detent, not heavy duty chas.	Gasolina	FWD	1332	96	131	06.21-	■
E-Tech Electric (FJJA)	not elec.brak.detent, not heavy duty chas.	Eléctrico	FWD		90	122	04.22-	■
1.5 Blue dCi 75 (FJAA)	not elec.brak.detent, not heavy duty chas.	Diesel	FWD	1461	55	75	06.21-	■
1.5 Blue dCi 95 (FJAB)	not elec.brak.detent, not heavy duty chas.	Diesel	FWD	1461	70	95	06.21-	■
1.5 Blue dCi 115 (FJAC)	not elec.brak.detent, not heavy duty chas.	Diesel	FWD	1461	85	116	06.21-	■
KANGOO III 07.21-					MPV (LCVs-N1 Segment)			
TCe 100 (KJMA)	not elec.brak.detent, not heavy duty chas.	Gasolina	FWD	1332	75	102	07.21-	■
TCe 130 (KJMB)	not elec.brak.detent, not heavy duty chas.	Gasolina	FWD	1332	96	131	07.21-	■
E-Tech Electric (KJJA)	not elec.brak.detent, not heavy duty chas.	Eléctrico	FWD		90	122	04.22-	■
Blue dCi 75 (KJAA)	not elec.brak.detent, not heavy duty chas.	Diesel	FWD	1461	55	75	07.21-	■
Blue dCi 95 (KJAB)	not elec.brak.detent, not heavy duty chas.	Diesel	FWD	1461	70	95	07.21-	■
Blue dCi 115 (KJAC)	not elec.brak.detent, not heavy duty chas.	Diesel	FWD	1461	85	116	10.21-	■