

LISTA DE APLICACIONES - BUYERS GUIDE

182466-204

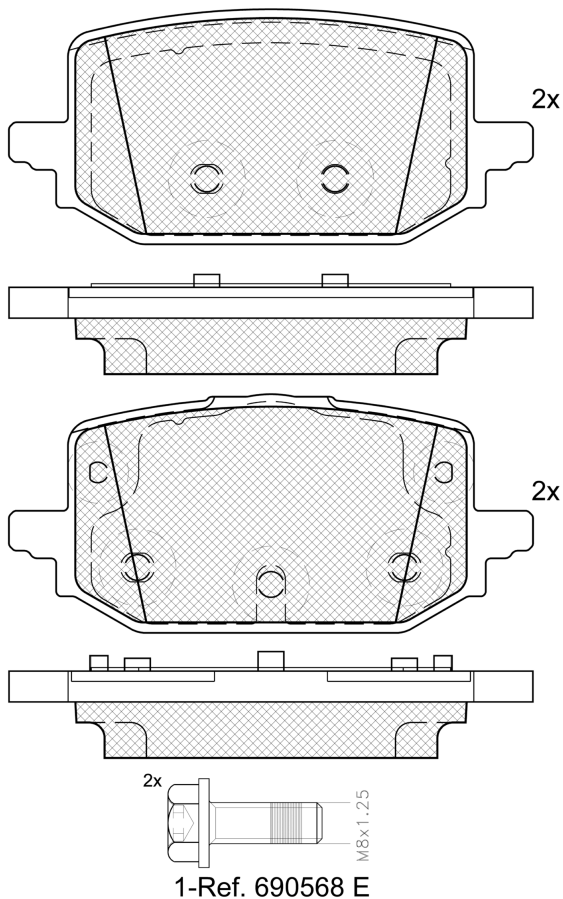


8 424073 292926

Qty: 300

Weight: 1.050

O.E.M.	MAKE
440605358R	RENAULT
440609529R	RENAULT



1-Ref. 690568 E

182466-204

E 9 90R-02A0111/6006



Trw

102.1x45.8x17.6
102.1x46.5x17.6

WVA
26589
27004

MAKE
RENAULT



Trac.	CC	Kw	CV	Hourglass Icon	Front / Rear
-------	----	----	----	----------------	--------------

RENAULT

					MPV (LCVs-N1 Segment)				
GRAND KANGOO III 01.24-									
E-Tech Electric (KJJA)		Eléctrico	FWD		90	122	01.24-		■
Blue dCi 95 (KJAB)		Diesel	FWD	1461	70	95	01.24-		■
KANGOO III 06.21-					Box Body/MPV (LCVs-N1 Segment)				
1.3 TCe 100 (FJMA)		Gasolina	FWD	1332	75	102	06.21-		■
1.3 TCe 130 (FJMB)		Gasolina	FWD	1332	96	131	06.21-		■
E-Tech Electric (FJJA)		Eléctrico	FWD		90	122	04.22-		■
1.5 Blue dCi 75 (FJAA)		Diesel	FWD	1461	55	75	06.21-		■
1.5 Blue dCi 95 (FJAB)		Diesel	FWD	1461	70	95	06.21-		■
1.5 Blue dCi 115 (FJAC)		Diesel	FWD	1461	85	116	06.21-		■
KANGOO III 07.21-					MPV (LCVs-N1 Segment)				
TCe 100 (KJMA)		Gasolina	FWD	1332	75	102	07.21-		■
TCe 130 (KJMB)		Gasolina	FWD	1332	96	131	07.21-		■
E-Tech Electric (KJJA)		Eléctrico	FWD		90	122	04.22-		■
Blue dCi 75 (KJAA)		Diesel	FWD	1461	55	75	07.21-		■
Blue dCi 95 (KJAB)		Diesel	FWD	1461	70	95	07.21-		■
Blue dCi 115 (KJAC)		Diesel	FWD	1461	85	116	10.21-		■