

LISTA DE APLICACIONES - BUYERS GUIDE

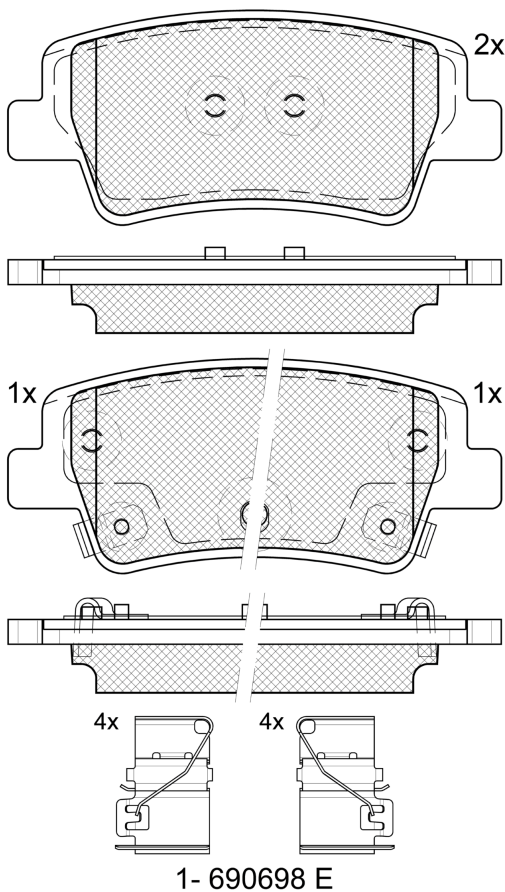
182471



Qty: 300

Weight: 820

O.E.M.	MAKE
58302-AAA30	HYUNDAI
58302-C0A30	HYUNDAI
58302-COA30	HYUNDAI



182471

E 9 90R-02A0111/5831



99.7x43.4x15.5

WVA	FMSI
26642	D2395-9623
26643	
26644	
MAKE	
HYUNDAI	
HYUNDAI (BEIJING)	



Trac.	CC	Kw	CV		Front / Rear
-------	----	----	----	--	--------------

HYUNDAI

ELANTRA VII / AVANTE / i30 (CN7) 03.20-						Saloon (Compact car-C Segment)			
1.6 (G4FM)	Eq.V_ N-Line, not elec.brak.detent	Gasolina	FWD	1598	90	123	03.20-		■
1.6 T-GDI (G4FP)	Eq.V_ N-Line	Gasolina	FWD	1598	150	204	08.20-		■
2.0 (G4NL)	Eq.V_ N-Line, not elec.brak.detent	Gasolina	FWD	1999	110	150	09.20-		■
2.0 (G4NL)	Eq.V_ N-Line	Gasolina	FWD	1999	117	159	08.20-		■
1.6 LPI (G4FG)	Eq.V_ N-Line	Gasol./Gas (LPG)	FWD	1591	88	120	03.20-		■
1.6 T-GDi Hybrid (G4FP)		Gasol./elec.	FWD	1598	104	141	08.20-		■

i20 III (BC3, BI3) 08.20-						Hatchback (Supermini car-B Segment)			
1.0 T-GDI (G3LE)		Gasolina	FWD	998	74	101	08.20-		■
1.2 (G4LF)		Gasolina	FWD	1197	62	84	08.20-		■
1.4 MPI		Gasolina	FWD	1368	74	101	05.21-		■
1.6 T-GDi N		Gasolina	FWD	1598	150	204	11.20-		■
1.0 T-GDI hybrid 48V (G3LE)		Gasol./elec.	FWD	998	74	101	08.20-		■
1.0 T-GDI hybrid 48V (G3LE)		Gasol./elec.	FWD	998	88	120	08.20-		■

HYUNDAI (BEIJING)

ELANTRA VII (CN) 10.20-						Saloon (Compact car-C Segment)			
240TGDi (G4LD)	Eq.V_ N-Line	Gasolina	FWD	1353	103	140	10.20-		■
1.5 (G4FL)	Eq.V_ N-Line	Gasolina	FWD	1497	85	116	10.20-		■