

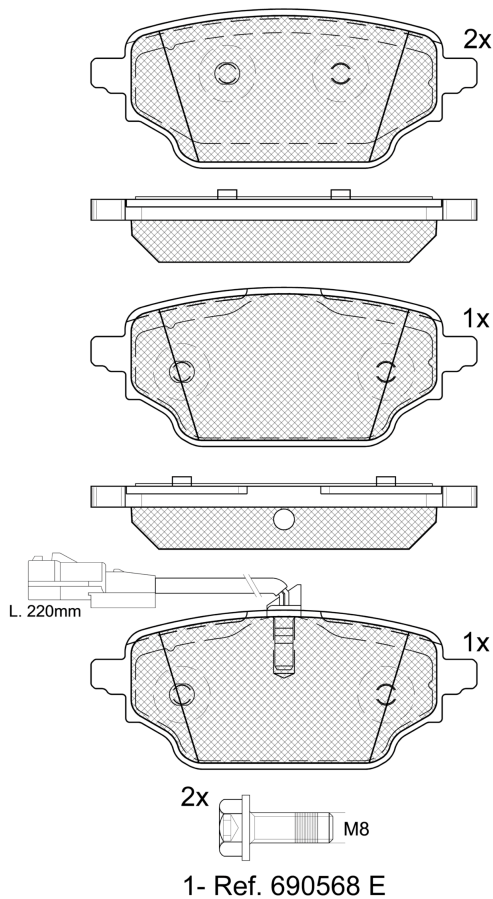
LISTA DE APLICACIONES - BUYERS GUIDE

182474-203



Qty: 300 Weight: 920

O.E.M.	MAKE
420 420 56 00	MERCEDES-BENZ
420 421 25 00	MERCEDES-BENZ



182474-203

E 9 90R-02A0111/5902



ZF Sachs

102.1x42.1x17.3

WVA
26654
26655
26999

MAKE
MERCEDES-BENZ



Trac.	CC	Kw	CV	Front / Rear
-------	----	----	----	--------------

MERCEDES-BENZ							
CITAN II (W420) 09.21-						Box Body/MPV (LCVs-N1 Segment)	
1.3 110 (420.653)		Gasolina	FWD	1332	75	102	09.21-
1.3 113 (420.663, 420.665)		Gasolina	FWD	1332	96	131	09.21-
1.5 108 CDI (420.613)		Diesel	FWD	1461	55	75	09.21-
1.5 110 CDI (420.623, 420.625)		Diesel	FWD	1461	70	95	09.21-
1.5 112 CDI (420.633, 420.635)		Diesel	FWD	1461	85	116	09.21-
CITAN II (W420) 09.21-						MPV (LCVs-N1 Segment)	
110 (420.753)		Gasolina	FWD	1332	75	102	09.21-
113 (420.763, 420.765)		Gasolina	FWD	1332	96	131	09.21-
108 CDI (420.713)		Diesel	FWD	1461	55	75	09.21-
110 CDI (420.723)		Diesel	FWD	1461	70	95	09.21-
112 CDI (420.733)		Diesel	FWD	1461	85	116	09.21-
T-CLASS (W420) 05.22-						MPV (LCVs-N1 Segment)	
T 160 (420.853)	Manual Trans.6-speed	Gasolina	FWD	1332	75	102	05.22-
T 180 (420.863, 420.865)	Manual Trans.6-speed	Gasolina	FWD	1332	96	131	05.22-
T 160 CDI (420.823)	Manual Trans.6-speed	Diesel	FWD	1461	70	95	05.22-
T 180 CDI (420.833)	Manual Trans.6-speed	Diesel	FWD	1461	85	116	05.22-