

LISTA DE APLICACIONES - BUYERS GUIDE

182477

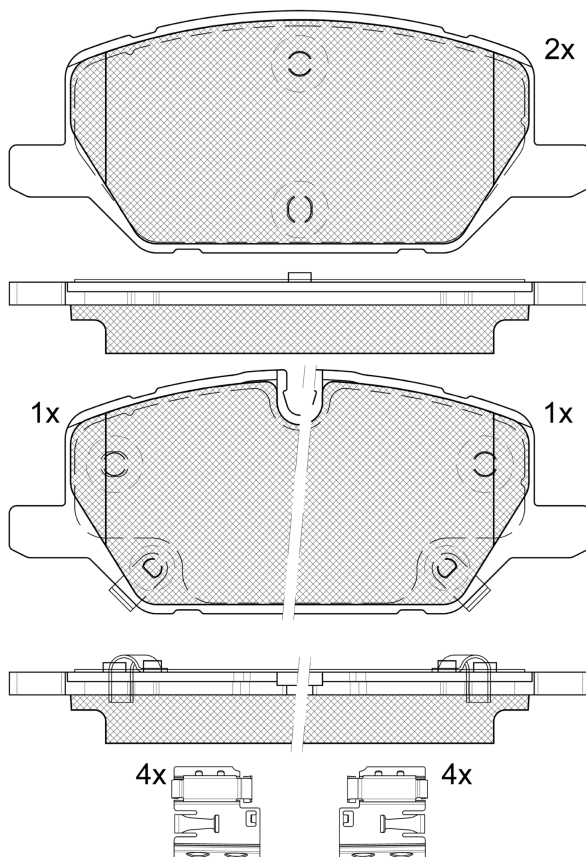


8 424073 289100

Qty: 300

Weight: 2.260

O.E.M.	MAKE
1684934580	VAUXHALL
42794673	OPEL
84 782 067	VAUXHALL
8462 5774	CADILLAC
8478 2067	CADILLAC



1-Ref. 690598 E

182477

E 9 90R-02A0111/5752



Mando

153.7x64.1x19.5
153.7x64.5x19.5

WVA	FMSI
26348	D2314-9612
26349	
26350	

MAKE
OPEL
VAUXHALL



Trac.	CC	Kw	CV



Front / Rear

OPEL

INSIGNIA B Country Tourer (Z18) 06.17-							Estate (Executive car-E Segment)		
1.5 (47) (B 15 SFT)	Rim 17	Gasolina	FWD	1490	121	165	06.17-	■	
1.5 (47) (D 15 SFT)	Rim 17	Gasolina	FWD	1490	121	165	06.17-	■	
1.6 Turbo (47) (D 16 SHT)	Rim 17	Gasolina	FWD	1598	147	200	06.18-	■	
2.0 4x4 (47) (B 20 NFT)	Rim 17	Gasolina	4WD	1998	191	260	06.17-	■	
2.0 4x4 (47) (D 20 NFT)	Rim 17	Gasolina	4WD	1998	191	260	06.17-	■	
2.0 CDTi (47) (D 20 DTH)	Rim 17	Diesel	FWD	1956	125	170	06.17-	■	
2.0 CDTi 4x4 (47) (D 20 DTH)	Rim 17	Diesel	4WD	1956	125	170	06.17-	■	
2.0 BiTurbo Diesel 4x4 (68) (D 20 DTR)	Rim 17	Diesel	4WD	1956	154	210	01.18-	■	
INSIGNIA B Grand Sport (Z18) 03.17-							Hatchback (Executive car-E Segment)		
1.4 Turbo (68) (F 14 SHL)	Rim 17	Gasolina	FWD	1342	107	145	04.20-	■	
1.4 Turbo (68) (F 14 SHT)	Rim 17	Gasolina	FWD	1342	107	145	04.20-	■	
1.5 (68) (B 15 SFL)	Rim 17	Gasolina	FWD	1490	103	140	03.17-	■	
1.5 (68) (D 15 SFL)	Rim 17	Gasolina	FWD	1490	103	140	03.17-	■	
1.5 (68) (B 15 SFT)	Rim 17	Gasolina	FWD	1490	121	165	03.17-	■	
1.5 (68) (D 15 SFT)	Rim 17	Gasolina	FWD	1490	121	165	03.17-	■	
1.6 Turbo (68) (D 16 SHT)	Rim 17	Gasolina	FWD	1598	147	200	06.18-	■	
2.0 Turbo	Rim 17, POC J17,J61	Gasolina	FWD	1998	125	170	08.20-	■	
2.0 (68)	Rim 17	Gasolina	FWD	1998	147	200	04.20-	■	
2.0 GSi 4x4 (68)	Rim 17	Gasolina	4WD	1998	169	230	04.20-	■	
2.0 4x4 (68) (B 20 NFT)	Rim 17	Gasolina	4WD	1998	191	260	03.17-	■	
2.0 4x4 (68) (D 20 NFT)	Rim 17	Gasolina	4WD	1998	191	260	03.17-	■	
1.5 CDTi (68) (F 15 DVH)	Rim 17	Diesel	FWD	1496	90	122	02.20-	■	

LISTA DE APLICACIONES - BUYERS GUIDE

1.6 CDTi (68) (B 16 DTE)	Rim 17	Diesel	FWD	1598	81	110	03.17-	■	
1.6 CDTi (68) (D 16 DTE)	Rim 17	Diesel	FWD	1598	81	110	03.17-	■	
1.6 CDTi (68) (D 16 DTN)	Rim 17	Diesel	FWD	1598	81	110	03.17-	■	
1.6 CDTi (68) (B 16 DTH)	Rim 17	Diesel	FWD	1598	100	136	03.17-	■	
1.6 CDTi (68) (D 16 DTH)	Rim 17	Diesel	FWD	1598	100	136	03.17-	■	
2.0 CDTI (68) (B 20 DTH)	Rim 17	Diesel	FWD	1956	125	170	03.17-	■	
2.0 CDTI (68) (D 20 DTH)	Rim 17	Diesel	FWD	1956	125	170	03.17-	■	
2.0 CDTI 4x4 (68) (D 20 DTH)	Rim 17	Diesel	4WD	1956	125	170	03.17-	■	
2.0 CDTI (68)	Rim 17	Diesel	FWD	1956	128	174	04.20-	■	
2.0 CDTI 4x4 (68)	Rim 17	Diesel	4WD	1956	128	174	04.20-	■	
2.0 BiTurbo Diesel 4x4 (68) (D 20 DTR)	Rim 17	Diesel	4WD	1956	154	210	03.17-	■	
2.0 CDTi	Rim 17, POC J17,J61	Diesel	FWD	1995	128	174	04.21-	■	
2.0 CDTI 4x4	Rim 17, POC J17,J61	Diesel	4WD	1995	128	174	04.21-	■	
INSIGNIA B Sports Tourer (Z18) 03.17-					Estate (Executive car-E Segment)				
1.5 (35) (B 15 SFL)	Rim 17	Gasolina	FWD	1490	103	140	03.17-	■	
1.5 (35) (D 15 SFL)	Rim 17	Gasolina	FWD	1490	103	140	03.17-	■	
1.5 (35) (B 15 SFT)	Rim 17	Gasolina	FWD	1490	121	165	03.17-	■	
1.5 (35) (D 15 SFT)	Rim 17	Gasolina	FWD	1490	121	165	03.17-	■	
1.6 Turbo (35) (D 16 SHT)	Rim 17	Gasolina	FWD	1598	147	200	06.18-	■	
2.0 (35)	Rim 17	Gasolina	FWD	1998	125	170	11.20-	■	
2.0 (35)	Rim 17	Gasolina	FWD	1998	147	200	04.20-	■	
2.0 4x4 (35)	Rim 17	Gasolina	4WD	1998	169	230	04.20-	■	
2.0 4x4 (35) (B 20 NFT)	Rim 17	Gasolina	4WD	1998	191	260	03.17-	■	
2.0 4x4 (35) (D 20 NFT)	Rim 17	Gasolina	4WD	1998	191	260	03.17-	■	
1.5 CDTi (35) (F 15 DVH)	Rim 17	Diesel	FWD	1496	90	122	02.20-	■	
1.6 CDTi (35) (B 16 DTE)	Rim 17	Diesel	FWD	1598	81	110	03.17-	■	
1.6 CDTi (35) (D 16 DTE)	Rim 17	Diesel	FWD	1598	81	110	03.17-	■	
1.6 CDTi (35) (D 16 DTN)	Rim 17	Diesel	FWD	1598	81	110	03.17-	■	
1.6 CDTi (35) (B 16 DTH)	Rim 17	Diesel	FWD	1598	100	136	03.17-	■	
1.6 CDTi (35) (D 16 DTH)	Rim 17	Diesel	FWD	1598	100	136	03.17-	■	
2.0 CDTI (35) (B 20 DTH)	Rim 17	Diesel	FWD	1956	125	170	03.17-	■	
2.0 CDTI (35) (D 20 DTH)	Rim 17	Diesel	FWD	1956	125	170	03.17-	■	
2.0 CDTI 4x4 (35) (D 20 DTH)	Rim 17	Diesel	4WD	1956	125	170	03.17-	■	
2.0 BiTurbo Diesel 4x4 (68) (D 20 DTR)	Rim 17	Diesel	4WD	1956	154	210	03.17-	■	
2.0 CDTI 4x4 (35)	Rim 17	Diesel	4WD	1956	154	210	04.20-	■	
2.0 CDTI (35)	Rim 17	Diesel	FWD	1995	128	174	04.20-	■	
2.0 CDTI 4x4 (35)	Rim 17	Diesel	4WD	1995	128	174	11.20-	■	
INSIGNIA B Sports Tourer Combi Van (Z18) 03.17-					Estate Van (Executive car-E Segment)				
CDTi ECOTEC (B 16 DTH)	Rim 17	Diesel	FWD	1598	100	136	03.17-	■	
CDTi ECOTEC (D 16 DTH)	Rim 17	Diesel	FWD	1598	100	136	03.17-	■	
VAUXHALL									
INSIGNIA Mk II (B) (Z18) 03.17-					Hatchback (Executive car-E Segment)				
1.5 (68) (B 15 SFL)	Rim 17	Gasolina	FWD	1490	103	140	03.17-	■	
1.5 (68) (D 15 SFL)	Rim 17	Gasolina	FWD	1490	103	140	03.17-	■	
1.5 (68) (B 15 SFT)	Rim 17	Gasolina	FWD	1490	121	165	03.17-	■	
1.5 (68) (D 15 SFT)	Rim 17	Gasolina	FWD	1490	121	165	03.17-	■	
1.6 Turbo (68) (D 16 SHT)	Rim 17	Gasolina	FWD	1598	147	200	06.18-	■	
2.0 T	Rim 17	Gasolina	FWD	1998	147	200	04.20-	■	
1.5 CDTi (F 15 DVH)	Rim 17, POC J17,J61	Diesel	FWD	1496	90	122	02.20-	■	
1.6 D (68) (B 16 DTE)	Rim 17	Diesel	FWD	1598	81	110	03.17-	■	

LISTA DE APLICACIONES - BUYERS GUIDE

1.6 D (68) (D 16 DTE)	Rim 17	Diesel	FWD	1598	81	110	03.17-	■	
1.6 D (68) (D 16 DTN)	Rim 17	Diesel	FWD	1598	81	110	03.17-	■	
1.6 D (68) (B 16 DTH)	Rim 17	Diesel	FWD	1598	100	136	03.17-	■	
1.6 D (68) (D 16 DTH)	Rim 17	Diesel	FWD	1598	100	136	03.17-	■	
2.0 D (68) (B 20 DTH)	Rim 17	Diesel	FWD	1956	125	170	03.17-	■	
2.0 D (68) (D 20 DTH)	Rim 17	Diesel	FWD	1956	125	170	03.17-	■	
2.0 D (68)	Rim 17	Diesel	FWD	1995	128	174	02.20-	■	
2.0 D 4x4 (68)	Rim 17	Diesel	4WD	1995	128	174	02.20-	■	
INSIGNIA Mk II (B) Country Tourer (Z18) 03.17-							Estate (Executive car-E Segment)		
2.0 D (47) (D 20 DTH)	Rim 17	Diesel	FWD	1956	125	170	03.17-	■	
2.0 D 4x4 (47) (B 20 DTH)	Rim 17	Diesel	4WD	1956	125	170	09.17-	■	
2.0 D 4x4 (47) (D 20 DTH)	Rim 17	Diesel	4WD	1956	125	170	09.17-	■	
2.0 GSi 4x4 (47) (D 20 DTR)	Rim 17	Diesel	4WD	1956	154	209	07.17-	■	
INSIGNIA Mk II (B) Sports Tourer (Z18) 03.17-							Estate (Executive car-E Segment)		
1.5 (35) (B 15 SFL)	Rim 17	Gasolina	FWD	1490	103	140	03.17-	■	
1.5 (35) (D 15 SFL)	Rim 17	Gasolina	FWD	1490	103	140	03.17-	■	
1.5 (35) (B 15 SFT)	Rim 17	Gasolina	FWD	1490	121	165	03.17-	■	
1.5 (35) (D 15 SFT)	Rim 17	Gasolina	FWD	1490	121	165	03.17-	■	
1.6 Turbo (35) (D 16 SHT)	Rim 17	Gasolina	FWD	1598	147	200	06.18-	■	
1.6 D (35) (B 16 DTE)	Rim 17	Diesel	FWD	1598	81	110	03.17-	■	
1.6 D (35) (D 16 DTE)	Rim 17	Diesel	FWD	1598	81	110	03.17-	■	
1.6 D (35) (D 16 DTN)	Rim 17	Diesel	FWD	1598	81	110	03.17-	■	
1.6 D (35) (B 16 DTH)	Rim 17	Diesel	FWD	1598	100	136	03.17-	■	
1.6 D (35) (D 16 DTH)	Rim 17	Diesel	FWD	1598	100	136	03.17-	■	
2.0 D (35) (B 20 DTH)	Rim 17	Diesel	FWD	1956	125	170	03.17-	■	
2.0 D (35) (D 20 DTH)	Rim 17	Diesel	FWD	1956	125	170	03.17-	■	