

LISTA DE APLICACIONES - BUYERS GUIDE

182496

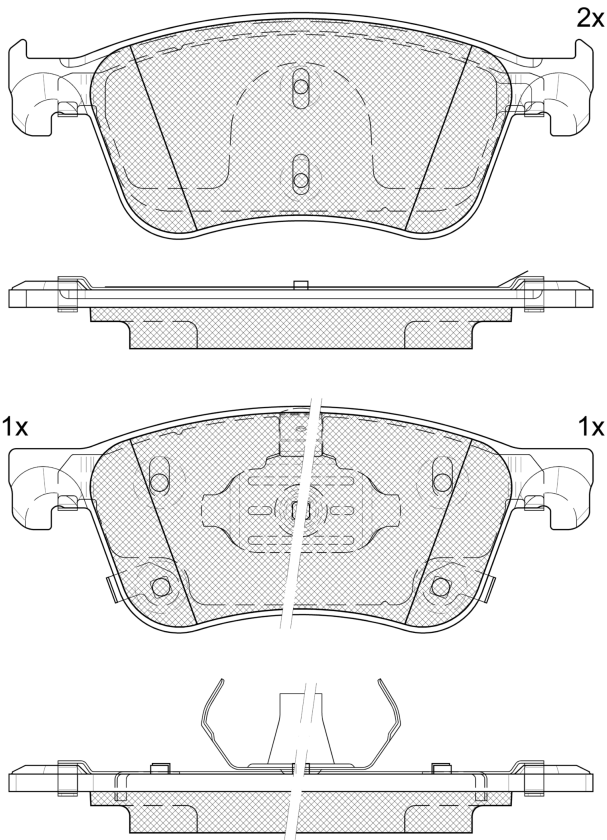


8 424073 292223

Qty: 300

Weight: 2.000

| O.E.M. | MAKE |
|------------|---------|
| 410600425R | RENAULT |
| 410600995R | RENAULT |
| 410A10803R | RENAULT |
| 410A13659R | RENAULT |
| D10606RD0B | NISSAN |



182496

E 9 90R-02A0111/5967



Ate - Teves

167.2x64.9x17.5

| WVA |
|-------|
| 26835 |
| 26836 |
| 26837 |

| MAKE |
|---------|
| NISSAN |
| RENAULT |



| Trac. | CC | Kw | CV | Hourglass icon | Front / Rear |
|-------|----|----|----|----------------|--------------|
| | | | | | |

NISSAN

| ROGUE III (T33) 06.20- | | | | | | Closed Off-Road Vehicle (Compact SUV-J Segment) | | |
|--------------------------|--|---------------|-----|------|-----|---|--------|---|
| 2.5 (PR25DD) | | Gasolina | 4WD | 2488 | 135 | 184 | 09.20- | ■ |
| 2.5 (PR25DD) | | Gasolina | FWD | 2488 | 135 | 184 | 09.20- | ■ |
| X-TRAIL IV (T33) 09.22- | | | | | | SUV (Compact SUV-J Segment) | | |
| 2.5 | | Gasolina | 4WD | 2488 | 126 | 171 | 02.21- | ■ |
| 2.5 AWD | | Gasolina | 4WD | 2488 | 135 | 184 | 04.23- | ■ |
| 1.5 VC-T Mild Hybrid | | Gasol./el éc. | FWD | 1498 | 120 | 163 | 09.22- | ■ |
| 1.5 VC-T e-Power | | Gasol./el éc. | FWD | 1498 | 150 | 204 | 09.22- | ■ |
| 1.5 VC-T e-Power e-4ORCE | | Gasol./el éc. | 4WD | 1498 | 157 | 213 | 09.22- | ■ |

RENAULT

| AUSTRAL 07.22- | | | | | | SUV (Compact Crossover SUV-C Segment) | | |
|--------------------------|----------------------|---------------|-----|------|-----|---------------------------------------|--------|---|
| E-TECH 200 Hybrid (HGM2) | not 4 wheel steering | Gasol./el éc. | FWD | 1199 | 146 | 199 | 10.22- | ■ |
| ESPACE VI (RHN) 05.23- | | | | | | SUV (Large MPV-M1 Segment) | | |
| E-TECH 200 Hybrid | | Gasol./el éc. | FWD | 1199 | 146 | 199 | 05.23- | ■ |
| MEGANE E-TECH 11.21- | | | | | | SUV (Small family car) | | |
| EV40 (BNJ2) | | Eléctrico | FWD | | 96 | 131 | 11.21- | ■ |
| EV60 (BNJ1) | | Eléctrico | FWD | | 160 | 218 | 11.21- | ■ |