

LISTA DE APLICACIONES - BUYERS GUIDE

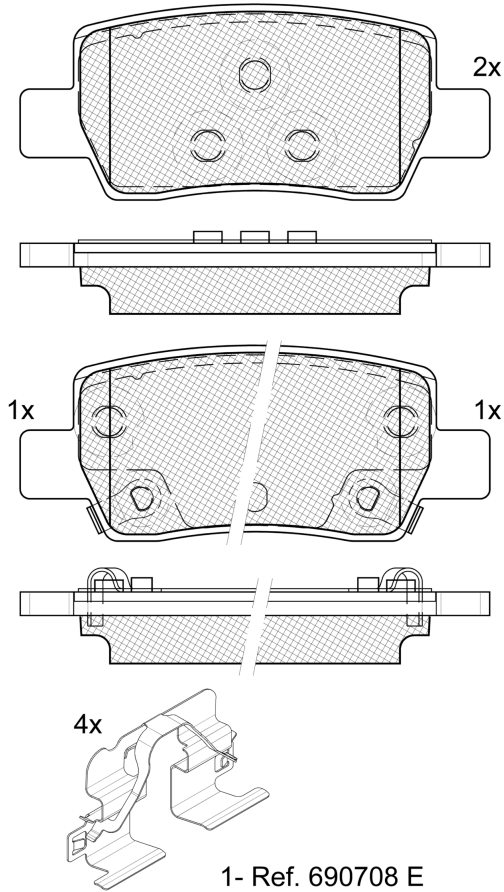
182505



Qty: 300

Weight: 810

O.E.M.	MAKE
58302-BEA00	HYUNDAI
58302-BEA05	HYUNDAI



182505

E 9 90R-02A0111/5959



Mobis

99.8x41.6x15.7

WVA	FMSI
26520	D2524-9631
27014	
27015	
MAKE	
HYUNDAI	



Trac.	CC	Kw	CV
-------	----	----	----



Front / Rear

HYUNDAI

KONA (SX2) 04.23-

SUV (Subcompact SUV-B Segment)

Model	Engine	Trac.	CC	Kw	CV	Year	Position
1.0 T-GDI	Gasolina	FWD	998	88	120	04.23-	■
1.6 T-GDI	Gasolina	FWD	1598	102	139	09.24-	■
1.6 T-GDI	Gasolina	FWD	1598	146	199	04.23-	■
1.6 T-GDi 4WD	Gasolina	4WD	1598	146	199	04.23-	■
1.0 T-GDI hybrid 48V	Gasol./el éc.	FWD	998	88	120	04.23-	■
1.6 GDI Hybrid	Gasol./el éc.	FWD	1580	95	129	04.24-	■
1.6 T-GDi Hybrid	Gasol./el éc.	FWD	1580	104	141	04.23-	■
GDI Hybrid (G4LL)	Gasol./el éc.	FWD	1580	104	141	01.23-	■