

LISTA DE APLICACIONES - BUYERS GUIDE

182514

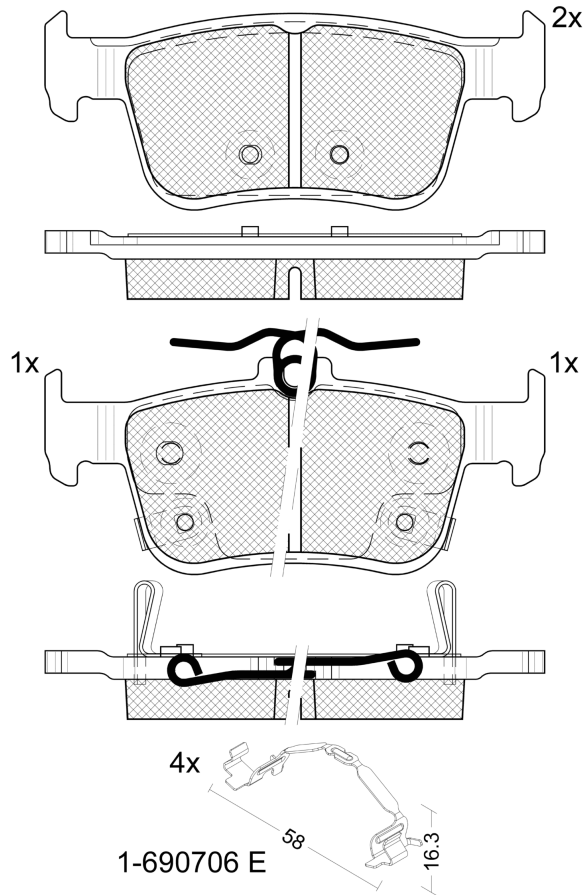


8 424073 293145

Qty: 300

Weight: 1.110

O.E.M.	MAKE
43022T50G01	HONDA
43022T61A01	HONDA



182514

E 9 90R-02A0111/5946



Ate - Teves

122.9x49x16

122.9x53.4x16

WVA

26956

26957

26958

MAKE

HONDA

HONDA (DONGFENG)



Trac.	CC	Kw	CV
-------	----	----	----



Front / Rear

HONDA

CIVIC XI (FL) 01.21-

Hatchback (Compact car-C Segment)

2.0 e:HEV (FL4)	Gasol./el éc.	FWD	1993	135	184	07.22-	■
-----------------	---------------	-----	------	-----	-----	--------	---

HONDA (DONGFENG)

CIVIC XI (FE_) 09.21-

Saloon (Compact car-C Segment)

180TURBO (L15C7)	Gasolina	FWD	1498	95	129	09.21-	■
240TURBO (L15C8)	Gasolina	FWD	1498	134	182	09.21-	■