

LISTA DE APLICACIONES - BUYERS GUIDE

182517

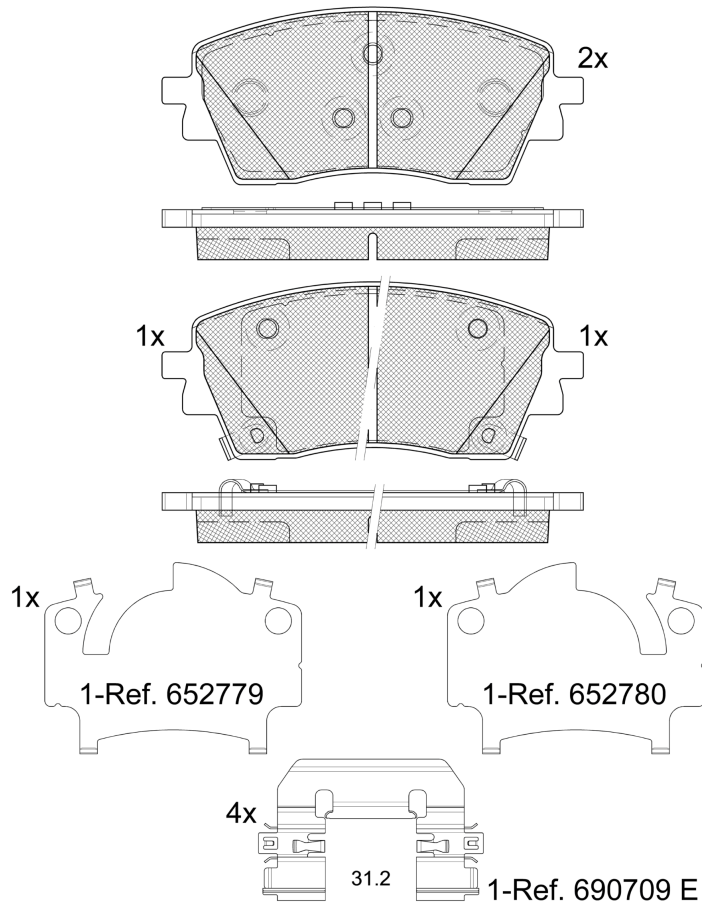


8 424073 293183

Qty: 300

Weight: 2.000

O.E.M.	MAKE
58101-BEA10	HYUNDAI
58101-BEA15	HYUNDAI
58101-DFA15	HYUNDAI



182517

E 9 90R-02A0111/5974



Mando

144.4x60.9x17.8

WVA	FMSI
26985	D2523-9755
26986	
26987	
MAKE	
HYUNDAI	



Trac.	CC	Kw	CV
-------	----	----	----



Front / Rear

HYUNDAI

KONA (SX2) 04.23-

SUV (Subcompact SUV-B Segment)

Model	Rim	Gasolina	Trac.	CC	Kw	CV	Year	Icon
1.0 T-GDI	Rim 16	Gasolina	FWD	998	88	120	04.23-	■
1.6 T-GDI	Rim 16	Gasolina	FWD	1598	102	139	09.24-	■
1.6 T-GDI	Rim 16	Gasolina	FWD	1598	146	199	04.23-	■
1.6 T-GDi 4WD	Rim 16	Gasolina	4WD	1598	146	199	04.23-	■
1.0 T-GDI hibrid 48V	Rim 16	Gasol./el éc.	FWD	998	88	120	04.23-	■
1.6 GDI Hibrid	Rim 16	Gasol./el éc.	FWD	1580	95	129	04.24-	■
1.6 T-GDi Hibrid	Rim 16	Gasol./el éc.	FWD	1580	104	141	04.23-	■
GDI Hibrid (G4LL)	Rim 16	Gasol./el éc.	FWD	1580	104	141	01.23-	■