

LISTA DE APLICACIONES - BUYERS GUIDE

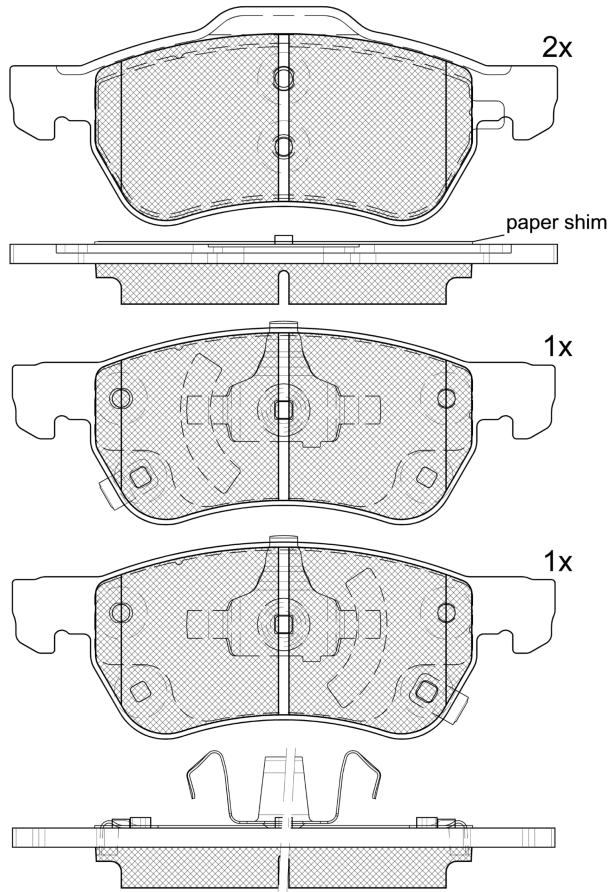
182519



8 424073 293220

Qty: 300

Weight: 1.685



182519

E 9 90R-02A0111/5527



Ate - Teves

155.1x56.3x17.8

156.5x62.6x17.8

O.E.M.	MAKE
10088104	SAIC MOTOR
10197211	MG
10343249	SAIC MOTOR

WVA	FMSI
22409	D2031-9265
22410	
22411	

MAKE
MG
MG (SAIC)
ROEWE (SAIC)



Trac.	CC	Kw	CV
-------	----	----	----



MG									
MG 350 (AP11) 01.11-							Saloon (Compact car-C Segment)		
1.5 (15S4U)		Gasolina	FWD	1498	78	106	01.11-	■	
MG 5 03.12-							Hatchback (Supermini car-B Segment)		
1.5 (15S4U)		Gasolina	FWD	1498	78	106	03.12-	■	
MG ZS SUV (AZS1) 10.17-							SUV (Subcompact SUV-B Segment)		
1.0 T-GDI (10E4E)		Gasolina	FWD	999	82	111	10.17-	■	
1.5 VTi (15S4C)		Gasolina	FWD	1498	78	106	10.17-	■	
1.5 VTi (15S4C)		Gasolina	FWD	1498	84	114	10.17-	■	
1.5 VTi		Gasolina	FWD	1498	88	120	10.18-	■	
MG (SAIC)									
5 03.12-							Hatchback (Supermini car-B Segment)		
1.5 (15S4U)		Gasolina	FWD	1498	79	107	03.12-12.17	■	
1.5		Gasolina	FWD	1498	80	109	03.12-12.17	■	
1.5 (15S4G)		Gasolina	FWD	1498	95	129	03.12-12.17	■	
GT 11.14-							Saloon (Supermini car-B Segment)		
1.4 TGI		Gasolina	FWD	1368	110	150	11.14-	■	
1.5 TCI		Gasolina	FWD	1498	95	129	11.14-12.20	■	
ZS 03.17-							SUV ()		
1.0 T (CSA7101) (10E4E)		Gasolina	FWD	999	92	125	03.17-	■	
ROEWE (SAIC)									

LISTA DE APLICACIONES - BUYERS GUIDE

350 (350) 04.10-					Saloon (Compact car-C Segment)			
1.5		Gasolina	FWD	1498	80	109	04.10-12.18	■
1.5 T		Gasolina	FWD	1498	95	129	02.13-	■
360 09.15-					Saloon (Compact car-C Segment)			
20 T 1.4		Gasolina	FWD	1399	115	156	09.15-	■
1.5		Gasolina	FWD	1498	80	109	09.15-	■
360 PLUS 11.17-					Saloon (Compact car-C Segment)			
1.5		Gasolina	FWD	1498	85	116	11.17-	■