

# LISTA DE APLICACIONES - BUYERS GUIDE

## 182520

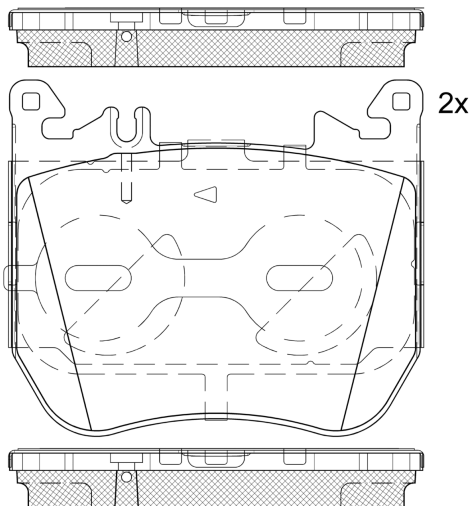
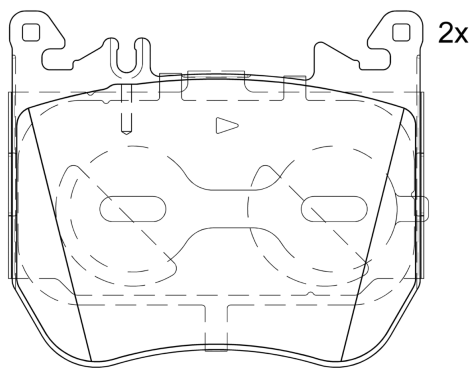


8 424073 293244

Qty: 300

Weight: 3.545

O.E.M.	MAKE
000 420 08 04	MERCEDES-BENZ
000 420 39 03	MERCEDES-BENZ



## 182520

E 9 90R-02A0111/5603



Brembo

131.8x113.2x18.6

**WVA**

26476

**MAKE**

MERCEDES-BENZ



Trac.	CC	Kw	CV
-------	----	----	----



Front / Rear

### MERCEDES-BENZ

S-Class VII (V223) 09.20-						Saloon (Luxury car-F Segment)			
S 680 Maybach 4-matic (223.979)		Gasolina	4WD	5980	450	612	05.21-	■	
S 450 EQ Boost (223.060)	SA U29, sports package	Gasol./el éc.	RWD	2999	270	367	07.21-	■	
S 450 EQ Boost (223.160)		Gasol./el éc.	RWD	2999	270	367	07.21-	■	
S 450 EQ Boost 4-matic (223.161)	M-sport package, sports package, SA U29	Gasol./el éc.	4WD	2999	270	367	10.20-	■	
S 450 EQ Boost 4-matic (223.161) (M 256.930)	M-sport package, sports package, SA U29	Gasol./el éc.	4WD	2999	270	367	10.20-	■	
S 450 EQ Boost 4-matic (223.161)		Gasol./el éc.	4WD	2999	280	381	09.22-	■	
S 450 EQ Boost 4-matic (223.161)		Gasol./el éc.	4WD	2999	280	381	09.22-	■	
S 450 e (223.066)	sports package	Gasol./el éc.	RWD	2999	300	408	05.22-	■	
S 450 e (223.166)	sports package	Gasol./el éc.	RWD	2999	300	408	05.22-	■	
S 500 EQ Boost 4-matic (223.163)	M-sport package, sports package, SA U29	Gasol./el éc.	4WD	2999	320	435	09.20-	■	
S 500 EQ Boost 4-matic (223.163) (M 256.930)	M-sport package, sports package, SA U29	Gasol./el éc.	4WD	2999	320	435	09.20-	■	
S 500 EQ Boost 4-matic (223.163)		Gasol./el éc.	4WD	2999	330	449	09.22-	■	
S 500 EQ Boost 4-matic (223.163)		Gasol./el éc.	4WD	2999	330	449	09.22-	■	
S 580 e 4-matic (223.069)		Gasol./el éc.	4WD	2999	375	510	11.21-	■	
S 580 e 4-matic (223.169) (M 256.930)	sports package, SA U29	Gasol./el éc.	4WD	2999	375	510	07.21-	■	
S 580 4-matic (223.076)	M-sport package	Gasol./el éc.	4WD	3982	370	503	05.21-	■	

## LISTA DE APLICACIONES - BUYERS GUIDE

S 580 4-matic (223.176)	M-sport package, sports package	Gasol./el éc.	4WD	3982	370	503	05.21-	■
S 350 d Mild Hybrid (223.120)		Diesel/el éc.	RWD	2989	230	313	05.23-	■
S 350 d Mild Hybrid (223.120)		Diesel/el éc.	RWD	2989	230	313	06.23-	■
S 350 d Mild Hybrid 4-matic (223.121)		Diesel/el éc.	4WD	2989	230	313	05.23-	■
S 350 d Mild Hybrid 4-matic (223.121)		Diesel/el éc.	4WD	2989	230	313	06.23-	■
S 450 d Mild Hybrid 4-matic (223.123)		Diesel/el éc.	4WD	2989	270	367	05.23-	■
S 450 d Mild Hybrid 4-matic (223.123)		Diesel/el éc.	4WD	2989	270	367	05.23-	■
S 350 d (223.030) (OM 656.929)	M-sport package, sports package, SA U29	Diesel	RWD	2925	210	286	09.20-06.23	■
S 350 d (223.130)	M-sport package, sports package, SA U29	Diesel	RWD	2925	210	286	09.20-	■
S 350 d 4-matic (223.031) (OM 656.929)	M-sport package, sports package, SA U29	Diesel	4WD	2925	210	286	09.20-06.23	■
S 350 d 4-matic (223.131)	M-sport package, sports package, SA U29	Diesel	4WD	2925	210	286	09.20-	■
S 400 d 4-matic (223.033) (OM 656.929)	M-sport package, sports package, SA U29	Diesel	4WD	2925	243	330	09.20-	■
S 400 d 4-matic (223.133)	M-sport package, sports package, SA U29	Diesel	4WD	2925	243	330	09.20-	■