

LISTA DE APLICACIONES - BUYERS GUIDE

182521

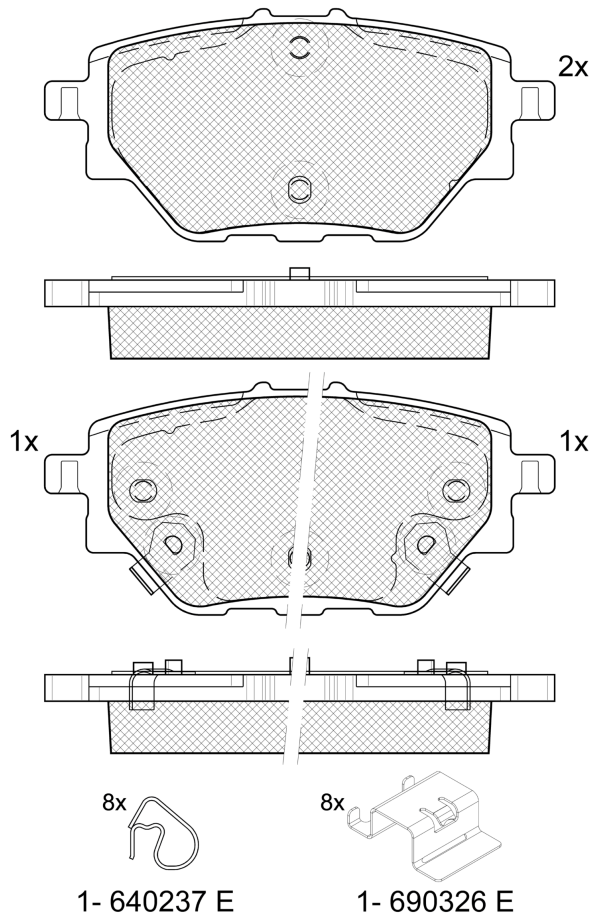


8 424073 293268

Qty: 300

Weight: 1.030

O.E.M.	MAKE
10172328	MG
10332331	MG



182521



90R-02A0111/5576



Chassis Brake Int. (Bosch)

105.9x48.3x17

WVA	FMSI
22259	D2112-9346
22260	
22261	
MAKE	
MG	



Trac.	CC	Kw	CV
-------	----	----	----



Front / Rear

MG

MG GS 05.16-					SUV (Compact SUV-J Segment)			
1.5 (15E4E)	Gasolina	FWD	1490	122	166	05.16-		■
MG HS (AS23) 09.18-					SUV (Compact SUV-J Segment)			
1.5 T (SAS23) (15E4E)	Gasolina	FWD	1490	119	162	09.18-		■
2.0 T AWD (20L4E)	Gasolina	4WD	1995	168	229	07.20-		■
1.5 EHS Hybrid (CSA6463)	Gasol./el éc.	FWD	1490	190	258	12.20-		■
EHS 1,5T GDI Hybrid	Gasol./el éc.	FWD	1490	209	284	01.23-		■