

# LISTA DE APLICACIONES - BUYERS GUIDE

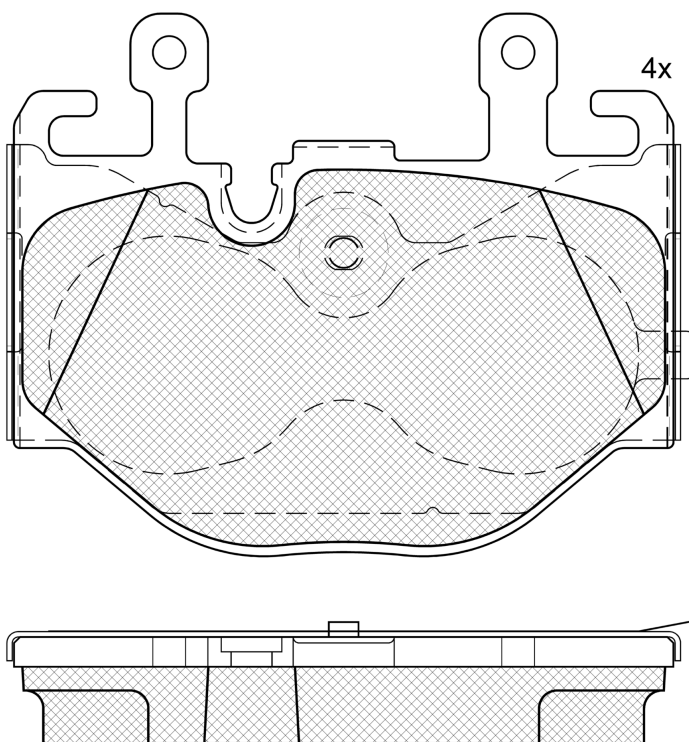
## 182526



Qty: 300

Weight: 2.150

O.E.M.	MAKE
34 10 8 842 380	BMW



## 182526

**E 9** 90R-02A0111/6097



Brembo

113.1x91.3x18.8

WVA	FMSI
27042	D2561-9792
MAKE	
BMW	



Trac.	CC	Kw	CV
-------	----	----	----



Front / Rear

### BMW

#### 5 Serie VIII (G60, G90, G68) 07.23-

#### Saloon (Executive car-E Segment)

Model	Trac.	CC	Kw	CV	Year	Application
520 i Mild-Hybrid 1.6	RWD	1597	140	190	07.24-	■
520 i Mild-Hybrid	RWD	1998	133	181	07.23-	■
520 i Mild-Hybrid	RWD	1998	153	208	07.23-	■
530e Plug-in Hybrid	RWD	1998	220	299	11.23-	■
530e Plug-in Hybrid xDrive	4WD	1998	220	299	07.24-	■
520 d Mild-Hybrid	RWD	1995	128	174	07.23-	■
520 d Mild-Hybrid	RWD	1995	145	197	07.23-	■
520 d xDrive Mild-Hybrid	4WD	1995	145	197	07.23-	■
523 d Mild-Hybrid	RWD	1995	145	197	07.23-	■
523 d Mild-Hybrid xDrive	4WD	1995	145	197	07.23-	■

#### 5 Serie VIII Touring (G61, G99) 03.24-

#### Estate (Executive car-E Segment)

520 i MHEV	RWD	1998	153	208	11.24-	■
530e Plug-in Hybrid	RWD	1998	220	299	07.24-	■
530e xDrive Plug-in Hybrid	4WD	1998	220	299	07.24-	■
520 d Mild-Hybrid	RWD	1995	145	197	03.24-	■
520 d xDrive Mild-Hybrid	4WD	1995	145	197	03.24-	■

# LISTA DE APLICACIONES - BUYERS GUIDE

<b>X3 IV (G45) 08.24-</b>					<b>SUV (Luxury Crossover SUV-J Segment)</b>			
xDrive 20		Gasol./el éc.	4WD	1998	153	208	08.24-	■
xDrive 30 e		Gasol./el éc.	4WD	1998	220	299	10.24-	■
xDrive 20 d		Diesel/el éc.	4WD	1995	145	197	08.24-	■