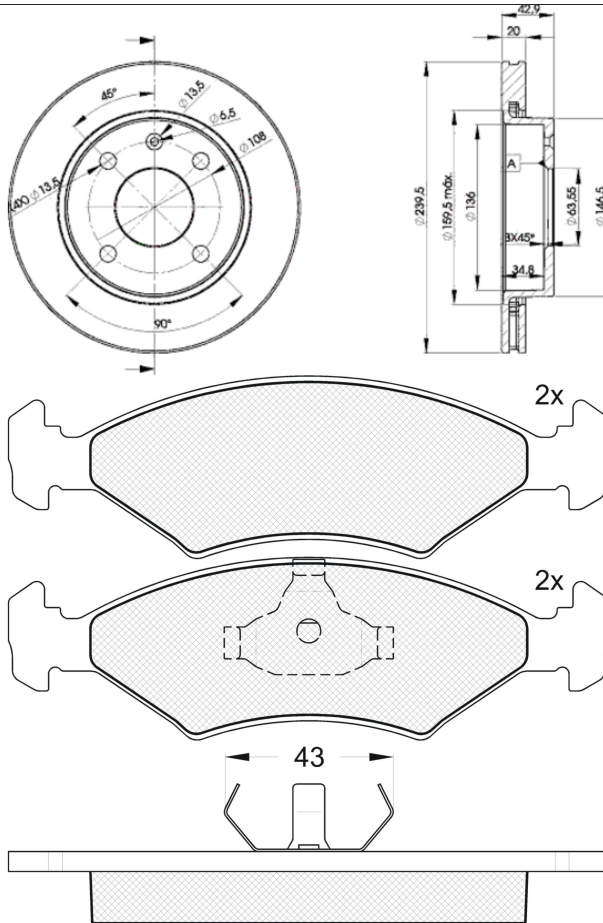


LISTA DE APLICACIONES - BUYERS GUIDE

30329-1064



Weight: 9.720



30329-1064



Ate - Teves

151.3x46.1x18
Ø239.5x20x43

WVA
20640

MAKE
FORD



Trac.	CC	Kw	CV
-------	----	----	----



Front / Rear

FORD

ESCORT IV / ESCORT '86 Express (AVF) 02.86-07.90

Estate Van (LCVs-N1 Segment)

Model	Year	Fuel	Trac.	CC	Kw	CV	Period	Availability
1.8 D (RTA)	-12/91	Diesel	FWD	1753	44	60	07.88-07.90	■
1.8 D (RTA)	-12/91	Diesel	FWD	1753	44	60	07.88-07.90	■
1.8 D (RTB)	-12/91	Diesel	FWD	1753	44	60	07.88-07.90	■
1.8 D (RTB)	-12/91	Diesel	FWD	1753	44	60	07.88-07.90	■

FIESTA III (GFJ) 01.89-01.97

Hatchback (Supermini car-B Segment)

Model	Year	Fuel	Trac.	CC	Kw	CV	Period	Availability
1.1 (G6A)	-12/91	Gasolina	FWD	1119	37	50	03.89-12.95	■
1.1 (G6A)	-12/91	Gasolina	FWD	1119	37	50	03.89-12.95	■
1.3 (JBC)	-12/91	Gasolina	FWD	1299	44	60	03.89-12.92	■
1.3 (JBC)	-12/91	Gasolina	FWD	1299	44	60	03.89-12.92	■
1.4 (F6E)	-12/91	Gasolina	FWD	1391	52	71	03.89-12.95	■
1.4 (F6E)	-12/91	Gasolina	FWD	1391	52	71	03.89-12.95	■
1.4 Cat	-12/91	Gasolina	FWD	1391	54	73	03.89-12.95	■
1.4 Cat	-12/91	Gasolina	FWD	1391	54	73	03.89-12.95	■
1.4 (F4A)	-12/91	Gasolina	FWD	1392	54	73	03.89-12.95	■
1.4 (F4A)	-12/91	Gasolina	FWD	1392	54	73	03.89-12.95	■
1.4 (FUG)	-12/91	Gasolina	FWD	1392	54	73	03.89-12.95	■
1.4 (FUG)	-12/91	Gasolina	FWD	1392	54	73	03.89-12.95	■
1.4 (FUJ)	-12/91	Gasolina	FWD	1392	54	73	03.89-12.95	■
1.4 (FUJ)	-12/91	Gasolina	FWD	1392	54	73	03.89-12.95	■
1.6 (LUH)	-12/91	Gasolina	FWD	1597	65	88	01.89-01.94	■
1.6 (LUH)	-12/91	Gasolina	FWD	1597	65	88	01.89-01.94	■
1.8 16V (RDB)	-12/91	Gasolina	FWD	1796	77	105	02.92-12.95	■

LISTA DE APLICACIONES - BUYERS GUIDE

1.8 16V (RDB)		Gasolina	FWD	1796	77	105	02.92-12.95	■	
1.8 D (RTC)	-12/91	Diesel	FWD	1753	44	60	03.89-12.95	■	
1.8 D (RTC)	-12/91	Diesel	FWD	1753	44	60	03.89-12.95	■	
1.8 D (RTD)	-12/91	Diesel	FWD	1753	44	60	03.89-12.95	■	
1.8 D (RTD)	-12/91	Diesel	FWD	1753	44	60	03.89-12.95	■	
1.8 D (RTG)	-12/91	Diesel	FWD	1753	44	60	03.89-12.95	■	
1.8 D (RTG)	-12/91	Diesel	FWD	1753	44	60	03.89-12.95	■	
SIERRA (GBC) 08.82-02.87							Hatchback (Large family car-D Segment)		
1.8 (REB)		Gasolina	RWD	1796	66	90	10.84-12.86	■	
1.8 (REB)		Gasolina	RWD	1796	66	90	10.84-12.86	■	
SIERRA II (GBC, GBG) 01.87-03.93							Hatchback (Large family car-D Segment)		
1.8 (R2C)	-12/91	Gasolina	RWD	1769	64	87	05.88-02.93	■	
1.8 (R2C)	-12/91	Gasolina	RWD	1769	64	87	05.88-02.93	■	
1.8 (R6A)	-12/91	Gasolina	RWD	1769	64	87	05.88-02.93	■	
1.8 (R6A)	-12/91	Gasolina	RWD	1769	64	87	05.88-02.93	■	
1.8 (RED)		Gasolina	RWD	1796	59	80	10.87-05.88	■	
1.8 (RED)		Gasolina	RWD	1796	59	80	10.87-05.88	■	
1.8 (REF)		Gasolina	RWD	1796	59	80	10.87-05.88	■	
1.8 (REF)		Gasolina	RWD	1796	59	80	10.87-05.88	■	
1.8 (R2A)		Gasolina	RWD	1796	66	90	01.87-05.88	■	
1.8 (R2A)		Gasolina	RWD	1796	66	90	01.87-05.88	■	
1.8 (RED)		Gasolina	RWD	1796	66	90	01.87-05.88	■	
1.8 (RED)		Gasolina	RWD	1796	66	90	01.87-05.88	■	