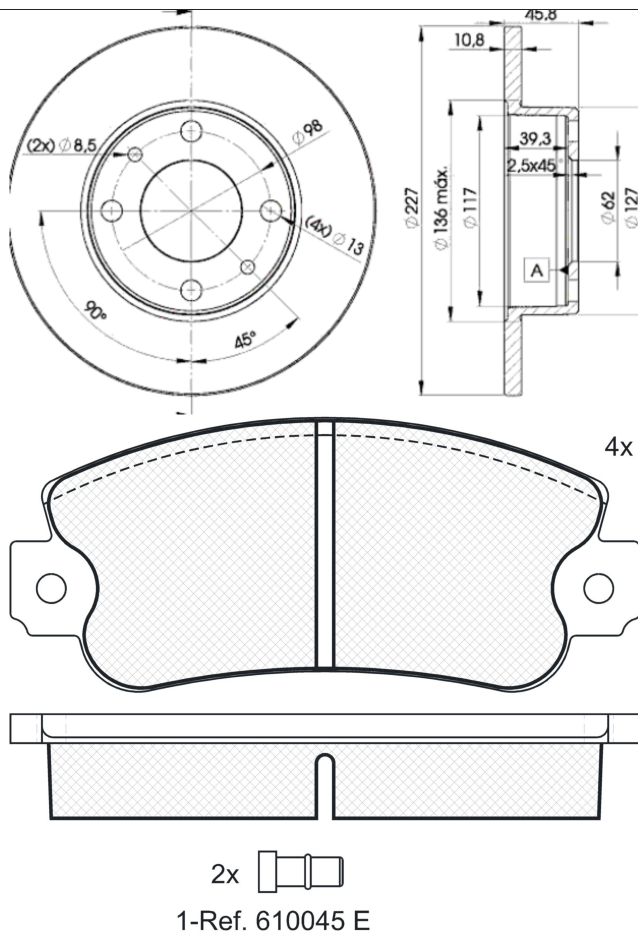


LISTA DE APLICACIONES - BUYERS GUIDE

30418-5812



Weight: 7.775



30418-5812



Bendix

108.8x47.42x18
Ø227x10.8x45.8

WVA
20950
20951
20952
MAKE
FIAT
SEAT



Trac.	CC	Kw	CV
-------	----	----	----



Front / Rear

FIAT

131 (131_) 10.74-03.87

Saloon (Compact car-C Segment)

Model	Year	Engine	Drivetrain	CC	Kw	CV	Period	Application
1.3 Mirafiori (131 A6.000)	01/80-	Gasolina	RWD	1297	40	54	10.74-09.81	■
1.3 Mirafiori (131 A6.000)	01/80-	Gasolina	RWD	1297	40	54	10.74-09.81	■
1.3 Mirafiori (131A) (131 A.000)	01/80-	Gasolina	RWD	1297	48	65	10.74-12.82	■
1.3 Mirafiori (131A) (131 A.000)	01/80-	Gasolina	RWD	1297	48	65	10.74-12.82	■
1.3 Super Mirafiori (131 B.000)		Gasolina	RWD	1297	57	78	03.78-12.80	■
1.3 Super Mirafiori (131 B.000)		Gasolina	RWD	1297	57	78	03.78-12.80	■
1.4 Mirafiori (131 C.000)	01/82-	Gasolina	RWD	1367	51	70	11.80-01.84	■
1.4 Mirafiori (131 C.000)	01/82-	Gasolina	RWD	1367	51	70	11.80-01.84	■
1.4 Mirafiori (131 C1.000)	01/82-	Gasolina	RWD	1367	51	70	11.80-01.84	■
1.4 Mirafiori (131 C1.000)	01/82-	Gasolina	RWD	1367	51	70	11.80-01.84	■
1.4 Super Mirafiori (131 C1.000)	01/82-	Gasolina	RWD	1367	55	75	04.81-12.83	■
1.4 Super Mirafiori (131 C1.000)	01/82-	Gasolina	RWD	1367	55	75	04.81-12.83	■
1.6 (131A1) (131 A1.000)		Gasolina	RWD	1585	55	75	10.74-09.81	■
1.6 (131A1) (131 A1.000)		Gasolina	RWD	1585	55	75	10.74-09.81	■
1.6 (131 C2.000)	01/82-	Gasolina	RWD	1585	63	85	11.76-12.84	■
1.6 (131 C2.000)	01/82-	Gasolina	RWD	1585	63	85	11.76-12.84	■
1.6 Super (131 C3.000)	01/82-	Gasolina	RWD	1585	71	97	03.78-01.84	■
1.6 Super (131 C3.000)	01/82-	Gasolina	RWD	1585	71	97	03.78-01.84	■
1.6 Super Mirafiori (A) (131 B1.000)	01/82-	Gasolina	RWD	1585	72	98	03.79-03.82	■
1.6 Super Mirafiori (A) (131 B1.000)	01/82-	Gasolina	RWD	1585	72	98	03.79-03.82	■
2.0 Super (131 C4.000)	01/82-	Gasolina	RWD	1995	83	113	01.81-12.84	■
2.0 Super (131 C4.000)	01/82-	Gasolina	RWD	1995	83	113	01.81-12.84	■
2.0 Racing (131 B2.000)		Gasolina	RWD	1995	85	115	06.78-12.81	■

LISTA DE APLICACIONES - BUYERS GUIDE

2.0 Racing (131 B2.000)		Gasolina	RWD	1995	85	115	06.78-12.81	■
2.0 D (8144.65)	01/82-	Diesel	RWD	1995	44	60	03.78-03.87	■
2.0 D (8144.65)	01/82-	Diesel	RWD	1995	44	60	03.78-03.87	■
2.5 D (8144.61)	01/82-	Diesel	RWD	2445	53	72	06.78-02.84	■
2.5 D (8144.61)	01/82-	Diesel	RWD	2445	53	72	06.78-02.84	■
131 Familiare/Panorama (131_) 03.75-12.84				Estate (Compact car-C Segment)				
1.3 Mirafiori (131AF) (131 A6.000)		Gasolina	RWD	1297	40	54	03.75-12.78	■
1.3 Mirafiori (131AF) (131 A6.000)		Gasolina	RWD	1297	40	54	03.75-12.78	■
1.3 Mirafiori (AF) (131 A.000)	01/80-	Gasolina	RWD	1297	48	65	03.75-03.82	■
1.3 Mirafiori (AF) (131 A.000)	01/80-	Gasolina	RWD	1297	48	65	03.75-03.82	■
1.4 Mirafiori (131 C.000)	01/82-	Gasolina	RWD	1367	51	70	11.81-01.84	■
1.4 Mirafiori (131 C.000)	01/82-	Gasolina	RWD	1367	51	70	11.81-01.84	■
1.4 Mirafiori (131 C1.000)	01/82-	Gasolina	RWD	1367	51	70	11.81-01.84	■
1.4 Mirafiori (131 C1.000)	01/82-	Gasolina	RWD	1367	51	70	11.81-01.84	■
1.6 CL (AF1) (131 A1.000)		Gasolina	RWD	1585	55	75	03.75-12.78	■
1.6 CL (AF1) (131 A1.000)		Gasolina	RWD	1585	55	75	03.75-12.78	■
1.6 (131 C2.000)	01/82-	Gasolina	RWD	1585	63	85	11.80-12.84	■
1.6 (131 C2.000)	01/82-	Gasolina	RWD	1585	63	85	11.80-12.84	■
1.6 Super (131 C3.000)		Gasolina	RWD	1585	72	97	12.79-12.81	■
1.6 Super (131 C3.000)		Gasolina	RWD	1585	72	97	12.79-12.81	■
2.0 Super (131 C4.000)	01/82-	Gasolina	RWD	1995	83	113	01.81-12.84	■
2.0 Super (131 C4.000)	01/82-	Gasolina	RWD	1995	83	113	01.81-12.84	■
2.0 D (8144.65)	01/82-	Diesel	RWD	1995	44	60	07.78-08.84	■
2.0 D (8144.65)	01/82-	Diesel	RWD	1995	44	60	07.78-08.84	■
2.5 Super Diesel (AF) (8144.61)	01/82-	Diesel	RWD	2445	53	72	03.79-12.84	■
2.5 Super Diesel (AF) (8144.61)	01/82-	Diesel	RWD	2445	53	72	03.79-12.84	■
900 T/E Panorama (200_) 01.78-01.86				Bus (Minibus-M2-Segment)				
0.9 (100 GF 000)	01/82-	Gasolina	RWD	903	26	35	01.78-01.86	■
0.9 (100 GF 000)	01/82-	Gasolina	RWD	903	26	35	01.78-01.86	■
900 T/E Pulmino (200_) 01.78-01.86				Bus (Minibus-M2-Segment)				
0.9 (100 GF 000)	01/82-	Gasolina	RWD	903	26	35	01.78-01.86	■
0.9 (100 GF 000)	01/82-	Gasolina	RWD	903	26	35	01.78-01.86	■
PANDA (141_) 03.80-07.04				Hatchback (City car-A Segment)				
950 (A 112 B1.054)		Gasolina	FWD	965	35	48	09.82-08.83	■
950 (A 112 B1.054)		Gasolina	FWD	965	35	48	09.82-08.83	■
950 4x4 (A 112 B1.054)	-12/83	Gasolina	4WD	965	35	48	09.83-12.86	■
950 4x4 (A 112 B1.054)	-12/83	Gasolina	4WD	965	35	48	09.83-12.86	■
REGATA (138_) 09.83-08.95				Saloon (Compact car-C Segment)				
70 1.3 (149 A3.000)		Gasolina	FWD	1301	48	65	09.83-07.89	■
70 1.3 (149 A3.000)		Gasolina	FWD	1301	48	65	09.83-07.89	■
70 1.3 (149 A7.000)		Gasolina	FWD	1301	48	65	09.83-07.89	■
70 1.3 (149 A7.000)		Gasolina	FWD	1301	48	65	09.83-07.89	■
70 1.3 (138 B2.000)		Gasolina	FWD	1301	50	68	09.83-07.86	■
70 1.3 (138 B2.000)		Gasolina	FWD	1301	50	68	09.83-07.86	■
75 1.5 (138 B3.048)	01/84-	Gasolina	FWD	1498	55	75	12.83-07.89	■
75 1.5 (138 B3.048)	01/84-	Gasolina	FWD	1498	55	75	12.83-07.89	■
75 1.5 (138 C2.048)	01/84-	Gasolina	FWD	1498	55	75	12.83-07.89	■
75 1.5 (138 C2.048)	01/84-	Gasolina	FWD	1498	55	75	12.83-07.89	■
75 1.5 (138 C3.048)	01/84-	Gasolina	FWD	1498	55	75	12.83-07.89	■
75 1.5 (138 C3.048)	01/84-	Gasolina	FWD	1498	55	75	12.83-07.89	■

LISTA DE APLICACIONES - BUYERS GUIDE

75 1.5 (149 C1.000)	01/84-	Gasolina	FWD	1498	55	75	12.83-07.89	■
75 1.5 (149 C1.000)	01/84-	Gasolina	FWD	1498	55	75	12.83-07.89	■
75 i.e. 1.5		Gasolina	FWD	1498	55	75	07.85-07.89	■
75 i.e. 1.5		Gasolina	FWD	1498	55	75	07.85-07.89	■
85 1.5 (149 A5.000)		Gasolina	FWD	1498	58	79	05.85-12.87	■
85 1.5 (149 A5.000)		Gasolina	FWD	1498	58	79	05.85-12.87	■
85 Super 1.5 (138 B3.000)		Gasolina	FWD	1498	60	82	09.83-04.85	■
85 Super 1.5 (138 B3.000)		Gasolina	FWD	1498	60	82	09.83-04.85	■
85 1.5 (138 B3.000)		Gasolina	FWD	1498	63	86	02.84-08.86	■
85 1.5 (138 B3.000)		Gasolina	FWD	1498	63	86	02.84-08.86	■
85 1.6 (149 A.000)	01/84-	Gasolina	FWD	1585	60	82	10.83-06.90	■
85 1.6 (149 A.000)	01/84-	Gasolina	FWD	1585	60	82	10.83-06.90	■
90 i.e. 1.6 (149 C2.000)		Gasolina	FWD	1595	66	90	01.87-07.89	■
90 i.e. 1.6 (149 C2.000)		Gasolina	FWD	1595	66	90	01.87-07.89	■
60 Diesel 1.7 (149 B3.000)		Diesel	FWD	1698	44	60	05.85-03.89	■
60 Diesel 1.7 (149 B3.000)		Diesel	FWD	1698	44	60	05.85-03.89	■
60 Diesel 1.7 (138 B6.000)		Diesel	FWD	1714	43	58	09.83-12.86	■
60 Diesel 1.7 (138 B6.000)		Diesel	FWD	1714	43	58	09.83-12.86	■
REGATA Weekend (138_) 06.83-08.95					Estate (Compact car-C Segment)			
70 1.3 (138 B2.000)		Gasolina	FWD	1301	50	68	01.84-07.89	■
70 1.3 (138 B2.000)		Gasolina	FWD	1301	50	68	01.84-07.89	■
75 1.5 (138 B3.048)		Gasolina	FWD	1498	55	75	09.84-07.89	■
75 1.5 (138 B3.048)		Gasolina	FWD	1498	55	75	09.84-07.89	■
75 1.5 (138 C2.048)		Gasolina	FWD	1498	55	75	09.84-07.89	■
75 1.5 (138 C2.048)		Gasolina	FWD	1498	55	75	09.84-07.89	■
75 1.5 (138 C3.048)		Gasolina	FWD	1498	55	75	09.84-07.89	■
75 1.5 (138 C3.048)		Gasolina	FWD	1498	55	75	09.84-07.89	■
75 1.5 (149 C1.000)		Gasolina	FWD	1498	55	75	09.84-07.89	■
75 1.5 (149 C1.000)		Gasolina	FWD	1498	55	75	09.84-07.89	■
75 1.5 i.e. Cat		Gasolina	FWD	1498	55	75	12.86-07.89	■
75 1.5 i.e. Cat		Gasolina	FWD	1498	55	75	12.86-07.89	■
85 1.5 (138 B3.000)		Gasolina	FWD	1498	60	82	01.84-04.89	■
85 1.5 (138 B3.000)		Gasolina	FWD	1498	60	82	01.84-04.89	■
85 1.5 (138 B3.000)		Gasolina	FWD	1498	63	86	06.83-08.86	■
85 1.5 (138 B3.000)		Gasolina	FWD	1498	63	86	06.83-08.86	■
90 i.e. 1.6 (149 C2.000)		Gasolina	FWD	1595	66	90	01.87-07.89	■
90 i.e. 1.6 (149 C2.000)		Gasolina	FWD	1595	66	90	01.87-07.89	■
60 Diesel 1.7 (149 B3.000)		Diesel	FWD	1698	44	60	01.84-12.89	■
60 Diesel 1.7 (149 B3.000)		Diesel	FWD	1698	44	60	01.84-12.89	■
RITMO II / STRADA II (138A) 10.82-12.88					Hatchback (Compact car-C Segment)			
75 1.5		Gasolina	FWD	1498	55	75	09.85-12.88	■
75 1.5		Gasolina	FWD	1498	55	75	09.85-12.88	■
75 1.5		Gasolina	FWD	1498	55	75	09.85-12.88	■
75 1.5		Gasolina	FWD	1498	55	75	09.85-12.88	■
105 1.6		Gasolina	FWD	1585	77	105	01.83-12.87	■
105 1.6		Gasolina	FWD	1585	77	105	01.83-12.87	■
60 Diesel 1.7		Diesel	RWD	1714	43	58	10.82-10.85	■
60 Diesel 1.7		Diesel	RWD	1714	43	58	10.82-10.85	■
RITMO / STRADA (138_) 01.78-12.88					Hatchback (Compact car-C Segment)			
1.1 (138 B.000)		Gasolina	FWD	1116	40	55	10.82-12.87	■

LISTA DE APLICACIONES - BUYERS GUIDE

1.1 (138 B.000)		Gasolina	FWD	1116	40	55	10.82-12.87	■
1.1 (138 B1.000)		Gasolina	FWD	1116	40	55	10.82-12.87	■
1.1 (138 B1.000)		Gasolina	FWD	1116	40	55	10.82-12.87	■
1.1 (138 C1.000)		Gasolina	FWD	1116	40	55	10.82-12.87	■
1.1 (138 C1.000)		Gasolina	FWD	1116	40	55	10.82-12.87	■
1.1 (146 A4.048)		Gasolina	FWD	1116	43	58	04.85-12.87	■
1.1 (146 A4.048)		Gasolina	FWD	1116	43	58	04.85-12.87	■
1.3		Gasolina	FWD	1301	48	65	11.83-08.85	■
1.3		Gasolina	FWD	1301	48	65	11.83-08.85	■
1.3 (138 B2.000)		Gasolina	FWD	1301	50	68	01.83-04.85	■
1.3 (138 B2.000)		Gasolina	FWD	1301	50	68	01.83-04.85	■
1.5		Gasolina	FWD	1498	55	75	10.85-05.87	■
1.5		Gasolina	FWD	1498	55	75	10.85-05.87	■
1.5 (149 A5.000)		Gasolina	FWD	1498	58	79	08.85-05.87	■
1.5 (149 A5.000)		Gasolina	FWD	1498	58	79	08.85-05.87	■
1.5 (138 B3.000)		Gasolina	FWD	1498	60	82	01.83-12.87	■
1.5 (138 B3.000)		Gasolina	FWD	1498	60	82	01.83-12.87	■
1.6 (138 AR.000)		Gasolina	FWD	1585	66	90	12.85-12.87	■
1.6 (138 AR.000)		Gasolina	FWD	1585	66	90	12.85-12.87	■
1.6 (149 A4.000)		Gasolina	FWD	1585	74	100	01.83-12.87	■
1.6 (149 A4.000)		Gasolina	FWD	1585	74	100	01.83-12.87	■
1.6		Gasolina	FWD	1595	66	90	09.85-12.87	■
1.6		Gasolina	FWD	1595	66	90	09.85-12.87	■
1.7 Diesel (138 C.000)		Diesel	FWD	1698	44	60	05.85-12.87	■
1.7 Diesel (138 C.000)		Diesel	FWD	1698	44	60	05.85-12.87	■
1.7 Diesel (149 B3.000)		Diesel	FWD	1698	44	60	05.85-12.87	■
1.7 Diesel (149 B3.000)		Diesel	FWD	1698	44	60	05.85-12.87	■
1.9 TD (831 D1.000)	01/86-	Diesel	FWD	1929	59	80	12.85-12.87	■
1.9 TD (831 D1.000)	01/86-	Diesel	FWD	1929	59	80	12.85-12.87	■
UNO I-IV (146_, 158_) 01.83-12.13							Hatchback (Supermini car-B Segment)	
0.9		Gasolina	FWD	903	30	41	02.84-08.89	■
0.9		Gasolina	FWD	903	30	41	02.84-08.89	■
45 0.9 (146 A.000)	-12/90	Gasolina	FWD	903	33	45	03.83-09.92	■
45 0.9 (146 A.000)	-12/90	Gasolina	FWD	903	33	45	03.83-09.92	■
45 0.9 (146 A1.000)	-12/90	Gasolina	FWD	903	33	45	03.83-09.92	■
45 0.9 (146 A1.000)	-12/90	Gasolina	FWD	903	33	45	03.83-09.92	■
45 0.9 (146 A.000)		Gasolina	FWD	903	34	46	02.84-12.88	■
45 0.9 (146 A.000)		Gasolina	FWD	903	34	46	02.84-12.88	■
1.0 (146E) (156 A2.000)		Gasolina	FWD	999	31	42	06.89-02.92	■
1.0 (146E) (156 A2.000)		Gasolina	FWD	999	31	42	06.89-02.92	■
45 1.0 (146A.ED) (156 A2.048)		Gasolina	FWD	999	32	44	06.86-12.93	■
45 1.0 (146A.ED) (156 A2.048)		Gasolina	FWD	999	32	44	06.86-12.93	■
45 1.0 (146A.ED) (156 A2.100)		Gasolina	FWD	999	32	44	06.86-12.93	■
45 1.0 (146A.ED) (156 A2.100)		Gasolina	FWD	999	32	44	06.86-12.93	■
45 i.e. 1.0 (146E, 146A) (156 A2.000)	01/87-	Gasolina	FWD	999	33	45	10.84-10.95	■
45 i.e. 1.0 (146E, 146A) (156 A2.000)	01/87-	Gasolina	FWD	999	33	45	10.84-10.95	■
45 i.e. 1.0 (146E, 146A) (156 A2.246)	01/87-	Gasolina	FWD	999	33	45	10.84-10.95	■
45 i.e. 1.0 (146E, 146A) (156 A2.246)	01/87-	Gasolina	FWD	999	33	45	10.84-10.95	■
45 1.0		Gasolina	FWD	999	37	50	06.86-12.93	■
45 1.0		Gasolina	FWD	999	37	50	06.86-12.93	■
50 1.1 (156 C.046)	-12/90	Gasolina	FWD	1108	37	50	01.90-12.93	■

LISTA DE APLICACIONES - BUYERS GUIDE

50 1.1 (156 C.046)	-12/90	Gasolina	FWD	1108	37	50	01.90-12.93	■
50 1.1 (146 A4.044)		Gasolina	FWD	1116	37	50	01.86-12.89	■
50 1.1 (146 A4.044)		Gasolina	FWD	1116	37	50	01.86-12.89	■
55 1.1 (138 B.000)		Gasolina	FWD	1116	40	54	01.83-08.89	■
55 1.1 (138 B.000)		Gasolina	FWD	1116	40	54	01.83-08.89	■
60 1.1 (146A.EG) (146 A4.048)		Gasolina	FWD	1116	43	58	05.85-08.89	■
60 1.1 (146A.EG) (146 A4.048)		Gasolina	FWD	1116	43	58	05.85-08.89	■
70 1.3 (149 A7.000)	-12/85	Gasolina	FWD	1302	48	65	05.85-08.89	■
70 1.3 (149 A7.000)	-12/85	Gasolina	FWD	1302	48	65	05.85-08.89	■
70 1.3 (138 B2.000)		Gasolina	FWD	1302	50	68	01.83-04.85	■
70 1.3 (138 B2.000)		Gasolina	FWD	1302	50	68	01.83-04.85	■
1.4	-12/95	Gasolina	FWD	1372	51	69	07.91-07.96	■
1.4	-12/95	Gasolina	FWD	1372	51	69	07.91-07.96	■
70 i.e. 1.4 (160 A1.046)		Gasolina	FWD	1372	51	70	09.89-07.96	■
70 i.e. 1.4 (160 A1.046)		Gasolina	FWD	1372	51	70	09.89-07.96	■
70 S 1.4 (160 A1.046)		Gasolina	FWD	1372	52	71	10.88-06.06	■
70 S 1.4 (160 A1.046)		Gasolina	FWD	1372	52	71	10.88-06.06	■
70 S 1.4 (160 A1.048)		Gasolina	FWD	1372	52	71	10.88-06.06	■
70 S 1.4 (160 A1.048)		Gasolina	FWD	1372	52	71	10.88-06.06	■
70 i.e. 1.4 (146 C1.000)		Gasolina	FWD	1372	53	72	09.89-12.93	■
70 i.e. 1.4 (146 C1.000)		Gasolina	FWD	1372	53	72	09.89-12.93	■
75 i.e. 1.5 (138 C2.048)	-12/90	Gasolina	FWD	1498	55	75	10.85-12.93	■
75 i.e. 1.5 (138 C2.048)	-12/90	Gasolina	FWD	1498	55	75	10.85-12.93	■
75 i.e. 1.5 (149 C1.000)	-12/90	Gasolina	FWD	1498	55	75	10.85-12.93	■
75 i.e. 1.5 (149 C1.000)	-12/90	Gasolina	FWD	1498	55	75	10.85-12.93	■
1.3 Super Diesel (127 A5.000)	01/84-	Diesel	FWD	1302	33	45	06.83-03.92	■
1.3 Super Diesel (127 A5.000)	01/84-	Diesel	FWD	1302	33	45	06.83-03.92	■
1.3 Super Diesel (146 B1.000)	01/84-	Diesel	FWD	1302	33	45	06.83-03.92	■
1.3 Super Diesel (146 B1.000)	01/84-	Diesel	FWD	1302	33	45	06.83-03.92	■
70 TD 1.4 (146 B.000)		Diesel	FWD	1367	52	71	10.86-10.90	■
70 TD 1.4 (146 B.000)		Diesel	FWD	1367	52	71	10.86-10.90	■
70 TD 1.4 (146 B3.000)		Diesel	FWD	1367	52	71	10.86-10.90	■
70 TD 1.4 (146 B3.000)		Diesel	FWD	1367	52	71	10.86-10.90	■

SEAT

131 (131A) 05.75-12.86							Saloon (Compact car-C Segment)	
1.6 (132 BB OA O)		Gasolina	RWD	1592	71	97	03.82-01.85	■
1.6 (132 BB OA O)		Gasolina	RWD	1592	71	97	03.82-01.85	■
2.0 (131 C4.000)	01/82-	Gasolina	RWD	1994	85	116	06.78-12.85	■
2.0 (131 C4.000)	01/82-	Gasolina	RWD	1994	85	116	06.78-12.85	■
2.4 Diesel (8144.61)	01/82-	Diesel	RWD	2445	53	72	06.78-12.86	■
2.4 Diesel (8144.61)	01/82-	Diesel	RWD	2445	53	72	06.78-12.86	■
IBIZA (21A) 06.84-12.93							Hatchback (Supermini car-B Segment)	
0.9 (09 NCA)		Gasolina	FWD	903	29	40	08.90-05.93	■
0.9 (09 NCA)		Gasolina	FWD	903	29	40	08.90-05.93	■
0.9 (146 A 000)		Gasolina	FWD	903	29	40	08.90-05.93	■
0.9 (146 A 000)		Gasolina	FWD	903	29	40	08.90-05.93	■
0.9 (146 A 000)		Gasolina	FWD	903	32	44	08.86-05.93	■
0.9 (146 A 000)		Gasolina	FWD	903	32	44	08.86-05.93	■
1.2 (021 A 1000)		Gasolina	FWD	1193	44	60	11.84-12.93	■
1.2 (021 A 1000)		Gasolina	FWD	1193	44	60	11.84-12.93	■

LISTA DE APLICACIONES - BUYERS GUIDE

1.2 (021 A 1000)		Gasolina	FWD	1193	46	63	11.84-12.93	■
1.2 (021 A 1000)		Gasolina	FWD	1193	46	63	11.84-12.93	■
1.2 i (021 C.1000)		Gasolina	FWD	1193	52	71	01.89-05.93	■
1.2 i (021 C.1000)		Gasolina	FWD	1193	52	71	01.89-05.93	■
1.5 (021 A 2000)		Gasolina	FWD	1461	63	85	11.84-05.93	■
1.5 (021 A 2000)		Gasolina	FWD	1461	63	85	11.84-05.93	■
1.5		Gasolina	FWD	1461	64	87	10.86-05.93	■
1.5		Gasolina	FWD	1461	64	87	10.86-05.93	■
1.5 i (021 D.2000)		Gasolina	FWD	1461	65	89	10.86-05.93	■
1.5 i (021 D.2000)		Gasolina	FWD	1461	65	89	10.86-05.93	■
1.7 (021 A.3000)		Gasolina	FWD	1675	72	98	01.91-05.93	■
1.7 (021 A.3000)		Gasolina	FWD	1675	72	98	01.91-05.93	■
1.7 D (022 A.5000)		Diesel	FWD	1714	40	54	06.84-05.93	■
1.7 D (022 A.5000)		Diesel	FWD	1714	40	54	06.84-05.93	■
1.7 D (022 A.5000)		Diesel	FWD	1714	42	57	08.90-05.93	■
1.7 D (022 A.5000)		Diesel	FWD	1714	42	57	08.90-05.93	■
MALAGA (23A) 11.84-12.93				Saloon (Compact car-C Segment)				
1.2 (021 A 1000)		Gasolina	FWD	1193	44	60	05.85-12.93	■
1.2 (021 A 1000)		Gasolina	FWD	1193	44	60	05.85-12.93	■
1.2 (021 A 1000)		Gasolina	FWD	1193	47	64	11.84-12.93	■
1.2 (021 A 1000)		Gasolina	FWD	1193	47	64	11.84-12.93	■
1.2 i (021 C.1000)		Gasolina	FWD	1193	52	71	12.89-12.93	■
1.2 i (021 C.1000)		Gasolina	FWD	1193	52	71	12.89-12.93	■
1.5 (021 A 2000)		Gasolina	FWD	1461	63	85	05.85-12.93	■
1.5 (021 A 2000)		Gasolina	FWD	1461	63	85	05.85-12.93	■
1.5 i Cat (021 A 2000)		Gasolina	FWD	1461	66	90	10.86-12.93	■
1.5 i Cat (021 A 2000)		Gasolina	FWD	1461	66	90	10.86-12.93	■
1.5 i Cat (021 C.2000)		Gasolina	FWD	1461	66	90	10.86-12.93	■
1.5 i Cat (021 C.2000)		Gasolina	FWD	1461	66	90	10.86-12.93	■
1.5 i Cat (021 D.2000)		Gasolina	FWD	1461	66	90	10.86-12.93	■
1.5 i Cat (021 D.2000)		Gasolina	FWD	1461	66	90	10.86-12.93	■
1.5 i (021 B.2000)		Gasolina	FWD	1461	74	100	01.87-12.93	■
1.5 i (021 B.2000)		Gasolina	FWD	1461	74	100	01.87-12.93	■
1.7 D (022 A.5000)		Diesel	FWD	1714	40	54	05.85-12.93	■
1.7 D (022 A.5000)		Diesel	FWD	1714	40	54	05.85-12.93	■
1.7 D (022 A.5000)		Diesel	FWD	1714	42	57	05.90-12.93	■
1.7 D (022 A.5000)		Diesel	FWD	1714	42	57	05.90-12.93	■
MARBELLA (028A) 11.86-05.99				Hatchback Van (LCVs-N1 Segment)				
0.8 (08 NCA)		Gasolina	FWD	843	25	34	01.87-12.93	■
0.8 (08 NCA)		Gasolina	FWD	843	25	34	01.87-12.93	■
0.9 (09 NCA)		Gasolina	FWD	903	29	40	01.87-12.93	■
0.9 (09 NCA)		Gasolina	FWD	903	29	40	01.87-12.93	■
0.9 Cat (09 NCB)		Gasolina	FWD	903	29	40	01.87-12.93	■
0.9 Cat (09 NCB)		Gasolina	FWD	903	29	40	01.87-12.93	■
MARBELLA (28A) 08.86-05.99				Hatchback (City car-A Segment)				
0.8 (08 NCA)		Gasolina	FWD	843	25	34	08.86-12.93	■
0.8 (08 NCA)		Gasolina	FWD	843	25	34	08.86-12.93	■
0.9 (09 NCA)		Gasolina	FWD	903	29	40	01.87-12.93	■
0.9 (09 NCA)		Gasolina	FWD	903	29	40	01.87-12.93	■
0.9 (100 GL 7000)		Gasolina	FWD	903	29	40	01.87-12.93	■

LISTA DE APLICACIONES - BUYERS GUIDE

0.9 (100 GL 7000)		Gasolina	FWD	903	29	40	01.87-12.93	■	
0.9 Cat (09 NCB)		Gasolina	FWD	903	29	40	01.90-11.96	■	
0.9 Cat (09 NCB)		Gasolina	FWD	903	29	40	01.90-11.96	■	
0.9 Cat (100 GL 7000)		Gasolina	FWD	903	29	40	01.90-11.96	■	
0.9 Cat (100 GL 7000)		Gasolina	FWD	903	29	40	01.90-11.96	■	
PANDA (141A) 10.80-12.86					Hatchback (City car-A Segment)				
0.9 (100 GL 3000)	01/82-	Gasolina	FWD	903	31	42	10.80-12.86	■	
0.9 (100 GL 3000)	01/82-	Gasolina	FWD	903	31	42	10.80-12.86	■	
RONDA (22A) 06.82-11.88					Hatchback (Compact car-C Segment)				
1.2 (021 A 1000)		Gasolina	FWD	1193	44	60	10.84-12.86	■	
1.2 (021 A 1000)		Gasolina	FWD	1193	44	60	10.84-12.86	■	
1.2 (124 B6.000)		Gasolina	FWD	1197	47	64	08.83-05.85	■	
1.2 (124 B6.000)		Gasolina	FWD	1197	47	64	08.83-05.85	■	
1.4 (124 B7.000)		Gasolina	FWD	1438	54	73	06.82-11.88	■	
1.4 (124 B7.000)		Gasolina	FWD	1438	54	73	06.82-11.88	■	
1.5 (021 A 2000)		Gasolina	FWD	1461	63	85	09.84-12.86	■	
1.5 (021 A 2000)		Gasolina	FWD	1461	63	85	09.84-12.86	■	
1.6 (022 A 000)		Gasolina	FWD	1592	68	92	08.83-09.85	■	
1.6 (022 A 000)		Gasolina	FWD	1592	68	92	08.83-09.85	■	
1.6 (138 AR6.000)		Gasolina	FWD	1592	68	92	08.83-09.85	■	
1.6 (138 AR6.000)		Gasolina	FWD	1592	68	92	08.83-09.85	■	
1.7 Diesel (022 A.5000)		Diesel	FWD	1714	40	54	06.82-12.86	■	
1.7 Diesel (022 A.5000)		Diesel	FWD	1714	40	54	06.82-12.86	■	
1.7 Diesel (022 A.5000)		Diesel	FWD	1714	41	56	06.82-12.86	■	
1.7 Diesel (022 A.5000)		Diesel	FWD	1714	41	56	06.82-12.86	■	
TERRA (024A) 01.87-02.96					Estate Van (City car-A Segment)				
0.9 (09 NCA)		Gasolina	FWD	903	29	40	01.87-12.95	■	
0.9 (09 NCA)		Gasolina	FWD	903	29	40	01.87-12.95	■	
1.3 D (MN)		Diesel	FWD	1272	33	45	03.90-02.92	■	
1.3 D (MN)		Diesel	FWD	1272	33	45	03.90-02.92	■	
1.4 D (1 W)		Diesel	FWD	1398	35	48	10.90-02.92	■	
1.4 D (1 W)		Diesel	FWD	1398	35	48	10.90-02.92	■	
TERRA (24) 01.87-12.96					Estate (City car-A Segment)				
0.9 (09 NCA)	-12/95	Gasolina	FWD	903	29	40	02.87-12.96	■	
0.9 (09 NCA)	-12/95	Gasolina	FWD	903	29	40	02.87-12.96	■	
1.3 D (MN)	-12/92	Diesel	FWD	1272	33	45	03.90-12.94	■	
1.3 D (MN)	-12/92	Diesel	FWD	1272	33	45	03.90-12.94	■	
1.4 D (1 W)		Diesel	FWD	1398	35	48	10.90-12.95	■	
1.4 D (1 W)		Diesel	FWD	1398	35	48	10.90-12.95	■	