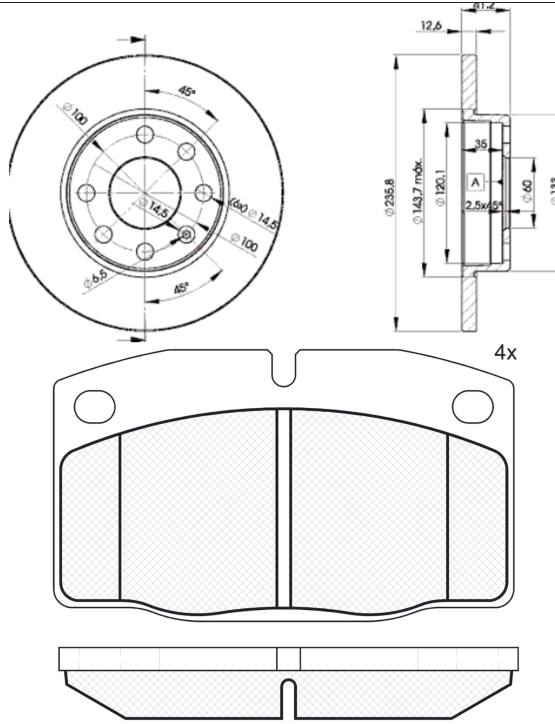


LISTA DE APLICACIONES - BUYERS GUIDE

30454-1240



Weight: 9.330



30454-1240



Delco Moraine

100x59x15.4
Ø236x12.5x41

WVA
20939

MAKE
OPEL
VAUXHALL

180454-066

4x
1-690047 E

180454-072

4x
1-690049 E
4x
1-690047 E

180454-073

4x
1-690049 E
4x
1-690048 E



Trac.	CC	Kw	CV
-------	----	----	----



Front / Rear

OPEL

ASCONA C (J82) 09.81-08.88

Hatchback (Executive car-E Segment)

Model	Gasolina	FWD	CC	Kw	CV	Year Range	Segment
1.3 N (F68, M68) (13 N)	Gasolina	FWD	1297	44	60	09.81-08.86	■
1.3 N (F68, M68) (13 N)	Gasolina	FWD	1297	44	60	09.81-08.86	■
1.3 S (F68, M68) (13 S)	Gasolina	FWD	1297	55	75	09.81-08.88	■
1.3 S (F68, M68) (13 S)	Gasolina	FWD	1297	55	75	09.81-08.88	■
1.6 (F68, M68) (16 N)	Gasolina	FWD	1598	55	75	09.81-08.88	■
1.6 (F68, M68) (16 N)	Gasolina	FWD	1598	55	75	09.81-08.88	■
1.6 i (F68, M68) (E 16 NZ)	Gasolina	FWD	1598	55	75	09.87-08.88	■
1.6 i (F68, M68) (E 16 NZ)	Gasolina	FWD	1598	55	75	09.87-08.88	■
1.6 i Cat (F68, M68) (C 16 LZ)	Gasolina	FWD	1598	55	75	09.86-08.88	■
1.6 i Cat (F68, M68) (C 16 LZ)	Gasolina	FWD	1598	55	75	09.86-08.88	■
1.6 i Cat (F68, M68) (C 16 NZ)	Gasolina	FWD	1598	55	75	09.86-08.88	■
1.6 i Cat (F68, M68) (C 16 NZ)	Gasolina	FWD	1598	55	75	09.86-08.88	■
1.6 (F68, M68) (16 SV)	Gasolina	FWD	1598	60	82	09.86-08.88	■
1.6 (F68, M68) (16 SV)	Gasolina	FWD	1598	60	82	09.86-08.88	■
1.6 S (F68, M68) (16 SH)	Gasolina	FWD	1598	66	90	09.81-08.86	■
1.6 S (F68, M68) (16 SH)	Gasolina	FWD	1598	66	90	09.81-08.86	■
1.8 (F68, M68) (E 18 NV)	Gasolina	FWD	1796	62	84	09.87-08.88	■
1.8 (F68, M68) (E 18 NV)	Gasolina	FWD	1796	62	84	09.87-08.88	■
1.8 E (F68, M68) (C 18 NE)	Gasolina	FWD	1796	74	100	01.85-08.86	■
1.8 E (F68, M68) (C 18 NE)	Gasolina	FWD	1796	74	100	01.85-08.86	■
1.8 E (F68, M68) (S 18 NV)	Gasolina	FWD	1796	74	100	01.85-08.86	■
1.8 E (F68, M68) (S 18 NV)	Gasolina	FWD	1796	74	100	01.85-08.86	■
1.8 i (F68, M68) (18 E)	Gasolina	FWD	1796	85	115	09.82-08.86	■

LISTA DE APLICACIONES - BUYERS GUIDE

1.8 i (F68, M68) (18 E)		Gasolina	FWD	1796	85	115	09.82-08.86	■
1.6 D (F68, M68) (16 D)		Diesel	FWD	1598	40	54	03.82-08.88	■
1.6 D (F68, M68) (16 D)		Diesel	FWD	1598	40	54	03.82-08.88	■
1.6 D (F68, M68) (16 DA)		Diesel	FWD	1598	40	54	03.82-08.88	■
1.6 D (F68, M68) (16 DA)		Diesel	FWD	1598	40	54	03.82-08.88	■
ASCONA C (J82) 09.81-10.88				Saloon (Executive car-E Segment)				
1.3 N (F11, M11, F69) (13 N)		Gasolina	FWD	1297	44	60	09.81-08.86	■
1.3 N (F11, M11, F69) (13 N)		Gasolina	FWD	1297	44	60	09.81-08.86	■
1.3 S (F11, M11, F68, M68) (13 S)		Gasolina	FWD	1297	55	75	09.81-08.88	■
1.3 S (F11, M11, F68, M68) (13 S)		Gasolina	FWD	1297	55	75	09.81-08.88	■
1.6 (F11, M11, F68, M68) (16 N)		Gasolina	FWD	1598	55	75	09.81-09.87	■
1.6 (F11, M11, F68, M68) (16 N)		Gasolina	FWD	1598	55	75	09.81-09.87	■
1.6 i (F11, M11, F68, M68) (E 16 LZ)		Gasolina	FWD	1598	55	75	09.87-08.88	■
1.6 i (F11, M11, F68, M68) (E 16 LZ)		Gasolina	FWD	1598	55	75	09.87-08.88	■
1.6 i (F11, M11, F68, M68) (E 16 NZ)		Gasolina	FWD	1598	55	75	09.87-08.88	■
1.6 i (F11, M11, F68, M68) (E 16 NZ)		Gasolina	FWD	1598	55	75	09.87-08.88	■
1.6 i Cat (F11, M11, F68, M68) (C 16 LZ)		Gasolina	FWD	1598	55	75	09.86-08.88	■
1.6 i Cat (F11, M11, F68, M68) (C 16 LZ)		Gasolina	FWD	1598	55	75	09.86-08.88	■
1.6 i Cat (F11, M11, F68, M68) (C 16 NZ)		Gasolina	FWD	1598	55	75	09.86-08.88	■
1.6 i Cat (F11, M11, F68, M68) (C 16 NZ)		Gasolina	FWD	1598	55	75	09.86-08.88	■
1.6 (F11, F68, M11, M68) (16 SV)		Gasolina	FWD	1598	60	82	09.86-08.88	■
1.6 (F11, F68, M11, M68) (16 SV)		Gasolina	FWD	1598	60	82	09.86-08.88	■
1.6 S (F11, M11, F68, M68) (16 SH)		Gasolina	FWD	1598	66	90	09.81-08.86	■
1.6 S (F11, M11, F68, M68) (16 SH)		Gasolina	FWD	1598	66	90	09.81-08.86	■
1.8 (F11, M11, F68, M68) (E 18 NV)		Gasolina	FWD	1796	62	84	09.87-08.88	■
1.8 (F11, M11, F68, M68) (E 18 NV)		Gasolina	FWD	1796	62	84	09.87-08.88	■
1.8 E (F11, M11, F68, M68) (C 18 NE)		Gasolina	FWD	1796	74	100	01.85-08.86	■
1.8 E (F11, M11, F68, M68) (C 18 NE)		Gasolina	FWD	1796	74	100	01.85-08.86	■
1.8 E (F11, M11, F68, M68) (S 18 NV)		Gasolina	FWD	1796	74	100	01.85-08.86	■
1.8 E (F11, M11, F68, M68) (S 18 NV)		Gasolina	FWD	1796	74	100	01.85-08.86	■
1.8 i (F11, M11, F68, M68) (18 E)		Gasolina	FWD	1796	85	115	09.82-08.86	■
1.8 i (F11, M11, F68, M68) (18 E)		Gasolina	FWD	1796	85	115	09.82-08.86	■
1.6 D (F11, M11, F68, M68) (16 D)		Diesel	FWD	1598	40	54	03.82-08.88	■
1.6 D (F11, M11, F68, M68) (16 D)		Diesel	FWD	1598	40	54	03.82-08.88	■
1.6 D (F11, M11, F68, M68) (16 DA)		Diesel	FWD	1598	40	54	03.82-08.88	■
1.6 D (F11, M11, F68, M68) (16 DA)		Diesel	FWD	1598	40	54	03.82-08.88	■
CORSA A (S83) 02.86-09.94				Hatchback Van (LCVs-N1 Segment)				
1.5 D (F08, W5L) (15 D (4EC1))		Diesel	FWD	1488	37	50	06.87-04.89	■
1.5 D (F08, W5L) (15 D (4EC1))		Diesel	FWD	1488	37	50	06.87-04.89	■
CORSA A (S83) 09.82-03.93				Hatchback (Supermini car-B Segment)				
1.0 (F08, M08, F68, M68) (10 S)	-12/91	Gasolina	FWD	993	33	45	09.82-03.93	■
1.0 (F08, M08, F68, M68) (10 S)	-12/91	Gasolina	FWD	993	33	45	09.82-03.93	■
1.6 GSI (F08, M08, M68, F68) (C 16 NZ)	-12/90	Gasolina	FWD	1598	55	75	08.88-09.92	■
1.6 GSI (F08, M08, M68, F68) (C 16 NZ)	-12/90	Gasolina	FWD	1598	55	75	08.88-09.92	■
1.6 GSI (F08, M08, F68, M68) (C 16 NZ)		Gasolina	FWD	1598	60	82	09.88-08.90	■
1.6 GSI (F08, M08, F68, M68) (C 16 NZ)		Gasolina	FWD	1598	60	82	09.88-08.90	■
1.5 D (F08, M08, F68, M68) (15 D (4EC1))	-12/90	Diesel	FWD	1488	37	50	09.87-03.93	■
1.5 D (F08, M08, F68, M68) (15 D (4EC1))	-12/90	Diesel	FWD	1488	37	50	09.87-03.93	■
1.5 TD (F08, M08, F68, M68) (15 DT (T4EC1))	-12/90	Diesel	FWD	1488	49	67	03.88-03.93	■
1.5 TD (F08, M08, F68, M68) (15 DT (T4EC1))	-12/90	Diesel	FWD	1488	49	67	03.88-03.93	■

LISTA DE APLICACIONES - BUYERS GUIDE

CORSA A (S83) 09.82-03.93						Saloon (Supermini car-B Segment)			
1.0 (F11, M11, F19, M19) (10 S)	-12/91	Gasolina	FWD	993	33	45	09.82-09.92	■	
1.0 (F11, M11, F19, M19) (10 S)	-12/91	Gasolina	FWD	993	33	45	09.82-09.92	■	
1.2 i (F11, M11, F19, M19) (C 12 NZ)	-12/90	Gasolina	FWD	1195	33	45	09.89-03.93	■	
1.2 i (F11, M11, F19, M19) (C 12 NZ)	-12/90	Gasolina	FWD	1195	33	45	09.89-03.93	■	
1.2 S (F11, M11, M19, F19) (12 ST)	-12/90	Gasolina	FWD	1196	40	55	09.82-03.93	■	
1.2 S (F11, M11, M19, F19) (12 ST)	-12/90	Gasolina	FWD	1196	40	55	09.82-03.93	■	
1.5 D (F11, M11, F19, M19) (15 D (4EC1))	-12/90	Diesel	FWD	1488	37	50	10.87-11.92	■	
1.5 D (F11, M11, F19, M19) (15 D (4EC1))	-12/90	Diesel	FWD	1488	37	50	10.87-11.92	■	
1.5 TD (F11, M11, F19, M19) (15 DT (T4EC1))	01/88-	Diesel	FWD	1488	49	67	10.87-03.93	■	
1.5 TD (F11, M11, F19, M19) (15 DT (T4EC1))	01/88-	Diesel	FWD	1488	49	67	10.87-03.93	■	
KADETT D (35_, 36_, 45_, 46_) 08.79-08.84						Estate (Compact car-C Segment)			
1.6		Gasolina	FWD	1598	51	69	09.79-08.84	■	
1.6		Gasolina	FWD	1598	51	69	09.79-08.84	■	
1.6		Gasolina	FWD	1598	55	75	09.79-08.84	■	
1.6		Gasolina	FWD	1598	55	75	09.79-08.84	■	
1.6 S (16 SH)		Gasolina	FWD	1598	66	90	09.81-08.84	■	
1.6 S (16 SH)		Gasolina	FWD	1598	66	90	09.81-08.84	■	
1.6 D (16 D)		Diesel	FWD	1598	40	54	03.82-08.84	■	
1.6 D (16 D)		Diesel	FWD	1598	40	54	03.82-08.84	■	
KADETT D (31_-34_, 41_-44_) 08.79-08.84						Hatchback (Compact car-C Segment)			
1.6		Gasolina	FWD	1598	51	69	09.79-08.84	■	
1.6		Gasolina	FWD	1598	51	69	09.79-08.84	■	
1.6		Gasolina	FWD	1598	55	75	09.79-08.84	■	
1.6		Gasolina	FWD	1598	55	75	09.79-08.84	■	
1.6 S (16 SH)		Gasolina	FWD	1598	66	90	09.81-08.84	■	
1.6 S (16 SH)		Gasolina	FWD	1598	66	90	09.81-08.84	■	
1.6 D (16 D)		Diesel	FWD	1598	40	54	03.82-08.84	■	
1.6 D (16 D)		Diesel	FWD	1598	40	54	03.82-08.84	■	
KADETT E (T85) 10.86-02.93						Convertible (Compact car-C Segment)			
1.3 S (13 S)		Gasolina	FWD	1297	55	75	03.87-02.93	■	
1.3 S (13 S)		Gasolina	FWD	1297	55	75	03.87-02.93	■	
1.4 i (C 14 NZ)		Gasolina	FWD	1389	44	60	01.90-08.91	■	
1.4 i (C 14 NZ)		Gasolina	FWD	1389	44	60	01.90-08.91	■	
1.6 i (E 16 NZ)		Gasolina	FWD	1598	55	75	10.86-02.93	■	
1.6 i (E 16 NZ)		Gasolina	FWD	1598	55	75	10.86-02.93	■	
1.6 i Cat (C 16 LZ)		Gasolina	FWD	1598	55	75	10.87-02.93	■	
1.6 i Cat (C 16 LZ)		Gasolina	FWD	1598	55	75	10.87-02.93	■	
1.6 i Cat (C 16 NZ)		Gasolina	FWD	1598	55	75	10.87-02.93	■	
1.6 i Cat (C 16 NZ)		Gasolina	FWD	1598	55	75	10.87-02.93	■	
1.6 i (16 SV)		Gasolina	FWD	1598	60	82	07.89-02.93	■	
1.6 i (16 SV)		Gasolina	FWD	1598	60	82	07.89-02.93	■	
KADETT E (T85) 08.84-09.93						Estate Van (Compact car-C Segment)			
1.2 (C70, D70) (12 SC)		Gasolina	FWD	1196	40	55	09.84-07.86	■	
1.2 (C70, D70) (12 SC)		Gasolina	FWD	1196	40	55	09.84-07.86	■	
1.3 N (C70, D70) (13 N)	-12/88	Gasolina	FWD	1297	44	60	09.84-07.89	■	
1.3 N (C70, D70) (13 N)	-12/88	Gasolina	FWD	1297	44	60	09.84-07.89	■	
1.3 N (C70, D70) (13 NB)	-12/88	Gasolina	FWD	1297	44	60	09.84-07.89	■	
1.3 N (C70, D70) (13 NB)	-12/88	Gasolina	FWD	1297	44	60	09.84-07.89	■	

LISTA DE APLICACIONES - BUYERS GUIDE

1.4 i (C70, D70) (C 14 NZ)	-12/90	Gasolina	FWD	1389	44	60	01.90-08.91	■
1.4 i (C70, D70) (C 14 NZ)	-12/90	Gasolina	FWD	1389	44	60	01.90-08.91	■
1.6 i (C70, D70) (C 16 NZ)		Gasolina	FWD	1598	55	75	08.89-09.93	■
1.6 i (C70, D70) (C 16 NZ)		Gasolina	FWD	1598	55	75	08.89-09.93	■
1.8 i (C70, D70) (C 18 NT)		Gasolina	FWD	1796	66	90	08.84-09.92	■
1.8 i (C70, D70) (C 18 NT)		Gasolina	FWD	1796	66	90	08.84-09.92	■
1.6 D (C70, D70) (16 D)		Diesel	FWD	1598	40	54	08.84-08.88	■
1.6 D (C70, D70) (16 D)		Diesel	FWD	1598	40	54	08.84-08.88	■
1.6 D (C70, D70) (16 DA)		Diesel	FWD	1598	40	54	08.84-08.88	■
1.6 D (C70, D70) (16 DA)		Diesel	FWD	1598	40	54	08.84-08.88	■
1.7 D (C70, D70) (17 D)		Diesel	FWD	1699	42	57	08.88-09.92	■
1.7 D (C70, D70) (17 D)		Diesel	FWD	1699	42	57	08.88-09.92	■
KADETT E (T85) 01.86-07.94				Estate Van (LCVs-N1 Segment)				
1.3 N (C25, D25) (13 N)		Gasolina	FWD	1297	44	60	01.86-12.89	■
1.3 N (C25, D25) (13 N)		Gasolina	FWD	1297	44	60	01.86-12.89	■
1.3 S (C25, D25) (13 S)		Gasolina	FWD	1297	55	75	01.86-12.89	■
1.3 S (C25, D25) (13 S)		Gasolina	FWD	1297	55	75	01.86-12.89	■
1.4 i (C25, D25) (C 14 NZ)		Gasolina	FWD	1389	44	60	08.91-07.94	■
1.4 i (C25, D25) (C 14 NZ)		Gasolina	FWD	1389	44	60	08.91-07.94	■
1.4 S (C25, D25) (14 NV)		Gasolina	FWD	1389	55	75	07.89-08.91	■
1.4 S (C25, D25) (14 NV)		Gasolina	FWD	1389	55	75	07.89-08.91	■
1.6 i (C25, D25) (C 16 NZ)		Gasolina	FWD	1598	55	75	08.91-07.94	■
1.6 i (C25, D25) (C 16 NZ)		Gasolina	FWD	1598	55	75	08.91-07.94	■
1.6 (C25, D25) (16 SV)		Gasolina	FWD	1598	60	82	09.86-12.91	■
1.6 (C25, D25) (16 SV)		Gasolina	FWD	1598	60	82	09.86-12.91	■
1.6 D (C25, D25) (16 D)		Diesel	FWD	1598	40	54	01.86-12.89	■
1.6 D (C25, D25) (16 D)		Diesel	FWD	1598	40	54	01.86-12.89	■
1.6 D (C25, D25) (16 DA)		Diesel	FWD	1598	40	54	01.86-12.89	■
1.6 D (C25, D25) (16 DA)		Diesel	FWD	1598	40	54	01.86-12.89	■
1.7 D (C25, D25) (17 D)		Diesel	FWD	1699	42	57	01.89-07.94	■
1.7 D (C25, D25) (17 D)		Diesel	FWD	1699	42	57	01.89-07.94	■
1.7 D (C25, D25) (17 DR)		Diesel	FWD	1699	44	60	07.92-07.94	■
1.7 D (C25, D25) (17 DR)		Diesel	FWD	1699	44	60	07.92-07.94	■
KADETT E (T85) 09.84-08.91				Estate (Compact car-C Segment)				
1.2 (C15, C35, D15, D35) (12 SC)		Gasolina	FWD	1196	40	55	09.84-07.86	■
1.2 (C15, C35, D15, D35) (12 SC)		Gasolina	FWD	1196	40	55	09.84-07.86	■
1.3 N (C15, C35, D15, D35) (13 N)	-12/90	Gasolina	FWD	1297	44	60	09.84-08.91	■
1.3 N (C15, C35, D15, D35) (13 N)	-12/90	Gasolina	FWD	1297	44	60	09.84-08.91	■
1.3 S (C15, C35, D15, D35) (13 S)	-12/86	Gasolina	FWD	1297	55	75	09.84-08.87	■
1.3 S (C15, C35, D15, D35) (13 S)	-12/86	Gasolina	FWD	1297	55	75	09.84-08.87	■
1.4 i (C15, C35, D15, D35) (C 14 NZ)	-12/90	Gasolina	FWD	1389	44	60	01.90-08.91	■
1.4 i (C15, C35, D15, D35) (C 14 NZ)	-12/90	Gasolina	FWD	1389	44	60	01.90-08.91	■
1.4 S (C15, C35, D15, D35) (14 NV)	-12/90	Gasolina	FWD	1389	55	75	01.90-08.91	■
1.4 S (C15, C35, D15, D35) (14 NV)	-12/90	Gasolina	FWD	1389	55	75	01.90-08.91	■
1.6 i (C15, C35, D15, D35) (E 16 NZ)		Gasolina	FWD	1598	55	75	09.86-08.91	■
1.6 i (C15, C35, D15, D35) (E 16 NZ)		Gasolina	FWD	1598	55	75	09.86-08.91	■
1.6 i Cat (C15, C35, D15, D35) (C 16 LZ)		Gasolina	FWD	1598	55	75	09.86-08.91	■
1.6 i Cat (C15, C35, D15, D35) (C 16 LZ)		Gasolina	FWD	1598	55	75	09.86-08.91	■
1.6 i Cat (C15, C35, D15, D35) (C 16 NZ)		Gasolina	FWD	1598	55	75	09.86-08.91	■
1.6 i Cat (C15, C35, D15, D35) (C 16 NZ)		Gasolina	FWD	1598	55	75	09.86-08.91	■
1.6 (C15, C35, D15, D35) (16 SV)		Gasolina	FWD	1598	60	82	09.86-08.91	■

LISTA DE APLICACIONES - BUYERS GUIDE

1.6 (C15, C35, D15, D35) (16 SV)		Gasolina	FWD	1598	60	82	09.86-08.91	■	
1.6 S (C15, C35, D35, D15) (16 SH)		Gasolina	FWD	1598	66	90	09.84-08.86	■	
1.6 S (C15, C35, D35, D15) (16 SH)		Gasolina	FWD	1598	66	90	09.84-08.86	■	
1.8 S (C15, C35, D15, D35) (E 18 NV)		Gasolina	FWD	1796	62	84	09.87-08.91	■	
1.8 S (C15, C35, D15, D35) (E 18 NV)		Gasolina	FWD	1796	62	84	09.87-08.91	■	
1.8 S (C15, C35, D15, D35) (S 18 NV)		Gasolina	FWD	1796	62	84	09.87-08.91	■	
1.8 S (C15, C35, D15, D35) (S 18 NV)		Gasolina	FWD	1796	62	84	09.87-08.91	■	
1.8 i (C15, C35, D15, D35) (C 18 NT)		Gasolina	FWD	1796	66	90	06.85-08.91	■	
1.8 i (C15, C35, D15, D35) (C 18 NT)		Gasolina	FWD	1796	66	90	06.85-08.91	■	
1.8 i (C15, C35, D15, D35) (C 18 NZ)		Gasolina	FWD	1796	66	90	06.85-08.91	■	
1.8 i (C15, C35, D15, D35) (C 18 NZ)		Gasolina	FWD	1796	66	90	06.85-08.91	■	
1.8 E (C15, C35, D15, D35) (C 18 NE)		Gasolina	FWD	1796	74	100	10.85-08.86	■	
1.8 E (C15, C35, D15, D35) (C 18 NE)		Gasolina	FWD	1796	74	100	10.85-08.86	■	
1.8 i (C15, C35, D15, D35) (18 E)		Gasolina	FWD	1796	85	115	09.84-08.86	■	
1.8 i (C15, C35, D15, D35) (18 E)		Gasolina	FWD	1796	85	115	09.84-08.86	■	
1.8 i (C15, C35, D15, D35) (18 SE)		Gasolina	FWD	1796	85	115	09.84-08.86	■	
1.8 i (C15, C35, D15, D35) (18 SE)		Gasolina	FWD	1796	85	115	09.84-08.86	■	
1.5 TD (C15, C35, D15, D35) (15 TD)		Diesel	FWD	1488	53	72	07.88-08.91	■	
1.5 TD (C15, C35, D15, D35) (15 TD)		Diesel	FWD	1488	53	72	07.88-08.91	■	
1.6 D (C15, C35, D15, D35) (16 D)		Diesel	FWD	1598	40	54	09.84-01.89	■	
1.6 D (C15, C35, D15, D35) (16 D)		Diesel	FWD	1598	40	54	09.84-01.89	■	
1.6 D (C15, C35, D15, D35) (16 DA)		Diesel	FWD	1598	40	54	09.84-01.89	■	
1.6 D (C15, C35, D15, D35) (16 DA)		Diesel	FWD	1598	40	54	09.84-01.89	■	
1.7 D (C15, C35, D15, D35) (17 D)		Diesel	FWD	1699	42	57	02.89-08.91	■	
1.7 D (C15, C35, D15, D35) (17 D)		Diesel	FWD	1699	42	57	02.89-08.91	■	
KADETT E (T85) 09.84-12.93							Hatchback (Compact car-C Segment)		
1.3 S (C08, C48, D08, D48) (13 S)	-12/86	Gasolina	FWD	1297	55	75	09.84-08.87	■	
1.3 S (C08, C48, D08, D48) (13 S)	-12/86	Gasolina	FWD	1297	55	75	09.84-08.87	■	
1.6 i (C08, C48, D08, D48) (E 16 NZ)		Gasolina	FWD	1598	55	75	09.86-08.91	■	
1.6 i (C08, C48, D08, D48) (E 16 NZ)		Gasolina	FWD	1598	55	75	09.86-08.91	■	
1.6 i Cat (C08, C48, D08, D48) (C 16 LZ)		Gasolina	FWD	1598	55	75	09.86-08.91	■	
1.6 i Cat (C08, C48, D08, D48) (C 16 LZ)		Gasolina	FWD	1598	55	75	09.86-08.91	■	
1.6 i Cat (C08, C48, D08, D48) (C 16 NZ)		Gasolina	FWD	1598	55	75	09.86-08.91	■	
1.6 i Cat (C08, C48, D08, D48) (C 16 NZ)		Gasolina	FWD	1598	55	75	09.86-08.91	■	
1.6 S (C08, C48, D08, D48) (16 SV)		Gasolina	FWD	1598	60	82	09.86-08.91	■	
1.6 S (C08, C48, D08, D48) (16 SV)		Gasolina	FWD	1598	60	82	09.86-08.91	■	
1.6 S (C08, D08, C48, D48) (16 SH)		Gasolina	FWD	1598	66	90	09.84-08.86	■	
1.6 S (C08, D08, C48, D48) (16 SH)		Gasolina	FWD	1598	66	90	09.84-08.86	■	
1.8 S (C08, C48, D08, D48) (E 18 NV)	-12/89	Gasolina	FWD	1796	62	84	09.87-08.91	■	
1.8 S (C08, C48, D08, D48) (E 18 NV)	-12/89	Gasolina	FWD	1796	62	84	09.87-08.91	■	
1.8 S (C08, C48, D08, D48) (S 18 NV)	-12/89	Gasolina	FWD	1796	62	84	09.87-08.91	■	
1.8 S (C08, C48, D08, D48) (S 18 NV)	-12/89	Gasolina	FWD	1796	62	84	09.87-08.91	■	
1.8 i (C08, C48, D08, D48) (C 18 NT)		Gasolina	FWD	1796	66	90	06.85-08.91	■	
1.8 i (C08, C48, D08, D48) (C 18 NT)		Gasolina	FWD	1796	66	90	06.85-08.91	■	
1.8 i (C08, C48, D08, D48) (C 18 NZ)		Gasolina	FWD	1796	66	90	06.85-08.91	■	
1.8 i (C08, C48, D08, D48) (C 18 NZ)		Gasolina	FWD	1796	66	90	06.85-08.91	■	
1.8 E (C08, C48, D08, D48) (C 18 NE)		Gasolina	FWD	1796	74	100	10.85-08.86	■	
1.8 E (C08, C48, D08, D48) (C 18 NE)		Gasolina	FWD	1796	74	100	10.85-08.86	■	
1.5 TD (C08, C48, D08, D48) (15 TD)		Diesel	FWD	1488	53	72	07.88-08.91	■	
1.5 TD (C08, C48, D08, D48) (15 TD)		Diesel	FWD	1488	53	72	07.88-08.91	■	
1.6 D (C08, C48, D08, D48) (16 D)		Diesel	FWD	1598	40	54	09.84-01.89	■	

LISTA DE APLICACIONES - BUYERS GUIDE

1.6 D (C08, C48, D08, D48) (16 D)		Diesel	FWD	1598	40	54	09.84-01.89	■
1.6 D (C08, C48, D08, D48) (16 DA)		Diesel	FWD	1598	40	54	09.84-01.89	■
1.6 D (C08, C48, D08, D48) (16 DA)		Diesel	FWD	1598	40	54	09.84-01.89	■
1.7 D (C08, C48, D08, D48) (17 D)		Diesel	FWD	1699	42	57	02.89-08.91	■
1.7 D (C08, C48, D08, D48) (17 D)		Diesel	FWD	1699	42	57	02.89-08.91	■
KADETT E / MONZA E (T85) 09.84-12.93				Saloon (Compact car-C Segment)				
1.6 i (C19, D19) (E 16 NZ)		Gasolina	FWD	1598	55	75	09.86-08.91	■
1.6 i (C19, D19) (E 16 NZ)		Gasolina	FWD	1598	55	75	09.86-08.91	■
1.6 i Cat (C19, D19) (C 16 LZ)		Gasolina	FWD	1598	55	75	09.86-08.91	■
1.6 i Cat (C19, D19) (C 16 LZ)		Gasolina	FWD	1598	55	75	09.86-08.91	■
1.6 i Cat (C19, D19) (C 16 NZ)		Gasolina	FWD	1598	55	75	09.86-08.91	■
1.6 i Cat (C19, D19) (C 16 NZ)		Gasolina	FWD	1598	55	75	09.86-08.91	■
1.6 S (C19, D19) (16 SV)		Gasolina	FWD	1598	60	82	09.86-08.91	■
1.6 S (C19, D19) (16 SV)		Gasolina	FWD	1598	60	82	09.86-08.91	■
1.6 S (C19, D19) (16 SH)		Gasolina	FWD	1598	66	90	09.84-08.86	■
1.6 S (C19, D19) (16 SH)		Gasolina	FWD	1598	66	90	09.84-08.86	■
1.6		Gasolina	FWD	1598	75	102	09.87-08.91	■
1.6		Gasolina	FWD	1598	75	102	09.87-08.91	■
1.8 S (C19, D19) (E 18 NV)		Gasolina	FWD	1796	62	84	09.87-08.91	■
1.8 S (C19, D19) (E 18 NV)		Gasolina	FWD	1796	62	84	09.87-08.91	■
1.8 S (C19, D19) (S 18 NV)		Gasolina	FWD	1796	62	84	09.87-08.91	■
1.8 S (C19, D19) (S 18 NV)		Gasolina	FWD	1796	62	84	09.87-08.91	■
1.8 i (C19, D19) (18 SV)		Gasolina	FWD	1796	66	90	08.89-05.92	■
1.8 i (C19, D19) (18 SV)		Gasolina	FWD	1796	66	90	08.89-05.92	■
1.8 i (C19, D19) (C 18 NT)		Gasolina	FWD	1796	66	90	08.89-05.92	■
1.8 i (C19, D19) (C 18 NT)		Gasolina	FWD	1796	66	90	08.89-05.92	■
1.8 i (C19, D19) (C 18 NZ)		Gasolina	FWD	1796	66	90	08.89-05.92	■
1.8 i (C19, D19) (C 18 NZ)		Gasolina	FWD	1796	66	90	08.89-05.92	■
1.8 i (C19, D19) (C 18 NE)		Gasolina	FWD	1796	74	100	10.85-08.86	■
1.8 i (C19, D19) (C 18 NE)		Gasolina	FWD	1796	74	100	10.85-08.86	■
1.8 (C19, D19) (18 E)		Gasolina	FWD	1796	84	114	09.87-08.90	■
1.8 (C19, D19) (18 E)		Gasolina	FWD	1796	84	114	09.87-08.90	■
1.8 i (C19, D19) (18 E)		Gasolina	FWD	1796	85	115	09.84-08.86	■
1.8 i (C19, D19) (18 E)		Gasolina	FWD	1796	85	115	09.84-08.86	■
1.8 i (C19, D19) (18 SE)		Gasolina	FWD	1796	85	115	09.84-08.86	■
1.8 i (C19, D19) (18 SE)		Gasolina	FWD	1796	85	115	09.84-08.86	■
1.5 TD (C19, D19) (15 TD)		Diesel	FWD	1488	53	72	07.88-08.91	■
1.5 TD (C19, D19) (15 TD)		Diesel	FWD	1488	53	72	07.88-08.91	■
1.6 D (C19, D19) (16 D)		Diesel	FWD	1598	40	54	09.84-01.89	■
1.6 D (C19, D19) (16 D)		Diesel	FWD	1598	40	54	09.84-01.89	■
1.6 D (C19, D19) (16 DA)		Diesel	FWD	1598	40	54	09.84-01.89	■
1.6 D (C19, D19) (16 DA)		Diesel	FWD	1598	40	54	09.84-01.89	■
1.7 D (C19, D19) (17 D)		Diesel	FWD	1699	42	57	02.89-08.91	■
1.7 D (C19, D19) (17 D)		Diesel	FWD	1699	42	57	02.89-08.91	■
VECTRA A (J89) 04.88-12.95				Hatchback (Large family car-D Segment)				
1.4 S (F68, M68) (14 NV)	-12/91	Gasolina	FWD	1389	55	75	04.88-06.92	■
1.4 S (F68, M68) (14 NV)	-12/91	Gasolina	FWD	1389	55	75	04.88-06.92	■
1.6 i Cat (F68, M68) (C 16 NZ)		Gasolina	FWD	1598	55	75	09.88-11.95	■
1.6 i Cat (F68, M68) (C 16 NZ)		Gasolina	FWD	1598	55	75	09.88-11.95	■
1.6 i Cat (F68, M68) (C 16 NZ2)		Gasolina	FWD	1598	55	75	09.88-11.95	■

LISTA DE APLICACIONES - BUYERS GUIDE

1.6 i Cat (F68, M68) (C 16 NZ2)		Gasolina	FWD	1598	55	75	09.88-11.95	■	
1.6 S (16 SV)	-12/91	Gasolina	FWD	1598	60	82	09.88-05.93	■	
1.6 S (16 SV)	-12/91	Gasolina	FWD	1598	60	82	09.88-05.93	■	
1.6 (F68, M68) (E 16 NZ)	-12/91	Gasolina	FWD	1598	65	88	08.88-06.94	■	
1.6 (F68, M68) (E 16 NZ)	-12/91	Gasolina	FWD	1598	65	88	08.88-06.94	■	
1.8 S (F68, M68) (E 18 NVR)		Gasolina	FWD	1796	65	88	09.88-07.89	■	
1.8 S (F68, M68) (E 18 NVR)		Gasolina	FWD	1796	65	88	09.88-07.89	■	
1.8 i (F68, M68) (18 SV)		Gasolina	FWD	1796	66	90	09.88-10.90	■	
1.8 i (F68, M68) (18 SV)		Gasolina	FWD	1796	66	90	09.88-10.90	■	
1.8 i Cat (F68, M68) (C 18 NZ)	-12/91	Gasolina	FWD	1796	66	90	03.90-11.95	■	
1.8 i Cat (F68, M68) (C 18 NZ)	-12/91	Gasolina	FWD	1796	66	90	03.90-11.95	■	
1.7 D (F68, M68) (17 D)	-12/91	Diesel	FWD	1699	42	57	09.88-09.92	■	
1.7 D (F68, M68) (17 D)	-12/91	Diesel	FWD	1699	42	57	09.88-09.92	■	
VECTRA A (J89) 08.88-12.95							Saloon (Large family car-D Segment)		
1.4 S (F19, M19) (14 NV)	-12/91	Gasolina	FWD	1389	55	75	09.88-06.92	■	
1.4 S (F19, M19) (14 NV)	-12/91	Gasolina	FWD	1389	55	75	09.88-06.92	■	
1.6 i (F19, M19) (C 16 NZ)	-12/90	Gasolina	FWD	1598	55	75	09.88-11.95	■	
1.6 i (F19, M19) (C 16 NZ)	-12/90	Gasolina	FWD	1598	55	75	09.88-11.95	■	
1.6 i (F19, M19) (C 16 NZ2)	-12/90	Gasolina	FWD	1598	55	75	09.88-11.95	■	
1.6 i (F19, M19) (C 16 NZ2)	-12/90	Gasolina	FWD	1598	55	75	09.88-11.95	■	
1.6 i (F19, M19) (E 16 NZ)	-12/90	Gasolina	FWD	1598	55	75	09.88-11.95	■	
1.6 i (F19, M19) (E 16 NZ)	-12/90	Gasolina	FWD	1598	55	75	09.88-11.95	■	
1.6 (F19, M19) (16 SV)	-12/91	Gasolina	FWD	1598	60	82	09.88-05.93	■	
1.6 (F19, M19) (16 SV)	-12/91	Gasolina	FWD	1598	60	82	09.88-05.93	■	
1.8 S (F19, M19) (E 18 NVR)		Gasolina	FWD	1796	65	88	09.88-07.89	■	
1.8 S (F19, M19) (E 18 NVR)		Gasolina	FWD	1796	65	88	09.88-07.89	■	
1.8 S (F19, M19) (18 SV)		Gasolina	FWD	1796	66	90	09.89-10.90	■	
1.8 S (F19, M19) (18 SV)		Gasolina	FWD	1796	66	90	09.89-10.90	■	
1.7 D (F19, M19) (17 D)	-12/91	Diesel	FWD	1699	42	57	10.88-09.92	■	
1.7 D (F19, M19) (17 D)	-12/91	Diesel	FWD	1699	42	57	10.88-09.92	■	
VAUXHALL									
ASTRA Mk I 09.79-08.86							Hatchback (Compact car-C Segment)		
1.6 S (16 S)		Gasolina	FWD	1598	66	90	09.81-08.86	■	
1.6 S (16 S)		Gasolina	FWD	1598	66	90	09.81-08.86	■	
1.8 GTE (18 E)		Gasolina	FWD	1796	85	115	03.83-08.86	■	
1.8 GTE (18 E)		Gasolina	FWD	1796	85	115	03.83-08.86	■	
ASTRA Mk II (T85) 01.87-09.93							Convertible (Compact car-C Segment)		
1.6 i		Gasolina	FWD	1598	55	75	01.91-08.93	■	
1.6 i		Gasolina	FWD	1598	55	75	01.91-08.93	■	
1.6 i Cat		Gasolina	FWD	1598	55	75	10.87-02.93	■	
1.6 i Cat		Gasolina	FWD	1598	55	75	10.87-02.93	■	
1.6 i (16 SV)		Gasolina	FWD	1598	60	82	01.87-12.91	■	
1.6 i (16 SV)		Gasolina	FWD	1598	60	82	01.87-12.91	■	
ASTRA Mk II (T85) 09.84-08.91							Estate (Compact car-C Segment)		
1.6 (16 SV)		Gasolina	FWD	1598	60	82	09.84-08.91	■	
1.6 (16 SV)		Gasolina	FWD	1598	60	82	09.84-08.91	■	
1.6 S (16 S)		Gasolina	FWD	1598	66	90	09.84-08.86	■	
1.6 S (16 S)		Gasolina	FWD	1598	66	90	09.84-08.86	■	
1.6 D (16 DA)		Diesel	FWD	1598	40	54	09.84-12.89	■	

LISTA DE APLICACIONES - BUYERS GUIDE

1.6 D (16 DA)		Diesel	FWD	1598	40	54	09.84-12.89	■	
1.7 D (17 D)		Diesel	FWD	1699	42	57	02.89-08.91	■	
1.7 D (17 D)		Diesel	FWD	1699	42	57	02.89-08.91	■	
ASTRA Mk II BELMONT (T85) 09.85-12.91					Saloon (Compact car-C Segment)				
1.6 S (16 SV)		Gasolina	FWD	1598	60	82	01.89-12.91	■	
1.6 S (16 SV)		Gasolina	FWD	1598	60	82	01.89-12.91	■	
1.6	-12/86	Gasolina	FWD	1598	66	90	09.85-08.91	■	
1.6	-12/86	Gasolina	FWD	1598	66	90	09.85-08.91	■	
1.5 DT		Diesel	FWD	1499	49	67	01.88-08.90	■	
1.5 DT		Diesel	FWD	1499	49	67	01.88-08.90	■	
1.5 DT		Diesel	FWD	1499	53	72	01.87-08.89	■	
1.5 DT		Diesel	FWD	1499	53	72	01.87-08.89	■	
1.6 D (16 D)		Diesel	FWD	1598	40	54	09.85-08.91	■	
1.6 D (16 D)		Diesel	FWD	1598	40	54	09.85-08.91	■	
1.6 D (16 DA)		Diesel	FWD	1598	40	54	09.85-08.91	■	
1.6 D (16 DA)		Diesel	FWD	1598	40	54	09.85-08.91	■	
1.7 D (17 D)		Diesel	FWD	1699	42	57	01.89-12.91	■	
1.7 D (17 D)		Diesel	FWD	1699	42	57	01.89-12.91	■	
ASTRA Mk II CC (T85) 09.84-08.91					Hatchback (Compact car-C Segment)				
1.6 (16 SV)		Gasolina	FWD	1598	60	82	09.84-08.91	■	
1.6 (16 SV)		Gasolina	FWD	1598	60	82	09.84-08.91	■	
1.6 S (16 SH)		Gasolina	FWD	1598	66	90	09.84-08.86	■	
1.6 S (16 SH)		Gasolina	FWD	1598	66	90	09.84-08.86	■	
1.6 D (16 D)		Diesel	FWD	1598	40	54	09.84-12.89	■	
1.6 D (16 D)		Diesel	FWD	1598	40	54	09.84-12.89	■	
1.6 D (16 DA)		Diesel	FWD	1598	40	54	09.84-12.89	■	
1.6 D (16 DA)		Diesel	FWD	1598	40	54	09.84-12.89	■	
1.7 D (17 DR)		Diesel	FWD	1699	42	57	09.88-08.91	■	
1.7 D (17 DR)		Diesel	FWD	1699	42	57	09.88-08.91	■	
CAVALIER Mk II (J82) 09.81-08.88					Estate (Large family car-D Segment)				
1.3 S (13 S)		Gasolina	FWD	1297	55	75	09.81-08.88	■	
1.3 S (13 S)		Gasolina	FWD	1297	55	75	09.81-08.88	■	
1.6 (16 SH)		Gasolina	FWD	1598	66	90	10.83-08.88	■	
1.6 (16 SH)		Gasolina	FWD	1598	66	90	10.83-08.88	■	
1.6 D (16 DA)		Diesel	FWD	1598	40	54	03.82-08.88	■	
1.6 D (16 DA)		Diesel	FWD	1598	40	54	03.82-08.88	■	
CAVALIER Mk II (J82) 09.81-08.88					Saloon (Large family car-D Segment)				
1.3 N		Gasolina	FWD	1297	44	60	09.81-08.88	■	
1.3 N		Gasolina	FWD	1297	44	60	09.81-08.88	■	
1.3 S (13 S)		Gasolina	FWD	1297	55	75	09.81-08.88	■	
1.3 S (13 S)		Gasolina	FWD	1297	55	75	09.81-08.88	■	
1.6 i (E 16 NZ)		Gasolina	FWD	1598	55	75	08.86-08.88	■	
1.6 i (E 16 NZ)		Gasolina	FWD	1598	55	75	08.86-08.88	■	
1.6 i Cat (C 16 LZ)		Gasolina	FWD	1598	55	75	08.86-08.88	■	
1.6 i Cat (C 16 LZ)		Gasolina	FWD	1598	55	75	08.86-08.88	■	
1.6 i Cat (C 16 NZ)		Gasolina	FWD	1598	55	75	08.86-08.88	■	
1.6 i Cat (C 16 NZ)		Gasolina	FWD	1598	55	75	08.86-08.88	■	
1.6 N (16 N)		Gasolina	FWD	1598	55	75	09.81-08.88	■	
1.6 N (16 N)		Gasolina	FWD	1598	55	75	09.81-08.88	■	

LISTA DE APLICACIONES - BUYERS GUIDE

1.6 S (16 SH)		Gasolina	FWD	1598	66	90	09.81-08.88	■	
1.6 S (16 SH)		Gasolina	FWD	1598	66	90	09.81-08.88	■	
1.6 D (16 D)		Diesel	FWD	1598	40	54	03.82-08.88	■	
1.6 D (16 D)		Diesel	FWD	1598	40	54	03.82-08.88	■	
CAVALIER Mk II CC (J82) 09.81-08.88							Hatchback (Large family car-D Segment)		
1.3 S (13 S)		Gasolina	FWD	1297	55	75	09.81-08.88	■	
1.3 S (13 S)		Gasolina	FWD	1297	55	75	09.81-08.88	■	
1.6 S (16 SH)		Gasolina	FWD	1598	66	90	09.81-08.88	■	
1.6 S (16 SH)		Gasolina	FWD	1598	66	90	09.81-08.88	■	
1600D (16 D)		Diesel	FWD	1598	40	54	03.82-08.88	■	
1600D (16 D)		Diesel	FWD	1598	40	54	03.82-08.88	■	
1600D (16 DA)		Diesel	FWD	1598	40	54	03.82-08.88	■	
1600D (16 DA)		Diesel	FWD	1598	40	54	03.82-08.88	■	
CAVALIER Mk III (J89) 08.88-11.95							Saloon (Large family car-D Segment)		
1.4 S (14 NV)	-12/91	Gasolina	FWD	1389	55	75	09.88-11.95	■	
1.4 S (14 NV)	-12/91	Gasolina	FWD	1389	55	75	09.88-11.95	■	
1.6 i (C 16 NZ)	-12/91	Gasolina	FWD	1598	55	75	09.88-11.95	■	
1.6 i (C 16 NZ)	-12/91	Gasolina	FWD	1598	55	75	09.88-11.95	■	
1.6 i (E 16 NZ)	-12/91	Gasolina	FWD	1598	55	75	09.88-11.95	■	
1.6 i (E 16 NZ)	-12/91	Gasolina	FWD	1598	55	75	09.88-11.95	■	
1.6 (16 SV)	-12/91	Gasolina	FWD	1598	60	82	09.88-05.93	■	
1.6 (16 SV)	-12/91	Gasolina	FWD	1598	60	82	09.88-05.93	■	
1.8 (18 SV)	-12/90	Gasolina	FWD	1796	66	90	09.88-08.95	■	
1.8 (18 SV)	-12/90	Gasolina	FWD	1796	66	90	09.88-08.95	■	
1.8 (C 18 NZ)	-12/90	Gasolina	FWD	1796	66	90	09.88-08.95	■	
1.8 (C 18 NZ)	-12/90	Gasolina	FWD	1796	66	90	09.88-08.95	■	
1.8 i Cat (18 SV)		Gasolina	FWD	1796	66	90	03.90-11.95	■	
1.8 i Cat (18 SV)		Gasolina	FWD	1796	66	90	03.90-11.95	■	
1.8 i Cat (C 18 NZ)		Gasolina	FWD	1796	66	90	03.90-11.95	■	
1.8 i Cat (C 18 NZ)		Gasolina	FWD	1796	66	90	03.90-11.95	■	
1.7 TD (17 TD)	-12/91	Diesel	FWD	1686	60	82	09.88-11.95	■	
1.7 TD (17 TD)	-12/91	Diesel	FWD	1686	60	82	09.88-11.95	■	
1.7 D (17 D)	-12/91	Diesel	FWD	1699	42	57	09.88-09.92	■	
1.7 D (17 D)	-12/91	Diesel	FWD	1699	42	57	09.88-09.92	■	
CAVALIER Mk III CC (J89) 09.88-11.95							Hatchback (Large family car-D Segment)		
1.4 S (14 NV)	-12/91	Gasolina	FWD	1389	55	75	09.88-11.95	■	
1.4 S (14 NV)	-12/91	Gasolina	FWD	1389	55	75	09.88-11.95	■	
1.6 i (C 16 NZ)	-12/91	Gasolina	FWD	1598	55	75	09.88-11.95	■	
1.6 i (C 16 NZ)	-12/91	Gasolina	FWD	1598	55	75	09.88-11.95	■	
1.6 i (E 16 NZ)	-12/91	Gasolina	FWD	1598	55	75	09.88-11.95	■	
1.6 i (E 16 NZ)	-12/91	Gasolina	FWD	1598	55	75	09.88-11.95	■	
1.6 (16 SV)	-12/91	Gasolina	FWD	1598	60	82	09.88-05.93	■	
1.6 (16 SV)	-12/91	Gasolina	FWD	1598	60	82	09.88-05.93	■	
1.8 (18 SV)		Gasolina	FWD	1796	66	90	09.88-10.90	■	
1.8 (18 SV)		Gasolina	FWD	1796	66	90	09.88-10.90	■	
1.8 (C 18 NZ)		Gasolina	FWD	1796	66	90	09.88-10.90	■	
1.8 (C 18 NZ)		Gasolina	FWD	1796	66	90	09.88-10.90	■	
1.8 i Cat (18 SV)		Gasolina	FWD	1796	66	90	03.90-11.95	■	
1.8 i Cat (18 SV)		Gasolina	FWD	1796	66	90	03.90-11.95	■	
1.8 i Cat (C 18 NZ)		Gasolina	FWD	1796	66	90	03.90-11.95	■	

LISTA DE APLICACIONES - BUYERS GUIDE

1.8 i Cat (C 18 NZ)		Gasolina	FWD	1796	66	90	03.90-11.95	■	
1.7 D (17 D)	-12/91	Diesel	FWD	1699	42	57	09.88-09.92	■	
1.7 D (17 D)	-12/91	Diesel	FWD	1699	42	57	09.88-09.92	■	
NOVA (S83) 09.82-12.93							Saloon (Supermini car-B Segment)		
1.0 (10 S)		Gasolina	FWD	993	33	45	09.82-10.87	■	
1.0 (10 S)		Gasolina	FWD	993	33	45	09.82-10.87	■	
1.5 D		Diesel	FWD	1488	37	50	09.87-02.93	■	
1.5 D		Diesel	FWD	1488	37	50	09.87-02.93	■	
1.5 TD (15 DT (T4EC1))	-12/91	Diesel	FWD	1488	49	67	01.90-02.93	■	
1.5 TD (15 DT (T4EC1))	-12/91	Diesel	FWD	1488	49	67	01.90-02.93	■	
NOVA CC (S83) 05.83-03.93							Hatchback (Supermini car-B Segment)		
1.0 (10 S)	-12/91	Gasolina	FWD	993	33	45	05.83-03.93	■	
1.0 (10 S)	-12/91	Gasolina	FWD	993	33	45	05.83-03.93	■	
1.5 D (15 D)	-12/91	Diesel	FWD	1488	37	50	09.87-03.93	■	
1.5 D (15 D)	-12/91	Diesel	FWD	1488	37	50	09.87-03.93	■	
1.5 TD (15 DT (T4EC1))	-12/91	Diesel	FWD	1488	49	67	01.90-03.93	■	
1.5 TD (15 DT (T4EC1))	-12/91	Diesel	FWD	1488	49	67	01.90-03.93	■	
NOVAVAN (S83) 01.90-10.94							Hatchback Van (LCVs-N1 Segment)		
1.5 D (15 D)	-12/92	Diesel	FWD	1488	37	50	01.91-10.94	■	
1.5 D (15 D)	-12/92	Diesel	FWD	1488	37	50	01.91-10.94	■	