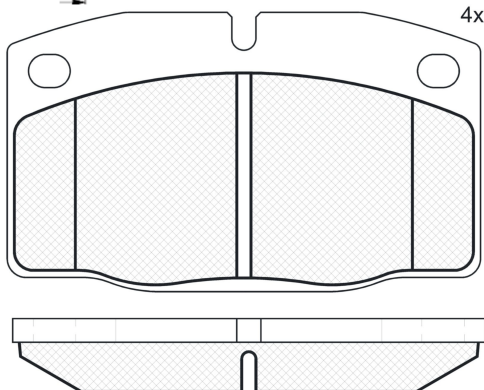
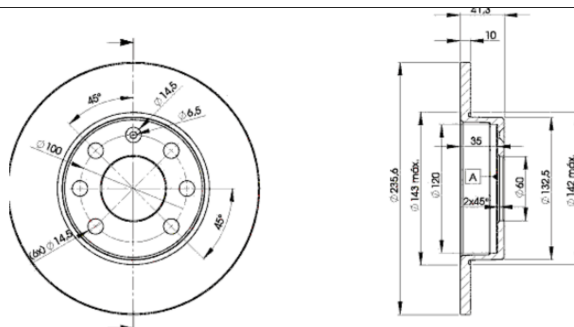


LISTA DE APLICACIONES - BUYERS GUIDE

30454-6193



Weight: 8.030



30454-6193



Delco Moraine

100x59x15.4
Ø236x10x41

WVA
20939

MAKE
OPEL
VAUXHALL

180454-066

4x
1-690047 E

180454-072

4x
1-690049 E
4x
1-690047 E

180454-073

4x
1-690049 E
4x
1-690048 E



Trac.	CC	Kw	CV
-------	----	----	----



Front / Rear

OPEL

CORSA A (S83) 02.86-09.94

Hatchback Van (LCVs-N1 Segment)

Model	Gasolina	FWD	CC	Kw	CV	Year Range	Application
1.0 (F08, W5L) (10 S)	Gasolina	FWD	993	33	45	02.86-04.89	■
1.0 (F08, W5L) (10 S)	Gasolina	FWD	993	33	45	02.86-04.89	■
1.2 (F08, W5L) (12 NC)	Gasolina	FWD	1196	33	45	02.86-04.89	■
1.2 (F08, W5L) (12 NC)	Gasolina	FWD	1196	33	45	02.86-04.89	■
1.2 (F08, W5L) (E 12 GV)	Gasolina	FWD	1196	33	45	02.86-04.89	■
1.2 (F08, W5L) (E 12 GV)	Gasolina	FWD	1196	33	45	02.86-04.89	■
1.2 (F08, W5L) (12 ST)	Gasolina	FWD	1196	40	54	02.86-04.89	■
1.2 (F08, W5L) (12 ST)	Gasolina	FWD	1196	40	54	02.86-04.89	■
1.2 (F08, W5L) (12 S)	Gasolina	FWD	1196	44	60	02.86-07.90	■
1.2 (F08, W5L) (12 S)	Gasolina	FWD	1196	44	60	02.86-07.90	■
1.3 (F08, W5L) (13 NB)	Gasolina	FWD	1297	44	60	02.86-04.89	■
1.3 (F08, W5L) (13 NB)	Gasolina	FWD	1297	44	60	02.86-04.89	■
1.3 (F08, W5L) (13 SB)	Gasolina	FWD	1297	51	69	02.86-04.89	■
1.3 (F08, W5L) (13 SB)	Gasolina	FWD	1297	51	69	02.86-04.89	■

CORSA A (S83) 09.82-03.93

Hatchback (Supermini car-B Segment)

Model	Gasolina	FWD	CC	Kw	CV	Year Range	Application
1.0 (F08, M08, F68, M68) (10 S)	Gasolina	FWD	993	33	45	09.82-03.93	■
1.0 (F08, M08, F68, M68) (10 S)	Gasolina	FWD	993	33	45	09.82-03.93	■
1.2 i (F08, M08, F68, M68) (C 12 NZ)	Gasolina	FWD	1195	33	45	09.89-03.93	■
1.2 i (F08, M08, F68, M68) (C 12 NZ)	Gasolina	FWD	1195	33	45	09.89-03.93	■
1.2 (F08, M08, F68, M68) (12 NC)	Gasolina	FWD	1196	33	45	09.82-08.90	■
1.2 (F08, M08, F68, M68) (12 NC)	Gasolina	FWD	1196	33	45	09.82-08.90	■
1.2 (F08, M08, F68, M68) (E 12 GV)	Gasolina	FWD	1196	33	45	09.82-08.90	■

LISTA DE APLICACIONES - BUYERS GUIDE

1.2 (F08, M08, F68, M68) (E 12 GV)		Gasolina	FWD	1196	33	45	09.82-08.90	■
1.2 N (F08, M08, F68, M68) (12 NV)		Gasolina	FWD	1196	38	52	01.90-03.93	■
1.2 N (F08, M08, F68, M68) (12 NV)		Gasolina	FWD	1196	38	52	01.90-03.93	■
1.2 S (F08, M08, F68, M68) (12 ST)		Gasolina	FWD	1196	40	55	09.82-02.90	■
1.2 S (F08, M08, F68, M68) (12 ST)		Gasolina	FWD	1196	40	55	09.82-02.90	■
1.2 (F08, M08, F68, M68) (12 S)		Gasolina	FWD	1196	44	60	09.82-08.90	■
1.2 (F08, M08, F68, M68) (12 S)		Gasolina	FWD	1196	44	60	09.82-08.90	■
1.3 (F08, M08, F68, M68) (13 NB)		Gasolina	FWD	1297	44	60	09.85-10.89	■
1.3 (F08, M08, F68, M68) (13 NB)		Gasolina	FWD	1297	44	60	09.85-10.89	■
1.3 i (F08, M08, F68, M68) (C 13 N)		Gasolina	FWD	1297	44	60	09.86-09.90	■
1.3 i (F08, M08, F68, M68) (C 13 N)		Gasolina	FWD	1297	44	60	09.86-09.90	■
1.3 S (F08, M08, F68, M68) (13 SB)		Gasolina	FWD	1297	51	70	09.82-10.89	■
1.3 S (F08, M08, F68, M68) (13 SB)		Gasolina	FWD	1297	51	70	09.82-10.89	■
1.3 GL	-12/90	Gasolina	FWD	1297	55	75	09.82-03.93	■
1.3 GL	-12/90	Gasolina	FWD	1297	55	75	09.82-03.93	■
1.4 i (F08, M08, F68, M68) (C 14 NZ)	-12/91	Gasolina	FWD	1389	40	54	01.85-03.93	■
1.4 i (F08, M08, F68, M68) (C 14 NZ)	-12/91	Gasolina	FWD	1389	40	54	01.85-03.93	■
CORSA A (S83) 09.82-03.93				Saloon (Supermini car-B Segment)				
1.0 (F11, M11, F19, M19) (10 S)		Gasolina	FWD	993	33	45	09.82-09.92	■
1.0 (F11, M11, F19, M19) (10 S)		Gasolina	FWD	993	33	45	09.82-09.92	■
1.2 N (F11, M11, F19, M19) (12 NC)		Gasolina	FWD	1196	33	45	01.85-10.87	■
1.2 N (F11, M11, F19, M19) (12 NC)		Gasolina	FWD	1196	33	45	01.85-10.87	■
1.2 N (F11, M11, F19, M19) (E 12 GV)		Gasolina	FWD	1196	33	45	01.85-10.87	■
1.2 N (F11, M11, F19, M19) (E 12 GV)		Gasolina	FWD	1196	33	45	01.85-10.87	■
1.2 S (F11, M11, M19, F19) (12 ST)		Gasolina	FWD	1196	40	55	09.82-03.93	■
1.2 S (F11, M11, M19, F19) (12 ST)		Gasolina	FWD	1196	40	55	09.82-03.93	■
1.2 S (F11, M11, F19, M19) (12 S)		Gasolina	FWD	1196	43	58	09.82-10.87	■
1.2 S (F11, M11, F19, M19) (12 S)		Gasolina	FWD	1196	43	58	09.82-10.87	■
1.3 (F11, F19, M11, M19) (13 NB)		Gasolina	FWD	1297	44	60	09.85-10.87	■
1.3 (F11, F19, M11, M19) (13 NB)		Gasolina	FWD	1297	44	60	09.85-10.87	■
1.3 (F11, F19, M11, M19) (C 13 N)		Gasolina	FWD	1297	44	60	09.85-10.87	■
1.3 (F11, F19, M11, M19) (C 13 N)		Gasolina	FWD	1297	44	60	09.85-10.87	■
1.3 S (F11, M11, F19, M19) (13 SB)		Gasolina	FWD	1297	51	70	09.82-10.87	■
1.3 S (F11, M11, F19, M19) (13 SB)		Gasolina	FWD	1297	51	70	09.82-10.87	■
1.3 GL	-12/90	Gasolina	FWD	1297	55	75	09.82-03.93	■
1.3 GL	-12/90	Gasolina	FWD	1297	55	75	09.82-03.93	■
KADETT D (35_, 36_, 45_, 46_) 08.79-08.84				Estate (Compact car-C Segment)				
1.2 (12 N)		Gasolina	FWD	1196	39	53	08.79-07.82	■
1.2 (12 N)		Gasolina	FWD	1196	39	53	08.79-07.82	■
1.2 S (12 S)		Gasolina	FWD	1196	44	60	08.79-08.84	■
1.2 S (12 S)		Gasolina	FWD	1196	44	60	08.79-08.84	■
1.3 N (13 N)		Gasolina	FWD	1297	44	60	08.79-08.84	■
1.3 N (13 N)		Gasolina	FWD	1297	44	60	08.79-08.84	■
1.3 S (13 S)	01/83-	Gasolina	FWD	1297	55	75	08.79-08.84	■
1.3 S (13 S)	01/83-	Gasolina	FWD	1297	55	75	08.79-08.84	■
KADETT D (31_-34_, 41_-44_) 08.79-08.84				Hatchback (Compact car-C Segment)				
1.0 (10 N)		Gasolina	FWD	993	30	41	09.79-08.82	■
1.0 (10 N)		Gasolina	FWD	993	30	41	09.79-08.82	■
1.0 (10 S)		Gasolina	FWD	993	33	45	09.79-08.84	■
1.0 (10 S)		Gasolina	FWD	993	33	45	09.79-08.84	■

LISTA DE APLICACIONES - BUYERS GUIDE

1.2 (12 N)		Gasolina	FWD	1196	39	53	08.79-07.82	■
1.2 (12 N)		Gasolina	FWD	1196	39	53	08.79-07.82	■
1.2 (12 ST)		Gasolina	FWD	1196	40	55	08.82-08.84	■
1.2 (12 ST)		Gasolina	FWD	1196	40	55	08.82-08.84	■
1.2 S (12 S)		Gasolina	FWD	1196	44	60	08.79-08.84	■
1.2 S (12 S)		Gasolina	FWD	1196	44	60	08.79-08.84	■
1.3 N (13 N)		Gasolina	FWD	1297	44	60	08.79-08.84	■
1.3 N (13 N)		Gasolina	FWD	1297	44	60	08.79-08.84	■
1.3 S (13 S)		Gasolina	FWD	1297	55	75	08.79-08.84	■
1.3 S (13 S)		Gasolina	FWD	1297	55	75	08.79-08.84	■
KADETT D (32_,37_,39, _42) 08.79-08.84				Saloon (Compact car-C Segment)				
1.0 (10 N)		Gasolina	FWD	993	30	41	09.79-08.82	■
1.0 (10 N)		Gasolina	FWD	993	30	41	09.79-08.82	■
1.0 (10 S)		Gasolina	FWD	993	33	45	09.79-08.84	■
1.0 (10 S)		Gasolina	FWD	993	33	45	09.79-08.84	■
1.2 S (12 S)		Gasolina	FWD	1196	44	60	08.79-08.84	■
1.2 S (12 S)		Gasolina	FWD	1196	44	60	08.79-08.84	■
1.3 N (C 13 N)		Gasolina	FWD	1297	44	60	08.79-08.84	■
1.3 N (C 13 N)		Gasolina	FWD	1297	44	60	08.79-08.84	■
1.3 S (13 S)		Gasolina	FWD	1297	55	75	08.79-08.84	■
1.3 S (13 S)		Gasolina	FWD	1297	55	75	08.79-08.84	■
1.6		Gasolina	FWD	1598	51	69	09.79-08.84	■
1.6		Gasolina	FWD	1598	51	69	09.79-08.84	■
1.6		Gasolina	FWD	1598	55	75	09.79-08.84	■
1.6		Gasolina	FWD	1598	55	75	09.79-08.84	■
1.6 D (16 D)		Diesel	FWD	1598	40	54	03.82-08.84	■
1.6 D (16 D)		Diesel	FWD	1598	40	54	03.82-08.84	■
KADETT E (T85) 08.84-09.93				Estate Van (Compact car-C Segment)				
1.3 N (C70, D70) (13 N)		Gasolina	FWD	1297	44	60	09.84-07.89	■
1.3 N (C70, D70) (13 N)		Gasolina	FWD	1297	44	60	09.84-07.89	■
1.3 N (C70, D70) (13 NB)		Gasolina	FWD	1297	44	60	09.84-07.89	■
1.3 N (C70, D70) (13 NB)		Gasolina	FWD	1297	44	60	09.84-07.89	■
1.4 i (C70, D70) (C 14 NZ)		Gasolina	FWD	1389	44	60	01.90-08.91	■
1.4 i (C70, D70) (C 14 NZ)		Gasolina	FWD	1389	44	60	01.90-08.91	■
KADETT E (T85) 09.84-08.91				Estate (Compact car-C Segment)				
1.2 (C15, C35, D15, D35) (12 SC)	01/85-	Gasolina	FWD	1196	40	55	09.84-07.86	■
1.2 (C15, C35, D15, D35) (12 SC)	01/85-	Gasolina	FWD	1196	40	55	09.84-07.86	■
1.3 N (C15, C35, D15, D35) (13 N)		Gasolina	FWD	1297	44	60	09.84-08.91	■
1.3 N (C15, C35, D15, D35) (13 N)		Gasolina	FWD	1297	44	60	09.84-08.91	■
1.3 S (C15, C35, D15, D35) (13 S)		Gasolina	FWD	1297	55	75	09.84-08.87	■
1.3 S (C15, C35, D15, D35) (13 S)		Gasolina	FWD	1297	55	75	09.84-08.87	■
1.4 i (C15, C35, D15, D35) (C 14 NZ)		Gasolina	FWD	1389	44	60	01.90-08.91	■
1.4 i (C15, C35, D15, D35) (C 14 NZ)		Gasolina	FWD	1389	44	60	01.90-08.91	■
1.4 S (C15, C35, D15, D35) (14 NV)		Gasolina	FWD	1389	55	75	01.90-08.91	■
1.4 S (C15, C35, D15, D35) (14 NV)		Gasolina	FWD	1389	55	75	01.90-08.91	■
KADETT E (T85) 09.84-12.93				Hatchback (Compact car-C Segment)				
1.2 (C08, C48, D08, D48) (12 SC)		Gasolina	FWD	1196	40	55	09.84-07.86	■
1.2 (C08, C48, D08, D48) (12 SC)		Gasolina	FWD	1196	40	55	09.84-07.86	■
1.3 i Cat (C08, C48, D08, D48) (C 13 N)		Gasolina	FWD	1297	44	60	09.85-08.91	■

LISTA DE APLICACIONES - BUYERS GUIDE

1.3 i Cat (C08, C48, D08, D48) (C 13 N)		Gasolina	FWD	1297	44	60	09.85-08.91	■
1.3 N (C08, C48, D08, D48) (13 N)		Gasolina	FWD	1297	44	60	09.84-08.91	■
1.3 N (C08, C48, D08, D48) (13 N)		Gasolina	FWD	1297	44	60	09.84-08.91	■
1.3 N (C08, C48, D08, D48) (13 NB)		Gasolina	FWD	1297	44	60	09.84-08.91	■
1.3 N (C08, C48, D08, D48) (13 NB)		Gasolina	FWD	1297	44	60	09.84-08.91	■
1.3 S (C08, C48, D08, D48) (13 S)		Gasolina	FWD	1297	55	75	09.84-08.87	■
1.3 S (C08, C48, D08, D48) (13 S)		Gasolina	FWD	1297	55	75	09.84-08.87	■
1.4 i (C08, C48, D08, D48) (C 14 NZ)		Gasolina	FWD	1389	44	60	01.90-08.91	■
1.4 i (C08, C48, D08, D48) (C 14 NZ)		Gasolina	FWD	1389	44	60	01.90-08.91	■
1.4 S (C08, C48, D08, D48) (14 NV)		Gasolina	FWD	1389	55	75	01.90-08.91	■
1.4 S (C08, C48, D08, D48) (14 NV)		Gasolina	FWD	1389	55	75	01.90-08.91	■
1.4 S (C08, C48, D08, D48) (C 14 SE)		Gasolina	FWD	1389	60	82	09.89-08.91	■
1.4 S (C08, C48, D08, D48) (C 14 SE)		Gasolina	FWD	1389	60	82	09.89-08.91	■
KADETT E / MONZA E (T85) 09.84-12.93				Saloon (Compact car-C Segment)				
1.2 (C19, D19) (12 SC)		Gasolina	FWD	1196	40	55	09.84-07.86	■
1.2 (C19, D19) (12 SC)		Gasolina	FWD	1196	40	55	09.84-07.86	■
1.3 i Cat (C19, D19) (C 13 N)		Gasolina	FWD	1297	44	60	09.85-08.91	■
1.3 i Cat (C19, D19) (C 13 N)		Gasolina	FWD	1297	44	60	09.85-08.91	■
1.3 N (C19, D19) (13 N)		Gasolina	FWD	1297	44	60	09.84-08.89	■
1.3 N (C19, D19) (13 N)		Gasolina	FWD	1297	44	60	09.84-08.89	■
1.3 N (C19, D19) (13 NB)		Gasolina	FWD	1297	44	60	09.84-08.89	■
1.3 N (C19, D19) (13 NB)		Gasolina	FWD	1297	44	60	09.84-08.89	■
1.3 S (C19, D19) (13 S)		Gasolina	FWD	1297	55	75	09.84-08.87	■
1.3 S (C19, D19) (13 S)		Gasolina	FWD	1297	55	75	09.84-08.87	■
1.4 i (C19, D19) (C 14 NZ)		Gasolina	FWD	1389	44	60	01.90-08.91	■
1.4 i (C19, D19) (C 14 NZ)		Gasolina	FWD	1389	44	60	01.90-08.91	■
1.4 S (C19, D19) (14 NV)		Gasolina	FWD	1389	55	75	01.90-08.91	■
1.4 S (C19, D19) (14 NV)		Gasolina	FWD	1389	55	75	01.90-08.91	■
KADETT C AERO 09.76-08.79				Convertible (Compact car-C Segment)				
1.2 (12 S)		Gasolina	RWD	1196	44	60	09.76-08.79	■
1.2 (12 S)		Gasolina	RWD	1196	44	60	09.76-08.79	■
VAUXHALL								
ASTRA Mk I 09.79-08.86				Estate (Compact car-C Segment)				
1.3 S (13 S)		Gasolina	FWD	1297	55	75	09.79-08.84	■
1.3 S (13 S)		Gasolina	FWD	1297	55	75	09.79-08.84	■
ASTRA Mk I 09.79-08.86				Hatchback (Compact car-C Segment)				
1.2 S (12 S)		Gasolina	FWD	1196	44	60	02.82-08.84	■
1.2 S (12 S)		Gasolina	FWD	1196	44	60	02.82-08.84	■
1.3 S (13 S)		Gasolina	FWD	1297	55	75	09.79-08.84	■
1.3 S (13 S)		Gasolina	FWD	1297	55	75	09.79-08.84	■
1.6 D (16 D)		Diesel	FWD	1598	40	54	03.82-08.86	■
1.6 D (16 D)		Diesel	FWD	1598	40	54	03.82-08.86	■
ASTRA Mk II (T85) 09.84-08.91				Estate (Compact car-C Segment)				
1.2 (12 S)		Gasolina	FWD	1196	44	60	09.84-12.88	■
1.2 (12 S)		Gasolina	FWD	1196	44	60	09.84-12.88	■
1.4 S (14 NV)	01/90-	Gasolina	FWD	1389	55	75	01.89-08.91	■
1.4 S (14 NV)	01/90-	Gasolina	FWD	1389	55	75	01.89-08.91	■
ASTRA Mk II BELMONT (T85) 09.85-12.91				Saloon (Compact car-C Segment)				
1.4 i (C 14 NZ)		Gasolina	FWD	1389	44	60	01.90-12.91	■

LISTA DE APLICACIONES - BUYERS GUIDE

1.4 i (C 14 NZ)		Gasolina	FWD	1389	44	60	01.90-12.91	■
ASTRA Mk II CC (T85) 09.84-08.91				Hatchback (Compact car-C Segment)				
1.2 (12 S)		Gasolina	FWD	1196	44	60	09.84-08.91	■
1.2 (12 S)		Gasolina	FWD	1196	44	60	09.84-08.91	■
1.4 i (C 14 NZ)		Gasolina	FWD	1389	44	60	01.90-08.91	■
1.4 i (C 14 NZ)		Gasolina	FWD	1389	44	60	01.90-08.91	■
1.4 S (14 NV)		Gasolina	FWD	1389	55	75	01.90-08.91	■
1.4 S (14 NV)		Gasolina	FWD	1389	55	75	01.90-08.91	■
NOVA (S83) 09.82-12.93				Saloon (Supermini car-B Segment)				
1.2 N		Gasolina	FWD	1196	33	45	02.92-12.93	■
1.2 N		Gasolina	FWD	1196	33	45	02.92-12.93	■
1.2 S (12 ST)		Gasolina	FWD	1196	40	55	09.82-10.87	■
1.2 S (12 ST)		Gasolina	FWD	1196	40	55	09.82-10.87	■
1.3 i		Gasolina	FWD	1297	44	60	09.85-10.87	■
1.3 i		Gasolina	FWD	1297	44	60	09.85-10.87	■
1.3 S (13 SB)		Gasolina	FWD	1297	51	70	09.82-10.87	■
1.3 S (13 SB)		Gasolina	FWD	1297	51	70	09.82-10.87	■
1.4 S (14 NV)	-12/91	Gasolina	FWD	1389	55	75	01.90-02.93	■
1.4 S (14 NV)	-12/91	Gasolina	FWD	1389	55	75	01.90-02.93	■
NOVA CC (S83) 05.83-03.93				Hatchback (Supermini car-B Segment)				
1.2 (C 12 NZ)	-12/91	Gasolina	FWD	1196	33	45	09.89-03.93	■
1.2 (C 12 NZ)	-12/91	Gasolina	FWD	1196	33	45	09.89-03.93	■
1.2 i		Gasolina	FWD	1196	33	45	01.85-03.93	■
1.2 i		Gasolina	FWD	1196	33	45	01.85-03.93	■
1.2 N (12 NV)	-12/91	Gasolina	FWD	1196	38	52	01.90-03.93	■
1.2 N (12 NV)	-12/91	Gasolina	FWD	1196	38	52	01.90-03.93	■
1.2 S (12 ST)		Gasolina	FWD	1196	40	55	05.83-02.90	■
1.2 S (12 ST)		Gasolina	FWD	1196	40	55	05.83-02.90	■
1.2 S		Gasolina	FWD	1196	43	58	01.88-02.90	■
1.2 S		Gasolina	FWD	1196	43	58	01.88-02.90	■
1.3 i		Gasolina	FWD	1297	44	60	09.85-10.89	■
1.3 i		Gasolina	FWD	1297	44	60	09.85-10.89	■
1.3 i Cat	-12/91	Gasolina	FWD	1297	44	60	09.89-03.93	■
1.3 i Cat	-12/91	Gasolina	FWD	1297	44	60	09.89-03.93	■
1.3 S (13 SB)		Gasolina	FWD	1297	51	70	05.83-10.89	■
1.3 S (13 SB)		Gasolina	FWD	1297	51	70	05.83-10.89	■
1.4 i (C 14 NZ)	-12/91	Gasolina	FWD	1389	44	60	01.90-03.93	■
1.4 i (C 14 NZ)	-12/91	Gasolina	FWD	1389	44	60	01.90-03.93	■
1.4 S (14 NV)	-12/91	Gasolina	FWD	1389	55	75	01.90-03.93	■
1.4 S (14 NV)	-12/91	Gasolina	FWD	1389	55	75	01.90-03.93	■