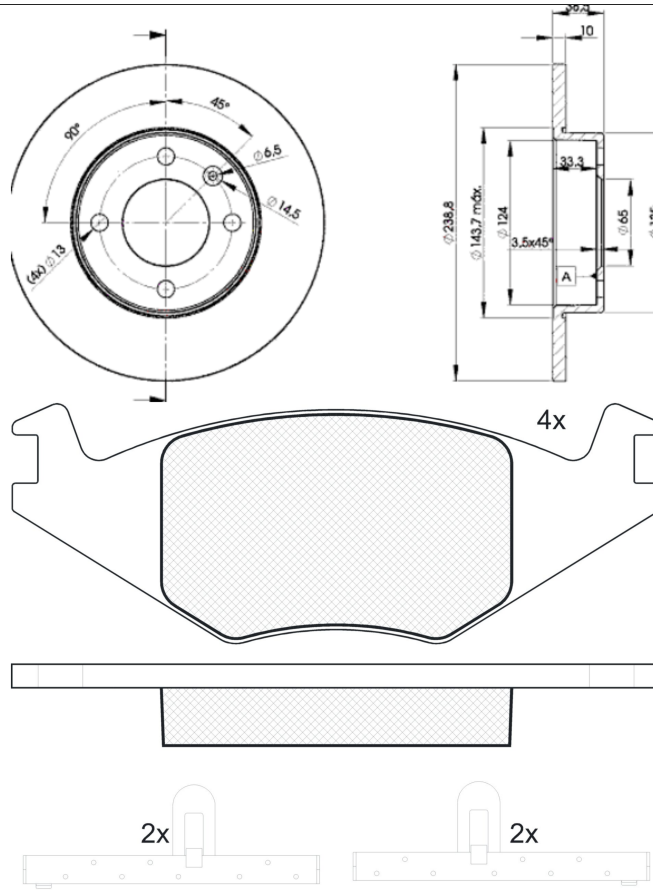


# LISTA DE APLICACIONES - BUYERS GUIDE

## 30461-3325



Weight: 7.920



1-Ref. 640029 E

## 30461-3325



Volkswagen

137.8x51.2x17.3  
Ø239x10x38.6

**WVA**  
20889

**MAKE**  
SEAT  
VW



Trac.	CC	Kw	CV
-------	----	----	----



Front / Rear

### SEAT

#### CORDOBA (6K1, 6K2) 02.93-12.02

#### Saloon (Supermini car-B Segment)

Model	Year	Fuel	Trac.	CC	Kw	CV	Period	Icon
1.4 i (ABD)	-12/95	Gasolina	FWD	1389	44	60	06.94-10.02	■
1.4 i (ABD)	-12/95	Gasolina	FWD	1389	44	60	06.94-10.02	■
1.4 i (AEX)	-12/95	Gasolina	FWD	1389	44	60	06.94-10.02	■
1.4 i (AEX)	-12/95	Gasolina	FWD	1389	44	60	06.94-10.02	■
1.4 i (AKK)	-12/95	Gasolina	FWD	1389	44	60	06.94-10.02	■
1.4 i (AKK)	-12/95	Gasolina	FWD	1389	44	60	06.94-10.02	■
1.4 i (AKV)	-12/95	Gasolina	FWD	1389	44	60	06.94-10.02	■
1.4 i (AKV)	-12/95	Gasolina	FWD	1389	44	60	06.94-10.02	■
1.4 i (ANW)	-12/95	Gasolina	FWD	1389	44	60	06.94-10.02	■
1.4 i (ANW)	-12/95	Gasolina	FWD	1389	44	60	06.94-10.02	■
1.4 i (APQ)	-12/95	Gasolina	FWD	1389	44	60	06.94-10.02	■
1.4 i (APQ)	-12/95	Gasolina	FWD	1389	44	60	06.94-10.02	■
1.4 i (AUD)	-12/95	Gasolina	FWD	1389	44	60	06.94-10.02	■
1.4 i (AUD)	-12/95	Gasolina	FWD	1389	44	60	06.94-10.02	■

#### IBIZA II (6K1) 03.93-05.02

#### Hatchback (Supermini car-B Segment)

Model	Year	Fuel	Trac.	CC	Kw	CV	Period	Icon
1.0 (AAU)		Gasolina	FWD	1043	33	45	03.93-09.96	■
1.0 (AAU)		Gasolina	FWD	1043	33	45	03.93-09.96	■
1.3 i (2G)		Gasolina	FWD	1272	40	54	03.93-08.99	■
1.3 i (2G)		Gasolina	FWD	1272	40	54	03.93-08.99	■
1.3 i (AAV)		Gasolina	FWD	1272	40	54	03.93-08.99	■
1.3 i (AAV)		Gasolina	FWD	1272	40	54	03.93-08.99	■
1.4 i (ABD)	-12/95	Gasolina	FWD	1389	44	60	09.93-02.02	■

# LISTA DE APLICACIONES - BUYERS GUIDE

1.4 i (ABD)	-12/95	Gasolina	FWD	1389	44	60	09.93-02.02	■	
1.4 i (AEX)	-12/95	Gasolina	FWD	1389	44	60	09.93-02.02	■	
1.4 i (AEX)	-12/95	Gasolina	FWD	1389	44	60	09.93-02.02	■	
1.4 i (AKK)	-12/95	Gasolina	FWD	1389	44	60	09.93-02.02	■	
1.4 i (AKK)	-12/95	Gasolina	FWD	1389	44	60	09.93-02.02	■	
1.4 i (AKV)	-12/95	Gasolina	FWD	1389	44	60	09.93-02.02	■	
1.4 i (AKV)	-12/95	Gasolina	FWD	1389	44	60	09.93-02.02	■	
1.4 i (ANW)	-12/95	Gasolina	FWD	1389	44	60	09.93-02.02	■	
1.4 i (ANW)	-12/95	Gasolina	FWD	1389	44	60	09.93-02.02	■	
1.4 i (APQ)	-12/95	Gasolina	FWD	1389	44	60	09.93-02.02	■	
1.4 i (APQ)	-12/95	Gasolina	FWD	1389	44	60	09.93-02.02	■	
1.4 i (AUD)	-12/95	Gasolina	FWD	1389	44	60	09.93-02.02	■	
1.4 i (AUD)	-12/95	Gasolina	FWD	1389	44	60	09.93-02.02	■	
<b>VW</b>									
<b>GOLF II (19E, 1G1) 08.83-12.92</b>						<b>Hatchback (Compact car-C Segment)</b>			
1.0 (GN)		Gasolina	FWD	1043	33	45	11.83-08.85	■	
1.0 (GN)		Gasolina	FWD	1043	33	45	11.83-08.85	■	
1.0 (HZ)		Gasolina	FWD	1043	37	50	08.85-10.91	■	
1.0 (HZ)		Gasolina	FWD	1043	37	50	08.85-10.91	■	
1.3 (NU)		Gasolina	FWD	1272	37	50	08.85-12.87	■	
1.3 (NU)		Gasolina	FWD	1272	37	50	08.85-12.87	■	
1.3 (HK)		Gasolina	FWD	1272	40	55	08.83-06.87	■	
1.3 (HK)		Gasolina	FWD	1272	40	55	08.83-06.87	■	
1.3 (MH)		Gasolina	FWD	1272	40	55	08.83-06.87	■	
1.3 (MH)		Gasolina	FWD	1272	40	55	08.83-06.87	■	
1.3 Cat (2G)		Gasolina	FWD	1272	40	55	06.86-12.92	■	
1.3 Cat (2G)		Gasolina	FWD	1272	40	55	06.86-12.92	■	
1.3 Cat (MH)		Gasolina	FWD	1272	40	55	06.86-12.92	■	
1.3 Cat (MH)		Gasolina	FWD	1272	40	55	06.86-12.92	■	
1.3 Cat (NZ)		Gasolina	FWD	1272	40	55	06.86-12.92	■	
1.3 Cat (NZ)		Gasolina	FWD	1272	40	55	06.86-12.92	■	
1.3 (GT)		Gasolina	FWD	1272	43	58	08.83-10.86	■	
1.3 (GT)		Gasolina	FWD	1272	43	58	08.83-10.86	■	
1.6 D (ME)		Diesel	FWD	1588	37	50	08.83-10.91	■	
1.6 D (ME)		Diesel	FWD	1588	37	50	08.83-10.91	■	
1.6 D (JP)		Diesel	FWD	1588	40	54	08.83-10.91	■	
1.6 D (JP)		Diesel	FWD	1588	40	54	08.83-10.91	■	
1.6 D (ME)		Diesel	FWD	1588	40	54	08.83-10.91	■	
1.6 D (ME)		Diesel	FWD	1588	40	54	08.83-10.91	■	
<b>JETTA II (19E, 1G2, 165) 08.83-12.92</b>						<b>Saloon (Compact car-C Segment)</b>			
1.3 (HK)	-12/86	Gasolina	FWD	1272	40	55	01.84-06.87	■	
1.3 (HK)	-12/86	Gasolina	FWD	1272	40	55	01.84-06.87	■	
1.3 (MH)	-12/86	Gasolina	FWD	1272	40	55	01.84-06.87	■	
1.3 (MH)	-12/86	Gasolina	FWD	1272	40	55	01.84-06.87	■	
1.3 (GT)		Gasolina	FWD	1272	43	58	01.84-10.86	■	
1.3 (GT)		Gasolina	FWD	1272	43	58	01.84-10.86	■	
1.6 D (JP)	01/87-	Diesel	FWD	1588	40	54	01.84-10.91	■	
1.6 D (JP)	01/87-	Diesel	FWD	1588	40	54	01.84-10.91	■	
1.6 D (ME)	01/87-	Diesel	FWD	1588	40	54	01.84-10.91	■	
1.6 D (ME)	01/87-	Diesel	FWD	1588	40	54	01.84-10.91	■	

# LISTA DE APLICACIONES - BUYERS GUIDE

<b>PASSAT B2 / CARAT / CORSAR / QUANTUM / SANTANA (32B) 09.79-07.89</b>					<b>Hatchback (Large family car-D Segment)</b>			
1.6 D (CR)	-12/84	Diesel	FWD	1588	40	54	08.80-03.88	■
1.6 D (CR)	-12/84	Diesel	FWD	1588	40	54	08.80-03.88	■
1.6 D (JK)	-12/84	Diesel	FWD	1588	40	54	08.80-03.88	■
1.6 D (JK)	-12/84	Diesel	FWD	1588	40	54	08.80-03.88	■
<b>POLO II (86C, 80) 10.81-09.94</b>					<b>Coupe (Supermini car-B Segment)</b>			
1.0 (GL)	01/84-	Gasolina	FWD	1043	29	40	05.82-10.86	■
1.0 (GL)	01/84-	Gasolina	FWD	1043	29	40	05.82-10.86	■
1.0 (HZ)		Gasolina	FWD	1043	33	45	08.85-01.92	■
1.0 (HZ)		Gasolina	FWD	1043	33	45	08.85-01.92	■
1.0 Cat (AAK)	-12/92	Gasolina	FWD	1043	33	45	08.89-09.94	■
1.0 Cat (AAK)	-12/92	Gasolina	FWD	1043	33	45	08.89-09.94	■
1.0 Cat (AAU)	-12/92	Gasolina	FWD	1043	33	45	08.89-09.94	■
1.0 Cat (AAU)	-12/92	Gasolina	FWD	1043	33	45	08.89-09.94	■
1.0 Cat (ACM)	-12/92	Gasolina	FWD	1043	33	45	08.89-09.94	■
1.0 Cat (ACM)	-12/92	Gasolina	FWD	1043	33	45	08.89-09.94	■
1.3 (HK)	01/85-	Gasolina	FWD	1272	40	55	08.83-06.87	■
1.3 (HK)	01/85-	Gasolina	FWD	1272	40	55	08.83-06.87	■
1.3 (MH)	01/85-	Gasolina	FWD	1272	40	55	08.83-06.87	■
1.3 (MH)	01/85-	Gasolina	FWD	1272	40	55	08.83-06.87	■
1.3 Cat (2G)	-12/92	Gasolina	FWD	1272	40	55	07.87-08.94	■
1.3 Cat (2G)	-12/92	Gasolina	FWD	1272	40	55	07.87-08.94	■
1.3 Cat (AAV)	-12/92	Gasolina	FWD	1272	40	55	07.87-08.94	■
1.3 Cat (AAV)	-12/92	Gasolina	FWD	1272	40	55	07.87-08.94	■
1.3 Cat (MH)	-12/92	Gasolina	FWD	1272	40	55	07.87-08.94	■
1.3 Cat (MH)	-12/92	Gasolina	FWD	1272	40	55	07.87-08.94	■
1.3 Cat (NZ)	-12/92	Gasolina	FWD	1272	40	55	07.87-08.94	■
1.3 Cat (NZ)	-12/92	Gasolina	FWD	1272	40	55	07.87-08.94	■
1.3 (GK)	01/85-	Gasolina	FWD	1272	55	75	09.82-09.89	■
1.3 (GK)	01/85-	Gasolina	FWD	1272	55	75	09.82-09.89	■
1.3 Cat (3F)	-12/92	Gasolina	FWD	1272	55	75	10.89-09.94	■
1.3 Cat (3F)	-12/92	Gasolina	FWD	1272	55	75	10.89-09.94	■
1.3 D (MN)		Diesel	FWD	1272	33	45	08.86-08.90	■
1.3 D (MN)		Diesel	FWD	1272	33	45	08.86-08.90	■
1.4 D (1W)	-12/92	Diesel	FWD	1398	35	48	08.90-09.94	■
1.4 D (1W)	-12/92	Diesel	FWD	1398	35	48	08.90-09.94	■
<b>POLO II (86CF) 08.92-07.94</b>					<b>Hatchback Van (LCVs-N1 Segment)</b>			
1.0 (AAU)	-12/92	Gasolina	FWD	1043	33	45	08.92-07.94	■
1.0 (AAU)	-12/92	Gasolina	FWD	1043	33	45	08.92-07.94	■
<b>POLO II (86C, 80) 10.81-09.94</b>					<b>Hatchback (Supermini car-B Segment)</b>			
1.0 (GL)	01/85-	Gasolina	FWD	1043	29	40	10.81-10.86	■
1.0 (GL)	01/85-	Gasolina	FWD	1043	29	40	10.81-10.86	■
1.0 (HZ)	-12/90	Gasolina	FWD	1043	33	45	08.85-01.92	■
1.0 (HZ)	-12/90	Gasolina	FWD	1043	33	45	08.85-01.92	■
1.0 Cat (AAK)	-12/92	Gasolina	FWD	1043	33	45	08.89-09.94	■
1.0 Cat (AAK)	-12/92	Gasolina	FWD	1043	33	45	08.89-09.94	■
1.0 Cat (AAU)	-12/92	Gasolina	FWD	1043	33	45	08.89-09.94	■
1.0 Cat (AAU)	-12/92	Gasolina	FWD	1043	33	45	08.89-09.94	■
1.0 Cat (ACM)	-12/92	Gasolina	FWD	1043	33	45	08.89-09.94	■

# LISTA DE APLICACIONES - BUYERS GUIDE

1.0 Cat (ACM)	-12/92	Gasolina	FWD	1043	33	45	08.89-09.94	■
1.3 (HK)	01/85-	Gasolina	FWD	1272	40	55	08.83-07.88	■
1.3 (HK)	01/85-	Gasolina	FWD	1272	40	55	08.83-07.88	■
1.3 (MH)	01/85-	Gasolina	FWD	1272	40	55	08.83-07.88	■
1.3 (MH)	01/85-	Gasolina	FWD	1272	40	55	08.83-07.88	■
1.3 Cat (2G)	-12/90	Gasolina	FWD	1272	40	55	07.87-09.94	■
1.3 Cat (2G)	-12/90	Gasolina	FWD	1272	40	55	07.87-09.94	■
1.3 Cat (AAV)	-12/90	Gasolina	FWD	1272	40	55	07.87-09.94	■
1.3 Cat (AAV)	-12/90	Gasolina	FWD	1272	40	55	07.87-09.94	■
1.3 Cat (MH)	-12/90	Gasolina	FWD	1272	40	55	07.87-09.94	■
1.3 Cat (MH)	-12/90	Gasolina	FWD	1272	40	55	07.87-09.94	■
1.3 Cat (NZ)	-12/90	Gasolina	FWD	1272	40	55	07.87-09.94	■
1.3 Cat (NZ)	-12/90	Gasolina	FWD	1272	40	55	07.87-09.94	■
1.3 (GK)	01/84-	Gasolina	FWD	1272	55	75	09.82-09.89	■
1.3 (GK)	01/84-	Gasolina	FWD	1272	55	75	09.82-09.89	■
1.3 Cat (3F)		Gasolina	FWD	1272	55	75	10.89-03.91	■
1.3 Cat (3F)		Gasolina	FWD	1272	55	75	10.89-03.91	■
1.3 (3F)	-12/92	Gasolina	FWD	1272	56	76	10.90-08.94	■
1.3 (3F)	-12/92	Gasolina	FWD	1272	56	76	10.90-08.94	■
1.3 D (MN)		Diesel	FWD	1272	33	45	08.86-07.90	■
1.3 D (MN)		Diesel	FWD	1272	33	45	08.86-07.90	■
1.4 D (1W)	-12/92	Diesel	FWD	1398	35	48	10.90-09.94	■
1.4 D (1W)	-12/92	Diesel	FWD	1398	35	48	10.90-09.94	■
<b>POLO II (86C, 80) 01.85-09.94</b>					<b>Saloon (Supermini car-B Segment)</b>			
1.0 (GL)		Gasolina	FWD	1043	29	40	01.85-10.86	■
1.0 (GL)		Gasolina	FWD	1043	29	40	01.85-10.86	■
1.0 (AAK)		Gasolina	FWD	1043	33	45	01.85-09.94	■
1.0 (AAK)		Gasolina	FWD	1043	33	45	01.85-09.94	■
1.0 (AAU)		Gasolina	FWD	1043	33	45	01.85-09.94	■
1.0 (AAU)		Gasolina	FWD	1043	33	45	01.85-09.94	■
1.0 (ACM)		Gasolina	FWD	1043	33	45	01.85-09.94	■
1.0 (ACM)		Gasolina	FWD	1043	33	45	01.85-09.94	■
1.3 (HK)		Gasolina	FWD	1272	40	55	01.85-07.87	■
1.3 (HK)		Gasolina	FWD	1272	40	55	01.85-07.87	■
1.3 (MH)		Gasolina	FWD	1272	40	55	01.85-07.87	■
1.3 (MH)		Gasolina	FWD	1272	40	55	01.85-07.87	■
1.3 Cat (MH)		Gasolina	FWD	1272	40	55	07.87-09.94	■
1.3 Cat (MH)		Gasolina	FWD	1272	40	55	07.87-09.94	■
1.3 Cat (NZ)		Gasolina	FWD	1272	40	55	07.87-09.94	■
1.3 Cat (NZ)		Gasolina	FWD	1272	40	55	07.87-09.94	■
1.3 D (MN)		Diesel	FWD	1272	33	45	08.86-12.88	■
1.3 D (MN)		Diesel	FWD	1272	33	45	08.86-12.88	■
1.4 D (1W)		Diesel	FWD	1398	35	48	10.90-09.94	■
1.4 D (1W)		Diesel	FWD	1398	35	48	10.90-09.94	■