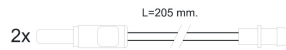
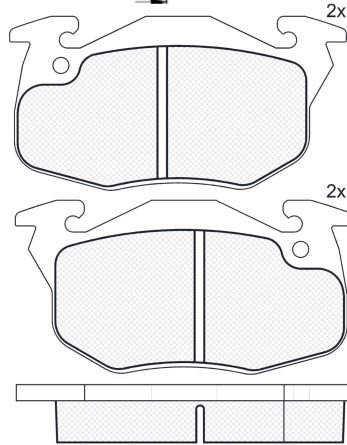
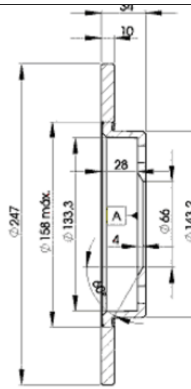


LISTA DE APLICACIONES - BUYERS GUIDE

30633-4689



Weight: 8.010



1 - Ref. 610185 E

30633-4689



Bendix

105.1x54.4x18
Ø247x10x34

WVA
20905

MAKE
PEUGEOT



Trac.	CC	Kw	CV
-------	----	----	----



Front / Rear

PEUGEOT

205 (741B, 20D) 03.86-11.95

Convertible (Supermini car-B Segment)

Model	Gasolina	FWD	CC	Kw	CV	Year Range	Icon
1.1 (H1B (TU1))	Gasolina	FWD	1124	40	54	08.87-12.94	■
1.1 (H1B (TU1))	Gasolina	FWD	1124	40	54	08.87-12.94	■
1.1 CJ (HDZ (TU1M))	Gasolina	FWD	1124	44	60	10.89-12.94	■
1.1 CJ (HDZ (TU1M))	Gasolina	FWD	1124	44	60	10.89-12.94	■
1.4 CJ (150D (XY7))	Gasolina	FWD	1360	44	60	03.88-05.89	■
1.4 CJ (150D (XY7))	Gasolina	FWD	1360	44	60	03.88-05.89	■
1.4 CJ (150G (XY7))	Gasolina	FWD	1360	44	60	03.88-05.89	■
1.4 CJ (150G (XY7))	Gasolina	FWD	1360	44	60	03.88-05.89	■
1.4 CJ (K1D (TU3A))	Gasolina	FWD	1360	49	67	03.89-12.94	■
1.4 CJ (K1D (TU3A))	Gasolina	FWD	1360	49	67	03.89-12.94	■
1.4 (K1D (TU3A))	Gasolina	FWD	1360	50	68	08.87-07.90	■
1.4 (K1D (TU3A))	Gasolina	FWD	1360	50	68	08.87-07.90	■
1.4 CJ (KDY (TU3M))	Gasolina	FWD	1360	55	75	05.91-12.94	■
1.4 CJ (KDY (TU3M))	Gasolina	FWD	1360	55	75	05.91-12.94	■
1.4 CJ (KDZ (TU3M))	Gasolina	FWD	1360	55	75	05.91-12.94	■
1.4 CJ (KDZ (TU3M))	Gasolina	FWD	1360	55	75	05.91-12.94	■
1.4 CT (150B (XY8))	Gasolina	FWD	1360	58	79	04.86-12.88	■
1.4 CT (150B (XY8))	Gasolina	FWD	1360	58	79	04.86-12.88	■
1.4 CT (150H (XY8))	Gasolina	FWD	1360	58	79	04.86-12.88	■
1.4 CT (150H (XY8))	Gasolina	FWD	1360	58	79	04.86-12.88	■
1.4 (K2B (TU3S))	Gasolina	FWD	1360	62	84	08.87-06.94	■
1.4 (K2B (TU3S))	Gasolina	FWD	1360	62	84	08.87-06.94	■
1.4 CJ Cat (KAY (TU3CP))	Gasolina	FWD	1361	44	60	01.89-09.93	■

LISTA DE APLICACIONES - BUYERS GUIDE

1.4 CJ Cat (KAY (TU3CP))		Gasolina	FWD	1361	44	60	01.89-09.93	■
				Hatchback (Supermini car-B Segment)				
205 (741A/C) 02.83-10.87								
1.0 (108C (XV8))	01/85-	Gasolina	FWD	954	33	45	02.83-10.87	■
1.0 (108C (XV8))	01/85-	Gasolina	FWD	954	33	45	02.83-10.87	■
1.0 (TU9)		Gasolina	FWD	954	33	45	10.87-09.98	■
1.0 (TU9)		Gasolina	FWD	954	33	45	10.87-09.98	■
1.0 (CDZ (TU9M))		Gasolina	FWD	954	37	50	08.92-05.97	■
1.0 (CDZ (TU9M))		Gasolina	FWD	954	37	50	08.92-05.97	■
1.1 XA (E1)		Gasolina	FWD	1118	40	54	07.87-10.88	■
1.1 XA (E1)		Gasolina	FWD	1118	40	54	07.87-10.88	■
1.1 (109N (XW7))	01/86-	Gasolina	FWD	1124	36	49	02.83-10.87	■
1.1 (109N (XW7))	01/86-	Gasolina	FWD	1124	36	49	02.83-10.87	■
1.1 (109N (XW7))		Gasolina	FWD	1124	36	49	10.87-10.90	■
1.1 (109N (XW7))		Gasolina	FWD	1124	36	49	10.87-10.90	■
1.1 (109F (XW7))	01/86-	Gasolina	FWD	1124	37	50	02.83-10.87	■
1.1 (109F (XW7))	01/86-	Gasolina	FWD	1124	37	50	02.83-10.87	■
1.1 (H1B (TU1))		Gasolina	FWD	1124	40	54	10.87-07.92	■
1.1 (H1B (TU1))		Gasolina	FWD	1124	40	54	10.87-07.92	■
1.1 (HDZ (TU1M))		Gasolina	FWD	1124	44	60	07.89-09.98	■
1.1 (HDZ (TU1M))		Gasolina	FWD	1124	44	60	07.89-09.98	■
1.2 (F1)		Gasolina	FWD	1204	47	64	01.87-12.90	■
1.2 (F1)		Gasolina	FWD	1204	47	64	01.87-12.90	■
1.3 (G1A)	01/85-	Gasolina	FWD	1294	47	62	02.84-10.87	■
1.3 (G1A)	01/85-	Gasolina	FWD	1294	47	62	02.84-10.87	■
1.3 (G1A)		Gasolina	FWD	1294	47	64	08.90-07.92	■
1.3 (G1A)		Gasolina	FWD	1294	47	64	08.90-07.92	■
1.4 (150D (XY7))	01/85-	Gasolina	FWD	1360	44	60	02.83-10.87	■
1.4 (150D (XY7))	01/85-	Gasolina	FWD	1360	44	60	02.83-10.87	■
1.4 (150G (XY7))	01/85-	Gasolina	FWD	1360	44	60	02.83-10.87	■
1.4 (150G (XY7))	01/85-	Gasolina	FWD	1360	44	60	02.83-10.87	■
1.4 (150D (XY7))		Gasolina	FWD	1360	44	60	10.87-05.89	■
1.4 (150D (XY7))		Gasolina	FWD	1360	44	60	10.87-05.89	■
1.4 (150G (XY7))		Gasolina	FWD	1360	44	60	10.87-05.89	■
1.4 (150G (XY7))		Gasolina	FWD	1360	44	60	10.87-05.89	■
1.4 Cat (KAY (TU3CP))		Gasolina	FWD	1360	44	60	08.87-09.93	■
1.4 Cat (KAY (TU3CP))		Gasolina	FWD	1360	44	60	08.87-09.93	■
1.4 (K1D (TU3A))		Gasolina	FWD	1360	49	67	10.87-10.90	■
1.4 (K1D (TU3A))		Gasolina	FWD	1360	49	67	10.87-10.90	■
1.4 (K1D (TU3A))	-12/90	Gasolina	FWD	1360	50	68	08.90-07.92	■
1.4 (K1D (TU3A))	-12/90	Gasolina	FWD	1360	50	68	08.90-07.92	■
1.4 (150 (XY6B))	01/85-	Gasolina	FWD	1360	53	72	02.83-10.87	■
1.4 (150 (XY6B))	01/85-	Gasolina	FWD	1360	53	72	02.83-10.87	■
1.4 (150 (XY6B))		Gasolina	FWD	1360	53	72	01.87-07.88	■
1.4 (150 (XY6B))		Gasolina	FWD	1360	53	72	01.87-07.88	■
1.4 (KDY (TU3M))		Gasolina	FWD	1360	55	75	07.88-09.98	■
1.4 (KDY (TU3M))		Gasolina	FWD	1360	55	75	07.88-09.98	■
1.4 (KDZ (TU3M))		Gasolina	FWD	1360	55	75	07.88-09.98	■
1.4 (KDZ (TU3M))		Gasolina	FWD	1360	55	75	07.88-09.98	■
1.4 (KFX (TU3JP))		Gasolina	FWD	1360	55	75	07.88-09.98	■
1.4 (KFX (TU3JP))		Gasolina	FWD	1360	55	75	07.88-09.98	■
1.4 (150H (XY8))		Gasolina	FWD	1360	58	79	10.85-10.87	■

LISTA DE APLICACIONES - BUYERS GUIDE

1.4 (150H (XY8))		Gasolina	FWD	1360	58	79	10.85-10.87	■
1.4 (150B (XY8))		Gasolina	FWD	1360	58	79	07.88-05.89	■
1.4 (150B (XY8))		Gasolina	FWD	1360	58	79	07.88-05.89	■
1.4 (150H (XY8))		Gasolina	FWD	1360	58	79	07.88-05.89	■
1.4 (150H (XY8))		Gasolina	FWD	1360	58	79	07.88-05.89	■
1.4 (150B (XY8))	01/85-	Gasolina	FWD	1360	59	80	02.83-10.87	■
1.4 (150B (XY8))	01/85-	Gasolina	FWD	1360	59	80	02.83-10.87	■
1.4 (K2B (TU3S))		Gasolina	FWD	1360	62	84	06.87-12.89	■
1.4 (K2B (TU3S))		Gasolina	FWD	1360	62	84	06.87-12.89	■
1.4 (Y2/K)		Gasolina	FWD	1442	63	86	06.87-12.89	■
1.4 (Y2/K)		Gasolina	FWD	1442	63	86	06.87-12.89	■
1.5 (Y2/K)	01/85-	Gasolina	FWD	1442	63	86	02.84-10.87	■
1.5 (Y2/K)	01/85-	Gasolina	FWD	1442	63	86	02.84-10.87	■
1.6 (B1E (XU51C))		Gasolina	FWD	1580	53	72	03.87-10.87	■
1.6 (B1E (XU51C))		Gasolina	FWD	1580	53	72	03.87-10.87	■
1.6 (B1E (XU51C))		Gasolina	FWD	1580	53	72	10.87-09.98	■
1.6 (B1E (XU51C))		Gasolina	FWD	1580	53	72	10.87-09.98	■
1.6 (B1A (XU51C))		Gasolina	FWD	1580	55	75	08.86-10.87	■
1.6 (B1A (XU51C))		Gasolina	FWD	1580	55	75	08.86-10.87	■
1.6 (BAZ (XU5CP))		Gasolina	FWD	1580	55	75	08.86-10.87	■
1.6 (BAZ (XU5CP))		Gasolina	FWD	1580	55	75	08.86-10.87	■
1.6		Gasolina	FWD	1580	55	75	08.86-10.87	■
1.6		Gasolina	FWD	1580	55	75	08.86-10.87	■
1.6 (B1A (XU51C))		Gasolina	FWD	1580	55	75	10.87-09.98	■
1.6 (B1A (XU51C))		Gasolina	FWD	1580	55	75	10.87-09.98	■
1.6 (BAZ (XU5CP))		Gasolina	FWD	1580	55	75	10.87-09.98	■
1.6 (BAZ (XU5CP))		Gasolina	FWD	1580	55	75	10.87-09.98	■
1.6 Aut. (B1E (XU51C))		Gasolina	FWD	1580	58	79	10.87-09.98	■
1.6 Aut. (B1E (XU51C))		Gasolina	FWD	1580	58	79	10.87-09.98	■
1.6 Aut. (BDY (XU5M2Z))		Gasolina	FWD	1580	65	88	05.90-09.98	■
1.6 Aut. (BDY (XU5M2Z))		Gasolina	FWD	1580	65	88	05.90-09.98	■
1.6 Aut. (BDY (XU5M3Z))		Gasolina	FWD	1580	65	88	05.90-09.98	■
1.6 Aut. (BDY (XU5M3Z))		Gasolina	FWD	1580	65	88	05.90-09.98	■
1.7 Diesel (161A (XUD7))		Diesel	FWD	1769	44	60	08.83-10.87	■
1.7 Diesel (161A (XUD7))		Diesel	FWD	1769	44	60	08.83-10.87	■
1.7 Diesel (161A (XUD7))	-12/89	Diesel	FWD	1769	44	60	07.87-09.98	■
1.7 Diesel (161A (XUD7))	-12/89	Diesel	FWD	1769	44	60	07.87-09.98	■
1.8 TD (A8B (XUD7TE))		Diesel	FWD	1769	57	78	01.90-09.98	■
1.8 TD (A8B (XUD7TE))		Diesel	FWD	1769	57	78	01.90-09.98	■
1.9 Diesel (DJZ (XUD9A))		Diesel	FWD	1905	47	64	10.87-09.98	■
1.9 Diesel (DJZ (XUD9A))		Diesel	FWD	1905	47	64	10.87-09.98	■
1.9 Diesel (XUD9)		Diesel	FWD	1905	51	69	08.87-06.94	■
1.9 Diesel (XUD9)		Diesel	FWD	1905	51	69	08.87-06.94	■
309 (10S, 3S) 10.85-10.93					Hatchback Van (Compact car-C Segment)			
1.1 (E1)		Gasolina	FWD	1118	40	54	09.89-10.91	■
1.1 (E1)		Gasolina	FWD	1118	40	54	09.89-10.91	■
1.1		Gasolina	FWD	1118	43	58	10.85-08.89	■
1.1		Gasolina	FWD	1118	43	58	10.85-08.89	■
1.1 (H1B (TU1))		Gasolina	FWD	1124	40	54	09.89-10.93	■
1.1 (H1B (TU1))		Gasolina	FWD	1124	40	54	09.89-10.93	■
1.3 (G1A)		Gasolina	FWD	1294	47	64	10.85-10.91	■

LISTA DE APLICACIONES - BUYERS GUIDE

1.3 (G1A)		Gasolina	FWD	1294	47	64	10.85-10.91	■	
1.4 (K5A (TU3))		Gasolina	FWD	1360	48	65	09.89-10.93	■	
1.4 (K5A (TU3))		Gasolina	FWD	1360	48	65	09.89-10.93	■	
1.4 (KDY (TU3M))		Gasolina	FWD	1360	55	75	09.89-10.93	■	
1.4 (KDY (TU3M))		Gasolina	FWD	1360	55	75	09.89-10.93	■	
1.8 D (A9A (XUD7))		Diesel	FWD	1769	44	60	05.87-10.93	■	
1.8 D (A9A (XUD7))		Diesel	FWD	1769	44	60	05.87-10.93	■	
309 (10C, 10A) 10.85-12.89							Hatchback (Compact car-C Segment)		
1.1 (E1)		Gasolina	FWD	1118	40	54	10.85-07.89	■	
1.1 (E1)		Gasolina	FWD	1118	40	54	10.85-07.89	■	
1.1 (H1B (TU1))		Gasolina	FWD	1124	40	54	09.89-10.93	■	
1.1 (H1B (TU1))		Gasolina	FWD	1124	40	54	09.89-10.93	■	
1.1 (HDZ (TU1M))		Gasolina	FWD	1124	44	60	08.90-12.93	■	
1.1 (HDZ (TU1M))		Gasolina	FWD	1124	44	60	08.90-12.93	■	
1.3 (G1A)		Gasolina	FWD	1294	47	64	10.85-07.89	■	
1.3 (G1A)		Gasolina	FWD	1294	47	64	10.85-07.89	■	
1.3 XL		Gasolina	FWD	1294	52	71	09.86-08.89	■	
1.3 XL		Gasolina	FWD	1294	52	71	09.86-08.89	■	
1.4 (K1D (TU3A))		Gasolina	FWD	1360	49	67	03.89-07.89	■	
1.4 (K1D (TU3A))		Gasolina	FWD	1360	49	67	03.89-07.89	■	
1.4 (K1D (TU3A))		Gasolina	FWD	1360	49	67	07.90-12.93	■	
1.4 (K1D (TU3A))		Gasolina	FWD	1360	49	67	07.90-12.93	■	
1.4 (KDY (TU3M))		Gasolina	FWD	1360	55	75	03.89-07.89	■	
1.4 (KDY (TU3M))		Gasolina	FWD	1360	55	75	03.89-07.89	■	
1.4 (KDZ (TU3M))		Gasolina	FWD	1360	55	75	03.89-07.89	■	
1.4 (KDZ (TU3M))		Gasolina	FWD	1360	55	75	03.89-07.89	■	
1.4 (KDY (TU3M))		Gasolina	FWD	1360	55	75	07.89-12.93	■	
1.4 (KDY (TU3M))		Gasolina	FWD	1360	55	75	07.89-12.93	■	
1.4 (KDZ (TU3M))		Gasolina	FWD	1360	55	75	07.89-12.93	■	
1.4 (KDZ (TU3M))		Gasolina	FWD	1360	55	75	07.89-12.93	■	
1.4 (K2B (TU3S))		Gasolina	FWD	1360	62	84	08.88-08.89	■	
1.4 (K2B (TU3S))		Gasolina	FWD	1360	62	84	08.88-08.89	■	
1.4		Gasolina	FWD	1442	48	65	10.85-08.88	■	
1.4		Gasolina	FWD	1442	48	65	10.85-08.88	■	
1.5 (Y2/K)		Gasolina	FWD	1442	63	86	06.87-12.89	■	
1.5 (Y2/K)		Gasolina	FWD	1442	63	86	06.87-12.89	■	
1.6		Gasolina	FWD	1580	83	113	07.86-06.89	■	
1.6		Gasolina	FWD	1580	83	113	07.86-06.89	■	
1.6 GTI		Gasolina	FWD	1580	85	116	09.89-10.93	■	
1.6 GTI		Gasolina	FWD	1580	85	116	09.89-10.93	■	
1.9 Diesel (162 (XUD9))		Diesel	FWD	1905	47	64	07.89-12.93	■	
1.9 Diesel (162 (XUD9))		Diesel	FWD	1905	47	64	07.89-12.93	■	
1.9 Diesel (D9A (XUD9))		Diesel	FWD	1905	47	64	07.89-12.93	■	
1.9 Diesel (D9A (XUD9))		Diesel	FWD	1905	47	64	07.89-12.93	■	
1.9 Diesel (DJZ (XUD9A))		Diesel	FWD	1905	47	64	07.89-12.93	■	
1.9 Diesel (DJZ (XUD9A))		Diesel	FWD	1905	47	64	07.89-12.93	■	