

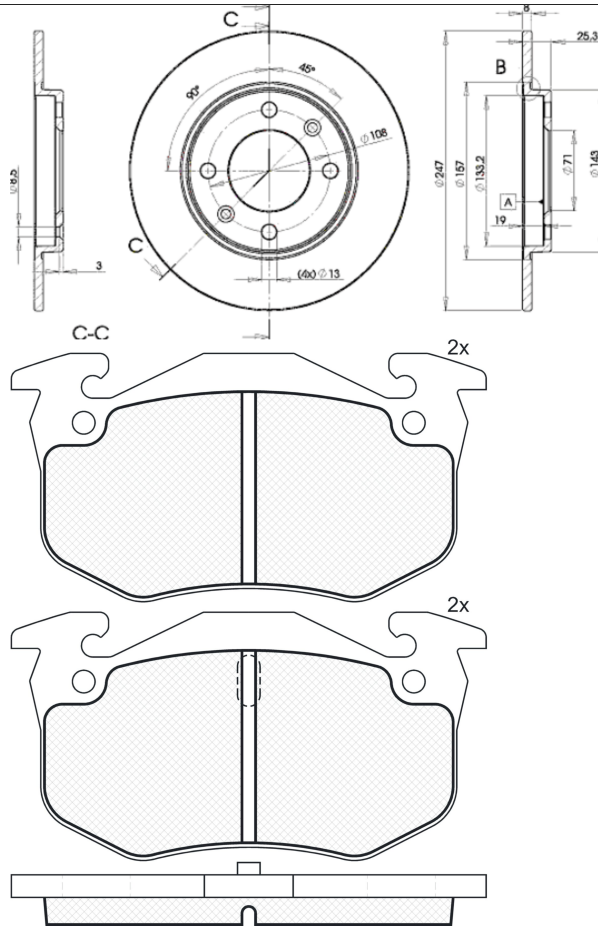
LISTA DE APLICACIONES - BUYERS GUIDE

30649-4247



8 424073 103086

Weight: 6.945



30649-4247



Bendix

105.1x54.9x11

Ø247x8x25.3

WVA

20973

MAKE

CITROËN

PEUGEOT



Trac.

CC

Kw

CV



Front / Rear

CITROËN

SAXO / CHANSON (S0, S1) 02.96-04.04

Hatchback (Supermini car-B Segment)

Engine	Transmission	CC	Kw	CV	Period	Position
1.6 VTS (NFT (TU5JP))	Gasolina FWD	1587	72	98	09.00-09.03	■
1.6 VTS (NFT (TU5JP))	Gasolina FWD	1587	72	98	09.00-09.03	■
1.6 (NFT (TU5JP))	Gasolina FWD	1587	74	101	02.01-04.04	■
1.6 (NFT (TU5JP))	Gasolina FWD	1587	74	101	02.01-04.04	■
1.6 VTR	Gasolina FWD	1587	80	109	05.96-07.99	■
1.6 VTR	Gasolina FWD	1587	80	109	05.96-07.99	■
1.6 VTS (NFX (TU5JP4))	Gasolina FWD	1587	87	118	06.96-09.03	■
1.6 VTS (NFX (TU5JP4))	Gasolina FWD	1587	87	118	06.96-09.03	■
1.6 (NFX (TU5JP4))	Gasolina FWD	1587	88	120	02.96-04.04	■
1.6 (NFX (TU5JP4))	Gasolina FWD	1587	88	120	02.96-04.04	■

XSARA (N0) 01.98-04.05

Coupe (Compact car-C Segment)

Engine	Transmission	CC	Kw	CV	Period	Position
1.6 16V (NFU (TU5JP4))	Gasolina FWD	1587	80	109	09.00-03.05	■
1.6 16V (NFU (TU5JP4))	Gasolina FWD	1587	80	109	09.00-03.05	■
1.8 i 16V (LFY (XU7JP4))	Gasolina FWD	1761	81	110	02.98-09.00	■
1.8 i 16V (LFY (XU7JP4))	Gasolina FWD	1761	81	110	02.98-09.00	■
2.0 16V (RFN (EW10J4))	Gasolina FWD	1997	100	136	09.00-03.05	■
2.0 16V (RFN (EW10J4))	Gasolina FWD	1997	100	136	09.00-03.05	■
2.0	Gasolina FWD	1998	97	132	08.98-08.00	■
2.0	Gasolina FWD	1998	97	132	08.98-08.00	■
2.0 i 16V (RFS (XU10J4RS))	Gasolina FWD	1998	120	163	02.98-03.05	■
2.0 i 16V (RFS (XU10J4RS))	Gasolina FWD	1998	120	163	02.98-03.05	■
2.0 HDI 90 (RHY (DW10TD))	Diesel FWD	1997	66	90	02.99-03.05	■

LISTA DE APLICACIONES - BUYERS GUIDE

2.0 HDI 90 (RHY (DW10TD))		Diesel	FWD	1997	66	90	02.99-03.05	■	
2.0 HDI 109 (RHZ (DW10ATED))		Diesel	FWD	1997	80	109	05.01-03.05	■	
2.0 HDI 109 (RHZ (DW10ATED))		Diesel	FWD	1997	80	109	05.01-03.05	■	
							Estate Van (Compact car-C Segment)		
XSARA 05.98-08.05									
2.0 HDi (RHY (DW10TD))		Diesel	FWD	1997	66	90	09.00-03.05	■	
2.0 HDi (RHY (DW10TD))		Diesel	FWD	1997	66	90	09.00-03.05	■	
							Estate (Compact car-C Segment)		
XSARA (N2) 10.97-03.10									
1.6 16V (NFU (TU5JP4))		Gasolina	FWD	1587	80	109	09.00-08.05	■	
1.6 16V (NFU (TU5JP4))		Gasolina	FWD	1587	80	109	09.00-08.05	■	
1.8 i 16V (LFY (XU7JP4))		Gasolina	FWD	1761	81	110	10.97-09.00	■	
1.8 i 16V (LFY (XU7JP4))		Gasolina	FWD	1761	81	110	10.97-09.00	■	
2.0 16V (RFN (EW10J4))		Gasolina	FWD	1997	100	136	09.00-08.05	■	
2.0 16V (RFN (EW10J4))		Gasolina	FWD	1997	100	136	09.00-08.05	■	
2.0 16V (RFV (XU10J4R))		Gasolina	FWD	1998	97	132	07.98-09.00	■	
2.0 16V (RFV (XU10J4R))		Gasolina	FWD	1998	97	132	07.98-09.00	■	
2.0 HDI 90 (RHY (DW10TD))		Diesel	FWD	1997	66	90	02.99-08.05	■	
2.0 HDI 90 (RHY (DW10TD))		Diesel	FWD	1997	66	90	02.99-08.05	■	
2.0 HDI 109 (RHZ (DW10ATED))		Diesel	FWD	1997	80	109	05.01-08.05	■	
2.0 HDI 109 (RHZ (DW10ATED))		Diesel	FWD	1997	80	109	05.01-08.05	■	
							Hatchback (Compact car-C Segment)		
XSARA (N1) 04.97-12.05									
1.8 i 16V (LFY (XU7JP4))		Gasolina	FWD	1761	81	110	04.97-09.00	■	
1.8 i 16V (LFY (XU7JP4))		Gasolina	FWD	1761	81	110	04.97-09.00	■	
2.0 16V (RFN (EW10J4))		Gasolina	FWD	1997	100	136	09.00-03.05	■	
2.0 16V (RFN (EW10J4))		Gasolina	FWD	1997	100	136	09.00-03.05	■	
2.0 16V (RFV (XU10J4R))		Gasolina	FWD	1998	97	132	07.98-09.00	■	
2.0 16V (RFV (XU10J4R))		Gasolina	FWD	1998	97	132	07.98-09.00	■	
2.0 16V		Gasolina	FWD	1998	120	163	04.97-09.00	■	
2.0 16V		Gasolina	FWD	1998	120	163	04.97-09.00	■	
2.0 HDI 90 (RHY (DW10TD))		Diesel	FWD	1997	66	90	02.99-03.05	■	
2.0 HDI 90 (RHY (DW10TD))		Diesel	FWD	1997	66	90	02.99-03.05	■	
2.0 HDI 109 (RHZ (DW10ATED))		Diesel	FWD	1997	80	109	05.01-03.05	■	
2.0 HDI 109 (RHZ (DW10ATED))		Diesel	FWD	1997	80	109	05.01-03.05	■	
							Estate (Compact car-C Segment)		
ZX (N2) 10.93-07.99									
1.8 i (LFZ (XU7JP))		Gasolina	FWD	1761	74	101	10.93-10.97	■	
1.8 i (LFZ (XU7JP))		Gasolina	FWD	1761	74	101	10.93-10.97	■	
1.8 i 16V (LFY (XU7JP4))		Gasolina	FWD	1761	81	110	01.96-02.98	■	
1.8 i 16V (LFY (XU7JP4))		Gasolina	FWD	1761	81	110	01.96-02.98	■	
1.9 TD (DHY (XUD9TE/Y))		Diesel	FWD	1905	66	90	10.93-10.97	■	
1.9 TD (DHY (XUD9TE/Y))		Diesel	FWD	1905	66	90	10.93-10.97	■	
							Hatchback (Compact car-C Segment)		
ZX (N2) 03.91-07.99									
1.6 i (BDY (XU5M))	01/94-	Gasolina	FWD	1580	65	88	03.91-06.97	■	
1.6 i (BDY (XU5M))	01/94-	Gasolina	FWD	1580	65	88	03.91-06.97	■	
1.6 i (BFZ (XU5JP))	01/94-	Gasolina	FWD	1580	65	88	03.91-06.97	■	
1.6 i (BFZ (XU5JP))	01/94-	Gasolina	FWD	1580	65	88	03.91-06.97	■	
1.8 i (LFZ (XU7JP))		Gasolina	FWD	1761	74	101	07.92-06.97	■	
1.8 i (LFZ (XU7JP))		Gasolina	FWD	1761	74	101	07.92-06.97	■	
1.9 i (DKZ (XU9JA))		Gasolina	FWD	1905	88	120	03.91-06.97	■	
1.9 i (DKZ (XU9JA))		Gasolina	FWD	1905	88	120	03.91-06.97	■	
1.9 (D6E (XU9JA))	01/92-	Gasolina	FWD	1905	96	131	03.91-09.93	■	

LISTA DE APLICACIONES - BUYERS GUIDE

1.9 (D6E (XU9JA))	01/92-	Gasolina	FWD	1905	96	131	03.91-09.93	■
2.0 i 16V (RFT (XU10J4/Z))		Gasolina	FWD	1998	110	150	06.94-06.97	■
2.0 i 16V (RFT (XU10J4/Z))		Gasolina	FWD	1998	110	150	06.94-06.97	■
2.0 i 16V (RFS (XU10J4RS))		Gasolina	FWD	1998	120	163	05.96-06.97	■
2.0 i 16V (RFS (XU10J4RS))		Gasolina	FWD	1998	120	163	05.96-06.97	■
PEUGEOT								
106 II (1A_, 1C_) 04.96-05.05						Hatchback (Supermini car-B Segment)		
1.6 i (NFW (TU5J2))	-12/99	Gasolina	FWD	1587	74	101	05.96-01.01	■
1.6 i (NFW (TU5J2))	-12/99	Gasolina	FWD	1587	74	101	05.96-01.01	■
1.6 i (NFY (TU5J2))	-12/99	Gasolina	FWD	1587	74	101	05.96-01.01	■
1.6 i (NFY (TU5J2))	-12/99	Gasolina	FWD	1587	74	101	05.96-01.01	■
1.6 S16 (NFX (TU5J4))	-12/99	Gasolina	FWD	1587	87	118	05.96-07.04	■
1.6 S16 (NFX (TU5J4))	-12/99	Gasolina	FWD	1587	87	118	05.96-07.04	■
206 (2D) 09.00-						Convertible (Supermini car-B Segment)		
1.6 16V (2DNFUF, 2DNFUR) (NFU (TU5JP4))	-12/06	Gasolina	FWD	1587	80	109	09.00-12.07	■
1.6 16V (2DNFUF, 2DNFUR) (NFU (TU5JP4))	-12/06	Gasolina	FWD	1587	80	109	09.00-12.07	■
2.0 S16 (RFN (EW10J4))	-12/06	Gasolina	FWD	1997	100	136	09.00-12.07	■
2.0 S16 (RFN (EW10J4))	-12/06	Gasolina	FWD	1997	100	136	09.00-12.07	■
1.6 HDi 110 (9HZ (DV6TED4))	-12/06	Diesel	FWD	1560	80	109	04.05-02.07	■
1.6 HDi 110 (9HZ (DV6TED4))	-12/06	Diesel	FWD	1560	80	109	04.05-02.07	■
206 (2A/C) 08.98-						Hatchback (Supermini car-B Segment)		
1.6 16V (NFU (TU5JP4))	-12/06	Gasolina	FWD	1587	80	109	07.00-04.09	■
1.6 16V (NFU (TU5JP4))	-12/06	Gasolina	FWD	1587	80	109	07.00-04.09	■
2.0 S16 (RFR (EW10J4))		Gasolina	FWD	1997	99	135	04.99-10.00	■
2.0 S16 (RFR (EW10J4))		Gasolina	FWD	1997	99	135	04.99-10.00	■
2.0 S16 (RFN (EW10J4))	-12/06	Gasolina	FWD	1997	100	136	06.99-12.07	■
2.0 S16 (RFN (EW10J4))	-12/06	Gasolina	FWD	1997	100	136	06.99-12.07	■
2.0 RC (RFK (EW10J4S))	-12/06	Gasolina	FWD	1997	130	177	07.03-12.07	■
2.0 RC (RFK (EW10J4S))	-12/06	Gasolina	FWD	1997	130	177	07.03-12.07	■
1.6 HDi 110 (9HY (DV6TED4))	-12/06	Diesel	FWD	1560	80	109	05.04-02.07	■
1.6 HDi 110 (9HY (DV6TED4))	-12/06	Diesel	FWD	1560	80	109	05.04-02.07	■
1.6 HDi 110 (9HZ (DV6TED4))	-12/06	Diesel	FWD	1560	80	109	05.04-02.07	■
1.6 HDi 110 (9HZ (DV6TED4))	-12/06	Diesel	FWD	1560	80	109	05.04-02.07	■
206 03.07-						Saloon (Supermini car-B Segment)		
1.6 16V (NFU (TU5JP4))		Gasolina	FWD	1587	80	109	03.07-	■
1.6 16V (NFU (TU5JP4))		Gasolina	FWD	1587	80	109	03.07-	■
206 SW (2E/K) 07.02-						Estate (Supermini car-B Segment)		
2.0 16V (RFN (EW10J4))	-12/06	Gasolina	FWD	1997	100	136	07.02-02.07	■
2.0 16V (RFN (EW10J4))	-12/06	Gasolina	FWD	1997	100	136	07.02-02.07	■
1.6 HDi 110 (9HZ (DV6TED4))	-12/09	Diesel	FWD	1560	80	109	05.04-	■
1.6 HDi 110 (9HZ (DV6TED4))	-12/09	Diesel	FWD	1560	80	109	05.04-	■
306 (7D, N3, N5) 01.94-04.02						Convertible (Compact car-C Segment)		
1.8 16V (LFY (XU7JP4))		Gasolina	FWD	1761	81	110	05.97-04.02	■
1.8 16V (LFY (XU7JP4))		Gasolina	FWD	1761	81	110	05.97-04.02	■
2.0 (RFX (XU10J2))	-12/97	Gasolina	FWD	1998	89	121	03.94-04.02	■
2.0 (RFX (XU10J2))	-12/97	Gasolina	FWD	1998	89	121	03.94-04.02	■
2.0 16V (RFV (XU10J4R))		Gasolina	FWD	1998	97	132	03.97-04.02	■
2.0 16V (RFV (XU10J4R))		Gasolina	FWD	1998	97	132	03.97-04.02	■

LISTA DE APLICACIONES - BUYERS GUIDE

306 (7E, N3, N5) 06.94-12.02					Estate (Compact car-C Segment)			
1.8 16V (LFY (XU7JP4))		Gasolina	FWD	1761	81	110	03.97-04.02	■
1.8 16V (LFY (XU7JP4))		Gasolina	FWD	1761	81	110	03.97-04.02	■
2.0 (RFV (XU10J4R))	-12/01	Gasolina	FWD	1998	97	132	03.97-04.02	■
2.0 (RFV (XU10J4R))	-12/01	Gasolina	FWD	1998	97	132	03.97-04.02	■
2.0 HDI 90 (RHY (DW10TD))	01/00-	Diesel	FWD	1997	66	90	06.99-04.02	■
2.0 HDI 90 (RHY (DW10TD))	01/00-	Diesel	FWD	1997	66	90	06.99-04.02	■
306 (7A, 7C, N3, N5) 01.93-10.03					Hatchback (Compact car-C Segment)			
1.8 16V (LFY (XU7JP4))		Gasolina	FWD	1761	81	110	03.97-05.01	■
1.8 16V (LFY (XU7JP4))		Gasolina	FWD	1761	81	110	03.97-05.01	■
1.8 16V		Gasolina	FWD	1761	86	117	10.99-10.03	■
1.8 16V		Gasolina	FWD	1761	86	117	10.99-10.03	■
2.0 16V (RFV (XU10J4R))		Gasolina	FWD	1998	97	132	03.97-05.01	■
2.0 16V (RFV (XU10J4R))		Gasolina	FWD	1998	97	132	03.97-05.01	■
2.0 16V (RFV (XU10J4R))		Gasolina	FWD	1998	99	135	03.97-06.00	■
2.0 16V (RFV (XU10J4R))		Gasolina	FWD	1998	99	135	03.97-06.00	■
2.0 S16 (RFT (XU10J4))	-12/97	Gasolina	FWD	1998	110	150	06.94-05.01	■
2.0 S16 (RFT (XU10J4))	-12/97	Gasolina	FWD	1998	110	150	06.94-05.01	■
2.0 S16 (RFY (XU10J4Z))	-12/97	Gasolina	FWD	1998	110	150	06.94-05.01	■
2.0 S16 (RFY (XU10J4Z))	-12/97	Gasolina	FWD	1998	110	150	06.94-05.01	■
2.0 S16 (RFY (XU10J4Z))	01/94-	Gasolina	FWD	1998	112	152	05.93-05.01	■
2.0 S16 (RFY (XU10J4Z))	01/94-	Gasolina	FWD	1998	112	152	05.93-05.01	■
2.0 S16 (RFS (XU10J4RS))		Gasolina	FWD	1998	120	163	06.96-05.01	■
2.0 S16 (RFS (XU10J4RS))		Gasolina	FWD	1998	120	163	06.96-05.01	■
2.0		Gasolina	FWD	1998	123	167	01.98-05.00	■
2.0		Gasolina	FWD	1998	123	167	01.98-05.00	■
2.0 HDI 90 (RHY (DW10TD))	01/00-	Diesel	FWD	1997	66	90	06.99-12.02	■
2.0 HDI 90 (RHY (DW10TD))	01/00-	Diesel	FWD	1997	66	90	06.99-12.02	■
306 (7B, N3, N5) 04.93-10.03					Saloon (Compact car-C Segment)			
1.8 16V (LFY (XU7JP4))		Gasolina	FWD	1761	81	110	03.97-05.01	■
1.8 16V (LFY (XU7JP4))		Gasolina	FWD	1761	81	110	03.97-05.01	■
2.0 (RFV (XU10J4R))		Gasolina	FWD	1998	97	132	03.97-05.01	■
2.0 (RFV (XU10J4R))		Gasolina	FWD	1998	97	132	03.97-05.01	■
2.0 S16 (RFT (XU10J4))	-12/97	Gasolina	FWD	1998	110	150	06.94-05.01	■
2.0 S16 (RFT (XU10J4))	-12/97	Gasolina	FWD	1998	110	150	06.94-05.01	■
2.0 S16 (RFY (XU10J4Z))	-12/97	Gasolina	FWD	1998	112	152	06.94-05.01	■
2.0 S16 (RFY (XU10J4Z))	-12/97	Gasolina	FWD	1998	112	152	06.94-05.01	■
2.0 HDI 90 (RHY (DW10TD))	01/00-	Diesel	FWD	1997	66	90	06.99-12.01	■
2.0 HDI 90 (RHY (DW10TD))	01/00-	Diesel	FWD	1997	66	90	06.99-12.01	■