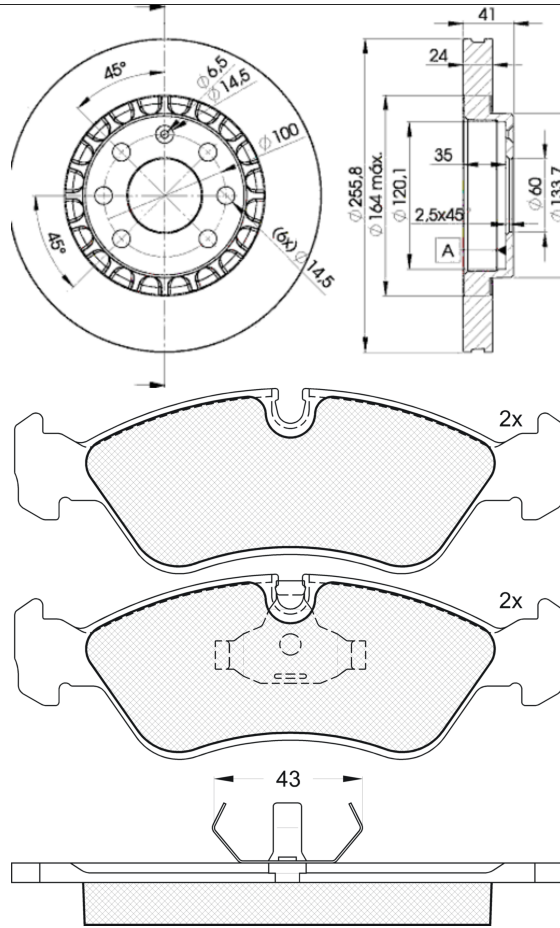


LISTA DE APLICACIONES - BUYERS GUIDE

30758-9042



Weight: 12.310



30758-9042



Ate - Teves

156.5x52.6x17.5
Ø256x24x41

WVA
21190

MAKE

DAEWOO
OPEL
VAUXHALL



Trac.	CC	Kw	CV
-------	----	----	----



Front / Rear

DAEWOO

ARANOS 01.95-11.97

Saloon (Executive car-E Segment)

Model	Engine	Trac.	CC	Kw	CV	Period	Front	Rear
1.5 (V15L)	Gasolina	FWD	1498	66	90	01.95-11.97	■	■
1.5 (V15L)	Gasolina	FWD	1498	66	90	01.95-11.97	■	■
1.8 (Y18L)	Gasolina	FWD	1796	70	95	01.95-11.97	■	■
1.8 (Y18L)	Gasolina	FWD	1796	70	95	01.95-11.97	■	■
2.0 (C20LE)	Gasolina	FWD	1998	77	105	01.95-11.97	■	■
2.0 (C20LE)	Gasolina	FWD	1998	77	105	01.95-11.97	■	■

CIELO 06.94-12.07

Saloon (Supermini car-B Segment)

Model	Engine	Trac.	CC	Kw	CV	Period	Front	Rear
1.5 (Y15L)	Gasolina	FWD	1498	55	75	04.95-12.02	■	■
1.5 (Y15L)	Gasolina	FWD	1498	55	75	04.95-12.02	■	■
1.5 (V15L)	Gasolina	FWD	1498	66	90	06.94-07.98	■	■
1.5 (V15L)	Gasolina	FWD	1498	66	90	06.94-07.98	■	■

ESPERO (KLEJ) 10.91-09.99

Saloon (Executive car-E Segment)

Model	Engine	Trac.	CC	Kw	CV	Period	Front	Rear
1.5	Gasolina	FWD	1498	55	75	10.97-09.99	■	■
1.5	Gasolina	FWD	1498	55	75	10.97-09.99	■	■
1.5 16V (A15MF)	Gasolina	FWD	1498	65	88	10.93-09.94	■	■
1.5 16V (A15MF)	Gasolina	FWD	1498	65	88	10.93-09.94	■	■
1.5 16V (A15MF)	Gasolina	FWD	1498	66	90	02.95-06.99	■	■
1.5 16V (A15MF)	Gasolina	FWD	1498	66	90	02.95-06.99	■	■
1.8 (C18LE)	Gasolina	FWD	1796	66	90	02.95-09.99	■	■
1.8 (C18LE)	Gasolina	FWD	1796	66	90	02.95-09.99	■	■
1.8 (C18LE)	Gasolina	FWD	1796	70	95	02.95-06.99	■	■
1.8 (C18LE)	Gasolina	FWD	1796	70	95	02.95-06.99	■	■

LISTA DE APLICACIONES - BUYERS GUIDE

2.0 (C20LZ)		Gasolina	FWD	1998	74	101	10.91-09.93	■	
2.0 (C20LZ)		Gasolina	FWD	1998	74	101	10.91-09.93	■	
2.0 (C20LE)		Gasolina	FWD	1998	77	105	02.95-06.99	■	
2.0 (C20LE)		Gasolina	FWD	1998	77	105	02.95-06.99	■	
2.0 (C20LE)		Gasolina	FWD	1998	81	110	10.93-12.97	■	
2.0 (C20LE)		Gasolina	FWD	1998	81	110	10.93-12.97	■	
LANOS (KLAT) 02.97-					Saloon (Supermini car-B Segment)				
1.6 16V (L44(98CUL4))	-12/99	Gasolina	FWD	1598	78	106	02.97-	■	
1.6 16V (L44(98CUL4))	-12/99	Gasolina	FWD	1598	78	106	02.97-	■	
LANOS / SENS (KLAT) 04.97-					Hatchback (Supermini car-B Segment)				
1.6 16V (L44(98CUL4))	-12/99	Gasolina	FWD	1598	78	106	05.97-	■	
1.6 16V (L44(98CUL4))	-12/99	Gasolina	FWD	1598	78	106	05.97-	■	
NEXIA / CIELO 02.95-08.97					Hatchback (Supermini car-B Segment)				
1.5 16V (08, 68) (A15MF)		Gasolina	FWD	1498	66	90	02.95-08.97	■	
1.5 16V (08, 68) (A15MF)		Gasolina	FWD	1498	66	90	02.95-08.97	■	
NEXIA / CIELO 02.95-06.08					Saloon (Supermini car-B Segment)				
1.5 16V (19) (A15MF)		Gasolina	FWD	1498	66	90	02.95-08.97	■	
1.5 16V (19) (A15MF)		Gasolina	FWD	1498	66	90	02.95-08.97	■	
OPEL									
ASTRA F (T92) 03.93-03.01					Convertible (Compact car-C Segment)				
2.0 i (C 20 NE)		Gasolina	FWD	1998	85	115	03.93-10.94	■	
2.0 i (C 20 NE)		Gasolina	FWD	1998	85	115	03.93-10.94	■	
ASTRA F (T92) 09.91-01.01					Estate (Compact car-C Segment)				
1.6 i 16V (F35, M35) (X 16 XEL)	01/95-	Gasolina	FWD	1598	74	100	08.94-01.98	■	
1.6 i 16V (F35, M35) (X 16 XEL)	01/95-	Gasolina	FWD	1598	74	100	08.94-01.98	■	
1.8 i 16V (F35, M35) (C 18 XE)	-12/94	Gasolina	FWD	1799	92	125	06.93-01.98	■	
1.8 i 16V (F35, M35) (C 18 XE)	-12/94	Gasolina	FWD	1799	92	125	06.93-01.98	■	
2.0 i (F35, M35) (C 20 NE)		Gasolina	FWD	1998	85	115	09.91-07.94	■	
2.0 i (F35, M35) (C 20 NE)		Gasolina	FWD	1998	85	115	09.91-07.94	■	
ASTRA F (T92) 09.91-10.00					Hatchback (Compact car-C Segment)				
1.4 (F08, M08, F68, M68) (14 SE)	-12/94	Gasolina	FWD	1389	60	82	09.92-01.98	■	
1.4 (F08, M08, F68, M68) (14 SE)	-12/94	Gasolina	FWD	1389	60	82	09.92-01.98	■	
1.4 Si (F08, M08, F68, M68) (C 14 SE)	-12/94	Gasolina	FWD	1389	60	82	03.92-01.98	■	
1.4 Si (F08, M08, F68, M68) (C 14 SE)	-12/94	Gasolina	FWD	1389	60	82	03.92-01.98	■	
1.6 i 16V (F08, M08, F68, M68) (X 16 XEL)	01/95-	Gasolina	FWD	1598	74	100	08.94-01.98	■	
1.6 i 16V (F08, M08, F68, M68) (X 16 XEL)	01/95-	Gasolina	FWD	1598	74	100	08.94-01.98	■	
1.8 (F08, M08, F68, M68) (18 SE)		Gasolina	FWD	1796	85	116	11.91-07.93	■	
1.8 (F08, M08, F68, M68) (18 SE)		Gasolina	FWD	1796	85	116	11.91-07.93	■	
1.8 i 16V (F08, M08, F68, M68) (C 18 XE)		Gasolina	FWD	1799	92	125	06.93-08.94	■	
1.8 i 16V (F08, M08, F68, M68) (C 18 XE)		Gasolina	FWD	1799	92	125	06.93-08.94	■	
2.0 i (F08, M08, F68, M68) (C 20 NE)	-12/94	Gasolina	FWD	1998	85	115	09.91-01.98	■	
2.0 i (F08, M08, F68, M68) (C 20 NE)	-12/94	Gasolina	FWD	1998	85	115	09.91-01.98	■	
2.0 GSI 16V (F08, M08, F68, M68) (C 20 XE)	-12/94	Gasolina	FWD	1998	110	150	09.91-01.98	■	
2.0 GSI 16V (F08, M08, F68, M68) (C 20 XE)	-12/94	Gasolina	FWD	1998	110	150	09.91-01.98	■	
1.7 TDS (F08, M08, F68, M68) (17 TD)	-12/94	Diesel	FWD	1686	60	82	12.91-01.98	■	
1.7 TDS (F08, M08, F68, M68) (17 TD)	-12/94	Diesel	FWD	1686	60	82	12.91-01.98	■	
1.7 D (F08, M08, F68, M68) (17 D)		Diesel	FWD	1699	42	57	12.91-09.92	■	
1.7 D (F08, M08, F68, M68) (17 D)		Diesel	FWD	1699	42	57	12.91-09.92	■	

LISTA DE APLICACIONES - BUYERS GUIDE

1.7 D (F08, M08, F68, M68) (17 DR)	-12/94	Diesel	FWD	1699	44	60	07.92-01.98	■
1.7 D (F08, M08, F68, M68) (17 DR)	-12/94	Diesel	FWD	1699	44	60	07.92-01.98	■
ASTRA F (T92) 09.91-01.01				Saloon (Compact car-C Segment)				
1.4 (F19, M19) (14 SE)	-12/94	Gasolina	FWD	1389	60	82	09.92-09.98	■
1.4 (F19, M19) (14 SE)	-12/94	Gasolina	FWD	1389	60	82	09.92-09.98	■
1.4 Si (F19, M19) (C 14 SE)	-12/94	Gasolina	FWD	1389	60	82	03.92-09.98	■
1.4 Si (F19, M19) (C 14 SE)	-12/94	Gasolina	FWD	1389	60	82	03.92-09.98	■
1.6 i 16V (F19, M19) (X 16 XEL)	01/95-	Gasolina	FWD	1598	74	100	08.94-09.98	■
1.6 i 16V (F19, M19) (X 16 XEL)	01/95-	Gasolina	FWD	1598	74	100	08.94-09.98	■
1.8 i 16V (F19, M19) (C 18 XE)		Gasolina	FWD	1799	92	125	06.93-10.94	■
1.8 i 16V (F19, M19) (C 18 XE)		Gasolina	FWD	1799	92	125	06.93-10.94	■
2.0 i (F19, M19) (C 20 NE)	-12/94	Gasolina	FWD	1998	85	115	03.92-09.98	■
2.0 i (F19, M19) (C 20 NE)	-12/94	Gasolina	FWD	1998	85	115	03.92-09.98	■
1.7 TDS (F19, M19) (17 TD)	-12/94	Diesel	FWD	1686	60	82	03.92-09.98	■
1.7 TDS (F19, M19) (17 TD)	-12/94	Diesel	FWD	1686	60	82	03.92-09.98	■
1.7 D (F19, M19) (17 D)		Diesel	FWD	1699	42	57	03.92-09.92	■
1.7 D (F19, M19) (17 D)		Diesel	FWD	1699	42	57	03.92-09.92	■
1.7 D (F19, M19) (17 DR)	-12/94	Diesel	FWD	1699	44	60	07.92-09.98	■
1.7 D (F19, M19) (17 DR)	-12/94	Diesel	FWD	1699	44	60	07.92-09.98	■
KADETT E (T85) 10.86-02.93				Convertible (Compact car-C Segment)				
2.0 i (20 NE)		Gasolina	FWD	1998	85	115	10.86-02.93	■
2.0 i (20 NE)		Gasolina	FWD	1998	85	115	10.86-02.93	■
2.0 i (20 SER)		Gasolina	FWD	1998	85	115	10.86-02.93	■
2.0 i (20 SER)		Gasolina	FWD	1998	85	115	10.86-02.93	■
KADETT E (T85) 09.84-08.91				Estate (Compact car-C Segment)				
1.8 S (C15, C35, D15, D35) (E 18 NV)	01/89-	Gasolina	FWD	1796	62	84	09.87-08.91	■
1.8 S (C15, C35, D15, D35) (E 18 NV)	01/89-	Gasolina	FWD	1796	62	84	09.87-08.91	■
1.8 S (C15, C35, D15, D35) (S 18 NV)	01/89-	Gasolina	FWD	1796	62	84	09.87-08.91	■
1.8 S (C15, C35, D15, D35) (S 18 NV)	01/89-	Gasolina	FWD	1796	62	84	09.87-08.91	■
1.8 i (C15, C35, D15, D35) (C 18 NT)	01/89-	Gasolina	FWD	1796	66	90	06.85-08.91	■
1.8 i (C15, C35, D15, D35) (C 18 NT)	01/89-	Gasolina	FWD	1796	66	90	06.85-08.91	■
1.8 i (C15, C35, D15, D35) (C 18 NZ)	01/89-	Gasolina	FWD	1796	66	90	06.85-08.91	■
1.8 i (C15, C35, D15, D35) (C 18 NZ)	01/89-	Gasolina	FWD	1796	66	90	06.85-08.91	■
2.0 i (C15, C35, D15, D35) (20 NE)		Gasolina	FWD	1998	85	115	09.87-08.91	■
2.0 i (C15, C35, D15, D35) (20 NE)		Gasolina	FWD	1998	85	115	09.87-08.91	■
2.0 i Cat (C15, C35, D15, D35) (C 20 NE)		Gasolina	FWD	1998	85	115	09.87-08.91	■
2.0 i Cat (C15, C35, D15, D35) (C 20 NE)		Gasolina	FWD	1998	85	115	09.87-08.91	■
KADETT E (T85) 09.84-12.93				Hatchback (Compact car-C Segment)				
1.8 S (C08, C48, D08, D48) (E 18 NV)	01/89-	Gasolina	FWD	1796	62	84	09.87-08.91	■
1.8 S (C08, C48, D08, D48) (E 18 NV)	01/89-	Gasolina	FWD	1796	62	84	09.87-08.91	■
1.8 S (C08, C48, D08, D48) (S 18 NV)	01/89-	Gasolina	FWD	1796	62	84	09.87-08.91	■
1.8 S (C08, C48, D08, D48) (S 18 NV)	01/89-	Gasolina	FWD	1796	62	84	09.87-08.91	■
1.8 i (C08, C48, D08, D48) (C 18 NT)	01/89-	Gasolina	FWD	1796	66	90	06.85-08.91	■
1.8 i (C08, C48, D08, D48) (C 18 NT)	01/89-	Gasolina	FWD	1796	66	90	06.85-08.91	■
1.8 i (C08, C48, D08, D48) (C 18 NZ)	01/89-	Gasolina	FWD	1796	66	90	06.85-08.91	■
1.8 i (C08, C48, D08, D48) (C 18 NZ)	01/89-	Gasolina	FWD	1796	66	90	06.85-08.91	■
2.0 GSI (C08, C48, D08, D48) (20 NE)	01/89-	Gasolina	FWD	1998	85	115	09.86-08.91	■
2.0 GSI (C08, C48, D08, D48) (20 NE)	01/89-	Gasolina	FWD	1998	85	115	09.86-08.91	■
2.0 GSI (C08, C48, D08, D48) (20 SEH)	01/89-	Gasolina	FWD	1998	95	129	09.86-08.91	■

LISTA DE APLICACIONES - BUYERS GUIDE

2.0 GSI (C08, C48, D08, D48) (20 SEH)	01/89-	Gasolina	FWD	1998	95	129	09.86-08.91	■	
2.0 GSI 16V (C08, C48, D08, D48) (20 XEJ)	01/89-	Gasolina	FWD	1998	110	150	03.88-08.91	■	
2.0 GSI 16V (C08, C48, D08, D48) (20 XEJ)	01/89-	Gasolina	FWD	1998	110	150	03.88-08.91	■	
2.0 GSI 16V Cat (C08, C48, D08, D48) (C 20 XE)	01/89-	Gasolina	FWD	1998	110	150	03.88-08.91	■	
2.0 GSI 16V Cat (C08, C48, D08, D48) (C 20 XE)	01/89-	Gasolina	FWD	1998	110	150	03.88-08.91	■	
2.0 GSI 16V (C08, C48, D08, D48) (20 XE)	01/89-	Gasolina	FWD	1998	115	156	12.87-08.91	■	
2.0 GSI 16V (C08, C48, D08, D48) (20 XE)	01/89-	Gasolina	FWD	1998	115	156	12.87-08.91	■	
KADETT E / MONZA E (T85) 09.84-12.93					Saloon (Compact car-C Segment)				
2.0 i (C19, D19) (20 NE)	01/89-	Gasolina	FWD	1998	85	115	09.87-05.92	■	
2.0 i (C19, D19) (20 NE)	01/89-	Gasolina	FWD	1998	85	115	09.87-05.92	■	
2.0 i (C19, D19) (20 SE)	01/89-	Gasolina	FWD	1998	85	115	09.87-05.92	■	
2.0 i (C19, D19) (20 SE)	01/89-	Gasolina	FWD	1998	85	115	09.87-05.92	■	
2.0 i Cat (C19, D19) (C 20 NE)	01/89-	Gasolina	FWD	1998	85	115	03.87-05.92	■	
2.0 i Cat (C19, D19) (C 20 NE)	01/89-	Gasolina	FWD	1998	85	115	03.87-05.92	■	
VECTRA A (J89) 04.88-12.95					Hatchback (Large family car-D Segment)				
2.0 (F68, M68) (C 20 NEF)		Gasolina	FWD	1998	74	100	04.88-09.89	■	
2.0 (F68, M68) (C 20 NEF)		Gasolina	FWD	1998	74	100	04.88-09.89	■	
2.0 i (F68, M68) (20 NE)		Gasolina	FWD	1998	85	115	09.88-10.90	■	
2.0 i (F68, M68) (20 NE)		Gasolina	FWD	1998	85	115	09.88-10.90	■	
2.0 i Cat (F68, M68) (C 20 NE)		Gasolina	FWD	1998	85	116	09.88-11.95	■	
2.0 i Cat (F68, M68) (C 20 NE)		Gasolina	FWD	1998	85	116	09.88-11.95	■	
2.0 i GT (F68, M68) (20 SEH)		Gasolina	FWD	1998	95	129	09.88-11.95	■	
2.0 i GT (F68, M68) (20 SEH)		Gasolina	FWD	1998	95	129	09.88-11.95	■	
2.0 i 16V (F68, M68) (X 20 XEV)		Gasolina	FWD	1998	100	136	08.92-08.95	■	
2.0 i 16V (F68, M68) (X 20 XEV)		Gasolina	FWD	1998	100	136	08.92-08.95	■	
2.0		Gasolina	FWD	1998	110	150	08.89-08.95	■	
2.0		Gasolina	FWD	1998	110	150	08.89-08.95	■	
2.0 i 16V (F68, M68) (20 XEJ)		Gasolina	FWD	1998	110	150	02.89-10.90	■	
2.0 i 16V (F68, M68) (20 XEJ)		Gasolina	FWD	1998	110	150	02.89-10.90	■	
2.0 i 16V Cat (F68, M68) (C 20 XE)		Gasolina	FWD	1998	110	150	02.90-11.95	■	
2.0 i 16V Cat (F68, M68) (C 20 XE)		Gasolina	FWD	1998	110	150	02.90-11.95	■	
VECTRA A (J89) 08.88-12.95					Saloon (Large family car-D Segment)				
1.8 S 4x4 (F19, M19) (E 18 NVR)		Gasolina	4WD	1796	65	88	01.89-07.89	■	
1.8 S 4x4 (F19, M19) (E 18 NVR)		Gasolina	4WD	1796	65	88	01.89-07.89	■	
2.0 (F19, M19) (C 20 NEF)		Gasolina	FWD	1998	74	100	09.88-09.89	■	
2.0 (F19, M19) (C 20 NEF)		Gasolina	FWD	1998	74	100	09.88-09.89	■	
2.0 i (F19, M19) (20 NE)		Gasolina	FWD	1998	85	115	09.88-10.90	■	
2.0 i (F19, M19) (20 NE)		Gasolina	FWD	1998	85	115	09.88-10.90	■	
2.0 i 4x4 (F19, M19) (20 NE)		Gasolina	4WD	1998	85	115	01.89-10.90	■	
2.0 i 4x4 (F19, M19) (20 NE)		Gasolina	4WD	1998	85	115	01.89-10.90	■	
2.0 i Cat (F19, M19) (C 20 NE)		Gasolina	FWD	1998	85	116	09.88-11.95	■	
2.0 i Cat (F19, M19) (C 20 NE)		Gasolina	FWD	1998	85	116	09.88-11.95	■	
2.0 i Cat 4x4 (F19, M19) (C 20 NE)		Gasolina	4WD	1998	85	116	01.89-11.95	■	
2.0 i Cat 4x4 (F19, M19) (C 20 NE)		Gasolina	4WD	1998	85	116	01.89-11.95	■	
2.0 i (F19, M19) (20 SEH)		Gasolina	FWD	1998	95	129	09.88-09.92	■	
2.0 i (F19, M19) (20 SEH)		Gasolina	FWD	1998	95	129	09.88-09.92	■	
2.0 i 4x4 (F19, M19) (20 SEH)		Gasolina	4WD	1998	95	129	08.89-07.92	■	
2.0 i 4x4 (F19, M19) (20 SEH)		Gasolina	4WD	1998	95	129	08.89-07.92	■	
2.0 i 16V (F19, M19) (X 20 XEV)		Gasolina	FWD	1998	100	136	08.92-08.95	■	

LISTA DE APLICACIONES - BUYERS GUIDE

2.0 i 16V (F19, M19) (X 20 XEV)		Gasolina	FWD	1998	100	136	08.92-08.95	■	
2.0 i 16V 4x4 (F19, M19) (X 20 XEV)		Gasolina	4WD	1998	100	136	06.94-11.95	■	
2.0 i 16V 4x4 (F19, M19) (X 20 XEV)		Gasolina	4WD	1998	100	136	06.94-11.95	■	
2000/GT 16V (F19, M19) (20 XEJ)		Gasolina	FWD	1998	110	150	01.89-06.94	■	
2000/GT 16V (F19, M19) (20 XEJ)		Gasolina	FWD	1998	110	150	01.89-06.94	■	
2000/GT 16V Cat (F19, M19) (C 20 XE)		Gasolina	FWD	1998	110	150	02.90-11.95	■	
2000/GT 16V Cat (F19, M19) (C 20 XE)		Gasolina	FWD	1998	110	150	02.90-11.95	■	
2000/GT 16V Cat 4x4 (F19, M19) (C 20 XE)		Gasolina	4WD	1998	110	150	02.90-11.95	■	
2000/GT 16V Cat 4x4 (F19, M19) (C 20 XE)		Gasolina	4WD	1998	110	150	02.90-11.95	■	
2000 16V 4x4 (F19, M19) (20 XEJ)		Gasolina	4WD	1998	110	150	01.89-10.90	■	
2000 16V 4x4 (F19, M19) (20 XEJ)		Gasolina	4WD	1998	110	150	01.89-10.90	■	
VECTRA B (J96) 09.95-07.03							Hatchback (Large family car-D Segment)		
2.0 DTI 16V (F68) (X 20 DTH)	-12/99	Diesel	FWD	1995	74	101	06.97-07.03	■	
2.0 DTI 16V (F68) (X 20 DTH)	-12/99	Diesel	FWD	1995	74	101	06.97-07.03	■	
2.0 DTI 16V (F68) (Y 20 DTH)	-12/99	Diesel	FWD	1995	74	101	06.97-07.03	■	
2.0 DTI 16V (F68) (Y 20 DTH)	-12/99	Diesel	FWD	1995	74	101	06.97-07.03	■	
VAUXHALL									
ASTRA Mk III (F) (T92) 03.91-12.98							Estate (Compact car-C Segment)		
2.0 i (C 20 NE)	-12/94	Gasolina	FWD	1998	85	115	09.91-02.98	■	
2.0 i (C 20 NE)	-12/94	Gasolina	FWD	1998	85	115	09.91-02.98	■	
ASTRA Mk III (F) (T92) 09.91-02.98							Hatchback (Compact car-C Segment)		
2.0 i (C 20 NE)	-12/94	Gasolina	FWD	1998	85	115	09.91-02.98	■	
2.0 i (C 20 NE)	-12/94	Gasolina	FWD	1998	85	115	09.91-02.98	■	
2.0 i 16V (C 20 XE)	-12/94	Gasolina	FWD	1998	110	150	09.91-02.98	■	
2.0 i 16V (C 20 XE)	-12/94	Gasolina	FWD	1998	110	150	09.91-02.98	■	
ASTRA Mk III (F) (T92) 09.91-09.98							Saloon (Compact car-C Segment)		
2.0 i (C 20 NE)	-12/94	Gasolina	FWD	1998	85	115	03.92-09.98	■	
2.0 i (C 20 NE)	-12/94	Gasolina	FWD	1998	85	115	03.92-09.98	■	
CAVALIER Mk III (J89) 08.88-11.95							Saloon (Large family car-D Segment)		
2.0 i (20 NE)		Gasolina	FWD	1998	85	115	09.88-10.90	■	
2.0 i (20 NE)		Gasolina	FWD	1998	85	115	09.88-10.90	■	
2.0 i (C 20 NE)		Gasolina	FWD	1998	85	115	09.88-10.90	■	
2.0 i (C 20 NE)		Gasolina	FWD	1998	85	115	09.88-10.90	■	
2.0 i 4x4 (20 NE)		Gasolina	4WD	1998	85	115	01.91-10.92	■	
2.0 i 4x4 (20 NE)		Gasolina	4WD	1998	85	115	01.91-10.92	■	
2.0 i 4x4 (C 20 NE)		Gasolina	4WD	1998	85	115	01.91-10.92	■	
2.0 i 4x4 (C 20 NE)		Gasolina	4WD	1998	85	115	01.91-10.92	■	
2.0 i Cat (20 NE)		Gasolina	FWD	1998	85	115	09.88-11.95	■	
2.0 i Cat (20 NE)		Gasolina	FWD	1998	85	115	09.88-11.95	■	
2.0 i Cat (C 20 NE)		Gasolina	FWD	1998	85	115	09.88-11.95	■	
2.0 i Cat (C 20 NE)		Gasolina	FWD	1998	85	115	09.88-11.95	■	
2.0 i 4x4 (20 SEH)		Gasolina	4WD	1998	95	129	09.88-08.92	■	
2.0 i 4x4 (20 SEH)		Gasolina	4WD	1998	95	129	09.88-08.92	■	
2.0 SRi (20 SEH)		Gasolina	FWD	1998	95	129	09.88-08.92	■	
2.0 SRi (20 SEH)		Gasolina	FWD	1998	95	129	09.88-08.92	■	
2.0 i 16V (C 20 XE)	-12/92	Gasolina	FWD	1998	110	150	09.88-11.95	■	
2.0 i 16V (C 20 XE)	-12/92	Gasolina	FWD	1998	110	150	09.88-11.95	■	
2.0 GSi		Gasolina	FWD	1998	115	156	09.89-08.92	■	
2.0 GSi		Gasolina	FWD	1998	115	156	09.89-08.92	■	

LISTA DE APLICACIONES - BUYERS GUIDE

CAVALIER Mk III CC (J89) 09.88-11.95					Hatchback (Large family car-D Segment)			
2.0 i (20 NE)		Gasolina	FWD	1998	85	115	09.88-10.92	■
2.0 i (20 NE)		Gasolina	FWD	1998	85	115	09.88-10.92	■
2.0 i 4x4 (89) (20 NE)		Gasolina	4WD	1998	85	115	09.91-10.92	■
2.0 i 4x4 (89) (20 NE)		Gasolina	4WD	1998	85	115	09.91-10.92	■
2.0 i 4x4 (89) (C 20 NE)		Gasolina	4WD	1998	85	115	09.91-10.92	■
2.0 i 4x4 (89) (C 20 NE)		Gasolina	4WD	1998	85	115	09.91-10.92	■
2.0 i Cat (20 NE)		Gasolina	FWD	1998	85	115	09.90-11.95	■
2.0 i Cat (20 NE)		Gasolina	FWD	1998	85	115	09.90-11.95	■
2.0 i Cat (C 20 NE)		Gasolina	FWD	1998	85	115	09.90-11.95	■
2.0 i Cat (C 20 NE)		Gasolina	FWD	1998	85	115	09.90-11.95	■
2.0 i 4x4		Gasolina	4WD	1998	95	129	09.88-09.92	■
2.0 i 4x4		Gasolina	4WD	1998	95	129	09.88-09.92	■
2.0 SRi (20 SEH)		Gasolina	FWD	1998	95	129	09.88-09.92	■
2.0 SRi (20 SEH)		Gasolina	FWD	1998	95	129	09.88-09.92	■
2.0 i 16V (C 20 XE)	-12/92	Gasolina	FWD	1998	110	150	09.88-11.95	■
2.0 i 16V (C 20 XE)	-12/92	Gasolina	FWD	1998	110	150	09.88-11.95	■